

▲ Read installation and operating instructions in their entirety before installing the pressure independent control valve!

Installation, initial operation, service and maintenance must only be carried out by qualified tradesmen!

The installation and operating instructions, as well as other valid documents must remain with the user of the system!

Content:

1. General information.....	1
2. Safety notes	1
3. Transport, storage, packaging	2
4. Technical data	2
5. Construction and function	2
6. Installation	4
7. Operation.....	5
8. Accessories	5
9. Maintenance.....	5
10. General terms and conditions of sale and delivery	5



Illus.1 Pressure independent control valve “Cocon QFC“

1 General information

1.1 Information regarding installation and operating instructions

These installation and operating instructions serve the installer to install the pressure independent control valve professionally and to put it into operation.

Other valid documents - manuals of all system components as well as valid technical rules - must be observed.

1.2 Keeping of documents

These installation and operating instructions should be kept by the user of the system.

OVENTROP GmbH & Co. KG
Paul-Oventrop-Straße 1
D-59939 Olsberg
Telefon +49(0)2962 82-0
Telefax +49(0)2962 82-400
E.Mail mail@oventrop.de
Internet www.oventrop.com

Subject to technical modification without notice.

167614981 11/2016

1.3 Copyright

The installation and operating instructions are copyrighted.

1.4 Symbol explanation

Safety guidelines are displayed by symbols. These guidelines are to be observed to avoid accidents, damage to property and malfunctions.

▲ DANGER DANGER indicates a hazardous situation which, if not avoided, will result in death or serious injury.

▲ WARNING WARNING indicates a hazardous situation which, if not avoided, could result in death or serious injury.

▲ CAUTION CAUTION indicates a hazardous situation which, if not avoided, may result in minor or moderate injury.

NOTICE NOTICE indicates a situation which, if not addressed, may result in property damage.

2 Safety notes

2.1 Correct use

Safety in operation is only guaranteed if the valve is used correctly.

The pressure independent control valve “Cocon QFC/QGC” is designed to be installed in heating and cooling systems with a closed water circuit (e.g. central or underfloor heating systems, fan coil units, chilled ceilings, fan convectors etc.). It operates as an automatic flow and differential pressure independent control (hydraulic balancing) and can control another variable (e.g. room thermostat) by modifying the flow rate in conjunction with actuators.

Any use of the “Cocon QFC/QGC” outside of the above applications will be considered as non-compliant and misuse. Claims of any kind against the manufacturer and/or his authorised representatives due to damages caused by incorrect use cannot be accepted.

The observance of the installation and operating instructions is part of the compliance terms.

2.2 Possible dangers at the installation location

▲ WARNING Heavy valve
Wear safety shoes to protect your feet during installation!

▲ WARNING Hot surfaces
The valve may get very hot during operation. Do not touch without safety gloves.

▲ WARNING Sharp edges
The valve's threads are sharp. Do not touch without safety gloves.

▲ WARNING Small pieces
Store and install the valve out of reach of children.

▲ WARNING Allergies
Don't touch the valve and avoid any contact if allergies against the used materials are known.

The case of an external fire has not been taken into consideration when constructing the valve.

3 Transport, storage, packaging

3.1 Transport inspection

Upon receipt check delivery for any damages caused during transit.

Any damage must be reported immediately upon receipt.

3.2 Storage

The pressure independent control valve "Cocon QFC/QGC" must only be stored under the following conditions:

- Do not store in open air, but dry and free from dust.
- Do not expose to aggressive fluids or heat sources.
- Protect the valve from direct sunlight and mechanical agitation.
- Storage temperature: -4 up to 131 °F (-20 up to +55 °C), max. relative humidity of air: 95 %

⚠ CAUTION

- Be cautious of external forces (e.g. impacts, vibrations etc.).
- Do not use external components (e.g. handwheels, pressure test points, flanges) for other than their intended purpose.
- Use appropriate equipment when handling valve.

4 Technical data

4.1 Performance data

Max. working temperature: 248 °F (120 °C)

Min. working temperature: 14 °F (-10 °C)

Max. working pressure: 232 psi (1600 kPa)

Max. differential pressure: 58 psi (400 kPa)

Fluid: Water or Water/glycol (max. 50%), ph-value 6.5-10

Item no.	DN	Size	Weight [lbs]	Control range [GPM] (min.-max.)	cvs value	Differential pressure p1-p3 (min.-max.)
1676149	40	1½"	22	6.6 - 33	13.3	2.9 psi - 58 psi (20 kPa - 400 kPa)
1676150	50	2"	29	8.8 - 35	13.9	
16761/6251	65	2½"	60/47	22 - 90	41.6	
16761/6252	80	3"	71/58	33 - 130	64.7	
16761/6253	100	4"	100/82	55 - 220	92.5	
1676154	125	5"	157	119 - 468	173.4	
1676155	150	6"	188	158 - 660	254.3	
1676156	200	8"	331	242 - 837	312.1	

* Recommended lowest setting; starting from the set value, the flow rate can be reduced up to complete isolation.

Data for actuator connection:

	DN 40/50	DN 65/80/100	DN 125	DN 150/200
Piston stroke	0.39" (10 mm)	0.79" (20 mm)	1.42" (36 mm)	1.57" (40 mm)
Closing pressure	112.4 lbf (500 N)	191.1 lbf (850 N)	449.6 lbf (2000 N)	449.6 lbf (2000 N)

⚠ DANGER

Operate only within stated pressure and temperature ranges.

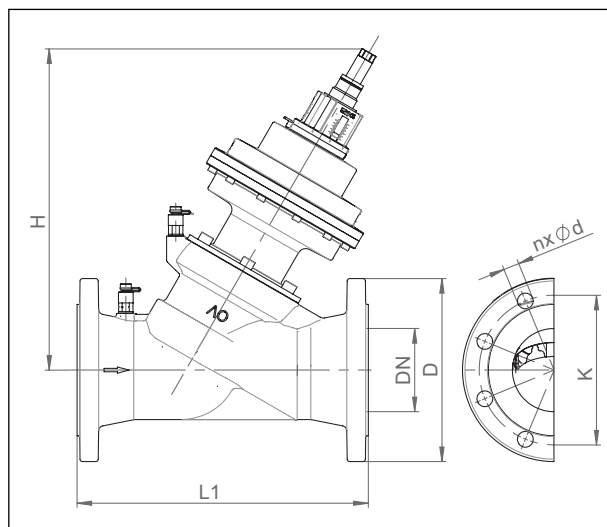
4.2 Materials

Cast iron body, seals made of EPDM or PTFE, inner parts made of brass resistant to dezincification, maintenance-free stem seal due to double O-ring, plastic parts made of PA6.

4.3 Dimensions / connection dimensions

4.3.1 "Cocon QFC"

Bolt circle for flanged connection according to ANSI 150.



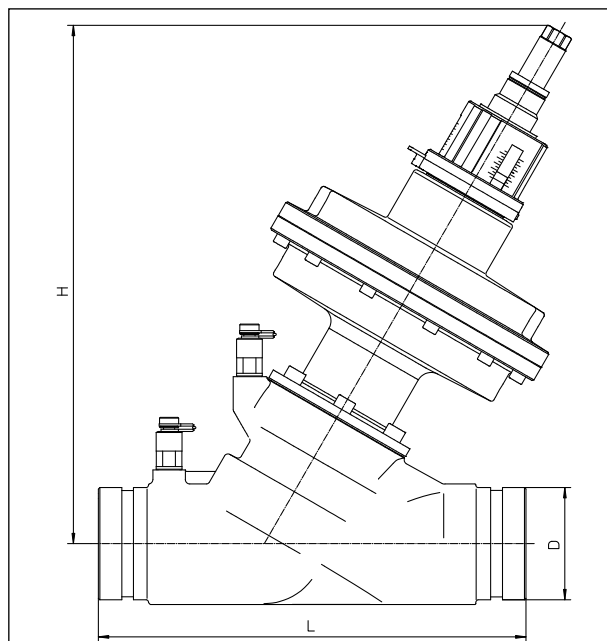
DN	L1	H	D	K	n x Ød
40	7.9	9.8	5	3.9	4 x 0.6
50	9.1	10.6	6	4.8	4 x 0.7
65	11.4	14.6	7.3	5.5	4 x 0.7
80	12.2	15.2	7.9	6	4 x 0.7
100	13.8	15.9	8.7	7.5	8 x 0.7
125	15.7	20.5	9.8	8.5	8 x 0.9
150	18.9	20.5	11.2	9.5	8 x 0.9
200	23.6	22.2	13.4	11.8	8 x 0.9

4.3.2 "Cocon QGC"

Groove connections for couplings

Suitable for couplings of the following systems:

- Victaulic
- Grinnell

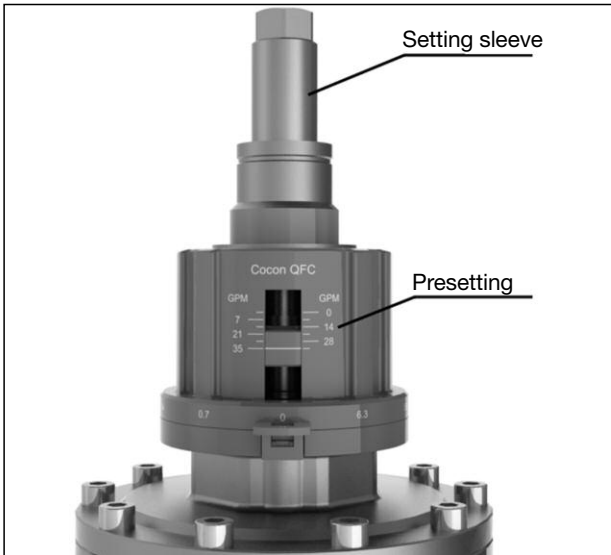


DN	L	D	H
65	11.42	2,87	7.3
80	12.20	3.50	7.9
100	13.78	4.50	8.7

5 Construction and function

5.1 Survey and functional description

The pressure independent control valve "Cocon QFC/QGC" is a valve combination consisting of an automatic, differential pressure independent flow regulator (with manual nominal value setting) and a regulating valve. The regulating valve can be equipped with an actuator.



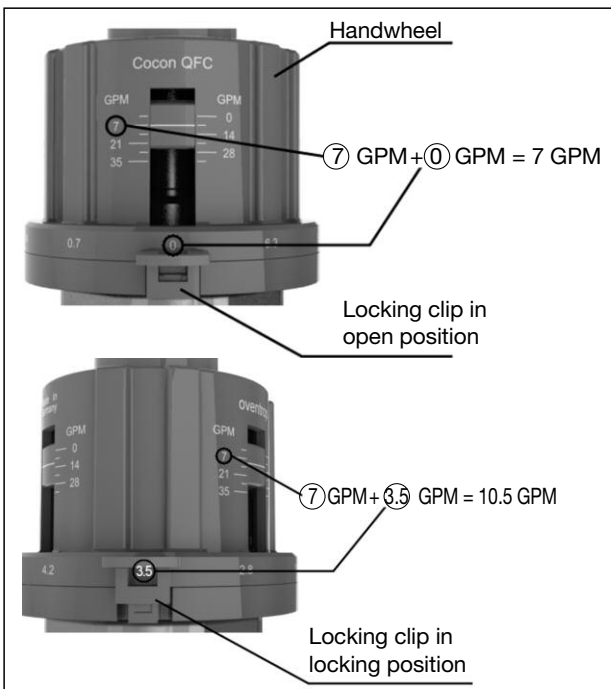
Illus. 2 Setting sleeve (must be unscrewed before modification of the presetting)

The setting sleeve must be unscrewed before modification of the flow value.

Presetting is limited to the maximum possible flow volume. The presetting and the maximum flow volume are determined by turning the handwheel.

The presetting can be secured and lead locked with a locking clip.

If the valve is operated without actuator, the required presetting can be fixed with the setting sleeve. The pressure independent control valve "Cocon QFC/QGC" now operates as flow regulator. The setting sleeve has to be hand tightened until stop for this purpose.

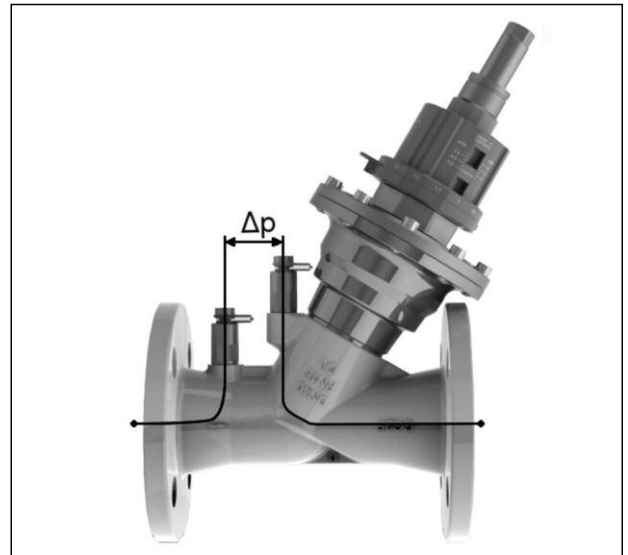


Illus. 3 Example settings

When mounting an actuator, the corresponding installation instructions must be observed!

The flow-meter "OV-DMC 2" can be connected to the pressure test points. This will determine if the valve is working within the control range. The pump setting can be optimised by measuring the differential pressure.

For this purpose, the pump head is reduced until the hydraulically underprivileged valves are just working within the control range.

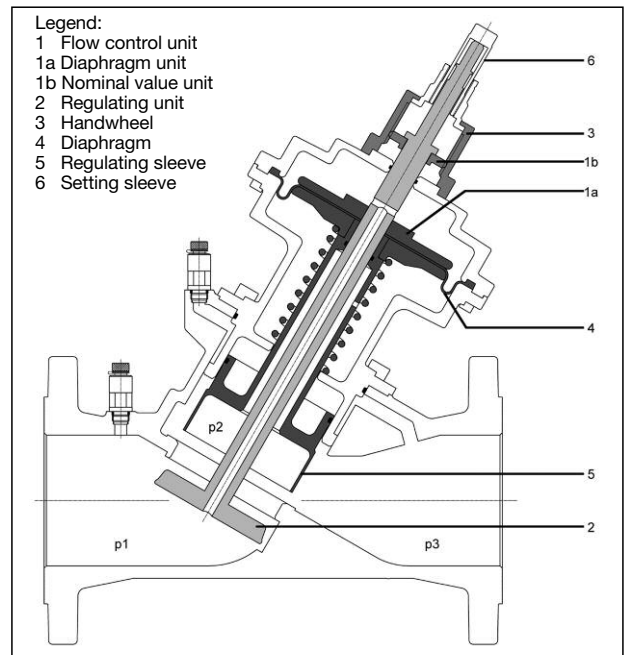


Illus. 4 Differential pressure

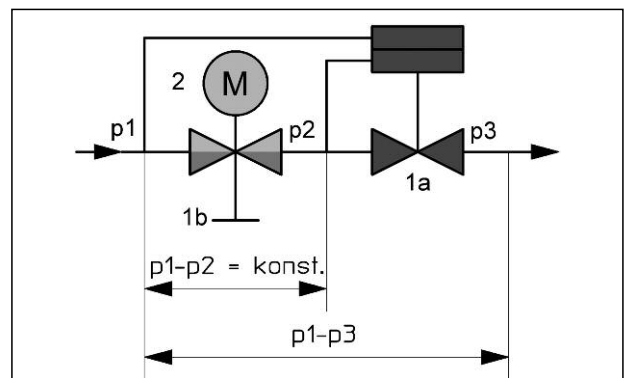
With a flow-meter connected (e.g. OV-DMC2) the differential pressure is measured across the valve.

The illustrated section of the "Cocon QFC/QGC" valve (illus. 5) shows three pressure ranges. "p1" is the inlet and "p3" the outlet pressure of the valve. "p2" is the working pressure actuating the diaphragm unit.

The differential pressure "p1" - "p2" is maintained at a constant level by the integrated diaphragm unit (pos. 1a) of the pressure independent control valve.



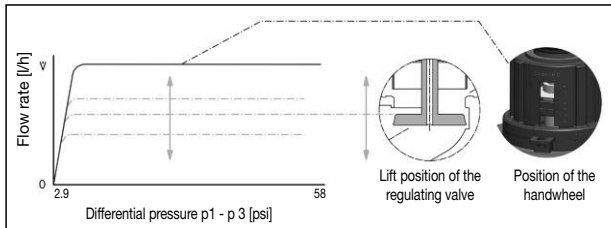
Illus. 5 Construction of the "Cocon QFC/QGC" valve



Illus. 6 Function principle of the "Cocon QFC/QGC" valve

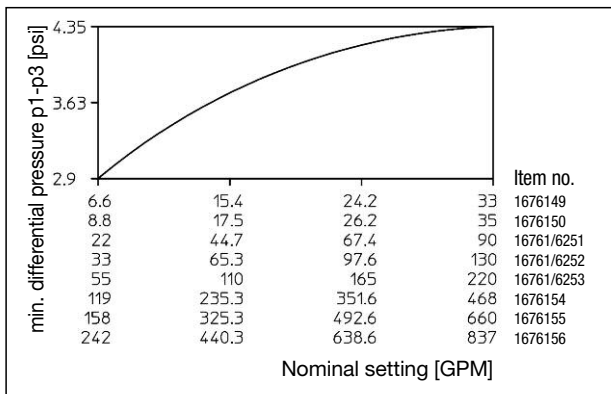
The integrated diaphragm unit (pos. 1a) maintains the differential pressure “p1” - “p2” at a constant level not only across the regulating unit (pos. 2) activated by the actuator but also across the nominal value unit which can be set to a maximum flow value (pos. 1b).

Even were high differential pressure variations “p1” - “p3” occur, e.g. if sections of the system are activated or inactivated, the differential pressure “p1” - “p2” is kept at a constant level. This way, the valve authority of the “Cocon QFC/QGC” valves amounts to (a=1). Even during low demand periods with steady control (e.g. in conjunction with 0-10 V actuators), the valve authority within the effective valve lift amounts to 100% (a=1).



Illus. 7 Flow characteristic line for different presetting

The minimum required differential pressure “p1” - “p3” across the valve can be obtained from the below chart. As for valves with integrated flow control, the required minimum differential pressure changes depending on the nominal setting. The mathematical interrelationship is considered in the chart.

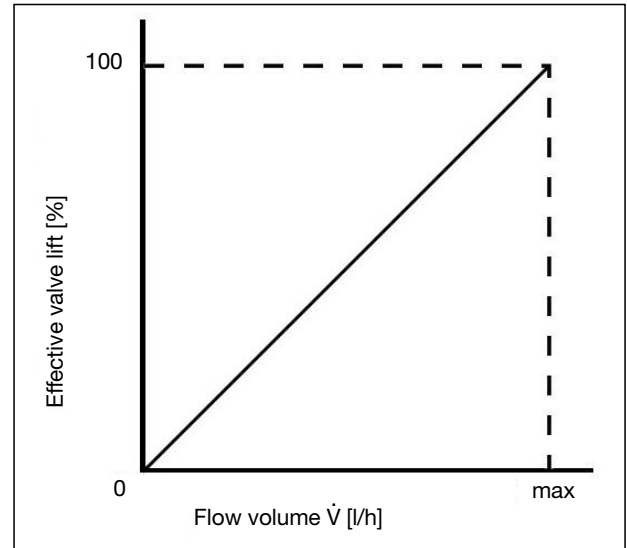


Illus. 8

As soon as the measured differential pressure is identical with or higher than the minimum differential pressure “p1” - “p3”, the valve is working within the control range.

The maximum flow rate (\dot{V}) within the control range (2.9 - 58 psi) is set with the help of the handwheel. During low demand periods, the flow rate is regulated to the required value by the lift position of the regulating valve.

The pressure independent control valve “Cocon QFC/QGC” has a linear characteristic line within the active valve lift. This is advantageous when using actuators which also have a linear stroke behaviour.



Illus. 9 Characteristic line of the valve “Cocon QFC/QGC”

5.2 Markings

Details of the CE marking on the valve handwheel

CE CE marking

Information on the valve body:

OV Manufacturer

DN Nominal size

PN Nominal pressure

GJL250 / GG25 Valve body material

D in mm outer diameter D of groove connection

5.3 Application

Oventrop pressure independent control valves “Cocon QFC/QGC” are used for flow control in central heating and chilled ceiling systems with circulation pump. Room temperature control can e.g. be carried out by use of room thermostats and actuators.

6 Installation

Before installing the valve, the pipework has to be flushed thoroughly. Installation is possible in any position (horizontal, oblique or vertical, in ascending or descending sections; electric actuators may not be installed vertically downwards – the installation instructions of the actuator are to be observed). It is important to note that the direction of flow must conform to the arrow on the valve body and that the valve must be installed with $L = 3 \times \varnothing$ of straight pipe in the upstream side and with $L = 2 \times \varnothing$ in the downstream pipe. Any tension which could be transferred through the pipework must be avoided. After installation, the handwheel and measuring connection must be easily accessible.

NOTICE

- Do not use any lubricant or oil when installing the valve as these may destroy the valve seals. If necessary, all dirt particles and lubricant or oil residues must be removed from the pipework by flushing the latter.
- When choosing the operating fluid, the latest technical development has to be considered (e.g. VDI 2035).
- A strainer has to be installed in front of the valve.
- Safeguard from external forces (e.g. impacts, or vibrations).

Once installation is completed, check all installation points for leaks.

7 Operation

7.1 Deaeration of the system

Before initial operation, the system has to be filled and bled with due consideration of the permissible working pressures.

7.2 Setting of the flow rate

The max. flow volume can be set with the help of the protected presetting at the handwheel (see illus. 3).

7.3 Control by use of actuators

To control the heating/cooling system during part load conditions, actuators must be mounted onto the "Cocon QFC/QGC" valves, which will vary the flow rate depending on the controlled variable (e.g. room temperature).

7.4 Isolation

The valve can be isolated manually by turning the presetting to the right until stop.

7.5 Correction factors for mixtures of water and glycol

The correction factors of the antifreeze liquid manufacturers have to be taken into consideration when setting the flow rate.

8 Accessories

To determine if the valve operates within the control range, Oventrop offers two measuring gauges:
Oventrop measuring system "OV-DMC 2"
Oventrop measuring system "OV-DMPC"

The pressure independent control valves "Cocon QFC/QGC" can be used with the following Oventrop actuators:

Actuator with squeeze connection (DN 40 / 50) 24 V, steady 0 – 10 V	1158010
Actuator with thread connection (DN 40 - 100) 24 V, steady 0 - 10 V and 4 – 20 mA	1158020
Actuator with thread connection (DN 40 - 100) 24 V, steady 0 - 10 V and 4 – 20 mA, with pull back spring (opening with current "off")	1158021
Actuator with thread connection (DN 40 - 100) 24 V, steady 0 - 10 V and 4 – 20 mA, with pull back spring (closing with current "off")	1158022
Actuator with squeeze connection (DN 125 - 200) 24 V, steady 0 - 10 V and 4 – 20 mA	1158030
Actuator with squeeze connection (DN 125 - 200) 24 V, steady 0 - 10 V and 4 – 20 mA, with pull back spring (opening with current "off")	1158031
Actuator with squeeze connection (DN 125 - 200) 24 V, steady 0 - 10 V and 4 – 20 mA, with pull back spring (closing with current "off")	1158032

The accessories can be found in the catalogue.

9 Maintenance

The valve has to be serviced if it malfunctions.

10 General terms and conditions of sale and delivery

Oventrops general terms and conditions of sale and delivery valid at the time of supply and applicable.

▲ Lire intégralement la notice d'installation et d'utilisation avant le montage du robinet!

Le montage, la mise en route, le service et l'entretien ne doivent être effectués que par des professionnels qualifiés!

Remettre la notice d'installation et d'utilisation ainsi que tous les documents de référence à l'utilisateur de l'installation!

Contenu:

1. Généralités.....	6
2. Consignes de sécurité.....	6
3. Transport, stockage et emballage.....	7
4. Données techniques.....	7
5. Conception et fonctionnement.....	7
6. Montage.....	9
7. Service	10
8. Accessoires	10
9. Entretien.....	10
10. Conditions générales de vente et de livraison	10



Fig. 1 Vanne de régulation indépendante de la pression «Cocon QFC»

1 Généralités

1.1 Informations sur la notice d'installation et d'utilisation

Cette notice d'installation et d'utilisation a pour but d'aider le professionnel à installer et mettre en service le robinet selon les règles de l'art.

Les autres documents de référence – les notices de tous les composants du système ainsi que les règles techniques en vigueur - sont à respecter.

1.2 Conservation des documents

Cette notice d'installation et d'utilisation doit être conservée par l'utilisateur de l'installation pour consultation ultérieure.

1.3 Protection de la propriété intellectuelle

Cette notice d'installation et d'utilisation est protégée par le droit de la propriété intellectuelle.

1.4 Signification des symboles

Les consignes de sécurité sont identifiées par des symboles. Ces consignes doivent être respectées pour éviter des accidents, des dégâts matériels et des dysfonctionnements.

▲ DANGER DANGER signifie une situation immédiatement dangereuse qui mènera à la mort ou provoquera des blessures graves en cas de non-observation des consignes de sécurité.

▲ AVERTISSEMENT AVERTISSEMENT signifie une situation potentiellement dangereuse qui peut mener à la mort ou provoquer des blessures graves en cas de non-observation des consignes de sécurité.

▲ PRUDENCE PRUDENCE signifie une situation potentiellement dangereuse qui peut entraîner des blessures minimales ou légères en cas de non-observation des consignes de sécurité.

ATTENTION ATTENTION signifie des dégâts matériels qui peuvent résulter de la non-observation des consignes de sécurité.

2 Consignes de sécurité

2.1 Utilisation conforme

La sûreté de fonctionnement du robinet n'est garantie que s'il est affecté à l'utilisation prévue.

La vanne de régulation indépendante de la pression «Cocon QFC/QGC» est utilisée dans des installations de chauffage et de rafraîchissement avec circuits fermés (par ex. installations de chauffage central, planchers chauffants, ventilo-convecteurs, climatiseurs, plafonds rafraîchissants etc.) pour le réglage automatique du débit (équilibre hydraulique) et le réglage d'une valeur additionnelle (par ex. température ambiante) par une modification du débit à l'aide de moteurs.

Toute autre utilisation du robinet «Cocon QFC/QGC» est interdite et réputée non conforme.

Les revendications de toute nature à l'égard du fabricant et/ou ses mandataires pour des dommages résultant d'une utilisation non conforme ne seront pas acceptées.

L'utilisation conforme inclut notamment l'application des recommandations de la notice d'installation et d'utilisation.

2.2 Risques liés au lieu d'installation

▲ AVERTISSEMENT Robinet lourd
Porter des chaussures de protection pendant le montage!

▲ AVERTISSEMENT Surfaces chaudes
En service, le robinet peut prendre la température du fluide. Ne pas toucher sans gants de protection.

▲ AVERTISSEMENT Arêtes vives
Les filetages présentent des arêtes vives. Ne pas toucher sans gants de protection.

▲ AVERTISSEMENT Petits accessoires
Stocker et installer le robinet hors de portée des enfants.

▲ AVERTISSEMENT Allergies
Ne pas toucher le robinet en cas d'allergies aux matériaux utilisés.

Le cas d'un incendie externe n'a pas été pris en considération lors de la conception du robinet.

3 Transport, stockage et emballage

3.1 Inspection après transport

Contrôler la livraison immédiatement après réception et avant le montage. Veiller à ce qu'elle soit complète et sans dommages liés au transport. Si des dommages ou d'autres défauts sont constatés, n'accepter la marchandise que sous réserve. Emettre une réclamation en respectant les délais applicables.

3.2 Stockage

Ne stocker la vanne de régulation indépendante de la pression «Cocon QFC/QGC» que dans les conditions suivantes:

- Dans un lieu sec, propre et abrité.
- Non exposé à des agents agressifs.
- A l'abri du rayonnement solaire ou de sources de chaleur.
- Protégé des vibrations mécaniques excessives.
- A une température de stockage de -4 °F à +131 °F (-20 °C à +55 °C)
- A une humidité relative max. de l'air de 95%.

▲ PRUDENCE

- Protéger des nuisances extérieures (chocs, secousses, vibrations etc.).
- Des composants externes, tels que poignées manuelles, prises de pression ou brides ne doivent pas être utilisés à d'autres fins.
- Utiliser de l'équipement approprié lors de la manipulation du robinet.

4 Données techniques

4.1 Caractéristiques

Température de service max.: 248 °F (120 °C)

Température de service min.: 14 °F (-10 °C)

Pression de service max.: 232 psi (1600 kPa)

Pression différentielle max.: 58 psi (400 kPa)

Fluides: Eau ou mélanges d'eau et d'éthylène / propylène glycol (max. 50%), valeur ph 6.5-10

Réf.	DN	Dim.	Poids [lbs]	Plage de réglage (GPM) (min.-max.)	Valeur cvs	Pression différentielle p1-p3 (min.-max.)
1676149	40	1½"	22	6.6 - 33	13.3	2.9 psi - 58 psi (20 kPa - 400 kPa)
1676150	50	2"	29	8.8 - 35	13.9	
16761/6251	65	2½"	60/47	22 - 90	41.6	
16761/6252	80	3"	71/58	33 - 130	64.7	
16761/6253	100	4"	100/82	55 - 220	92.5	
1676154	125	5"	157	119 - 468	173.4	
1676155	150	6"	188	158 - 660	254.3	
1676156	200	8"	331	242 - 837	312.1	

* Valeur de réglage la plus petite recommandée; partant de la valeur de réglage, le débit peut être réduit jusqu'à la fermeture complète.

Données pour le raccordement d'un moteur:

	DN 40/50	DN 65/80/100	DN 125	DN 150/200
Levée de réglage	0.39" (10 mm)	0.79" (20 mm)	1.42" (36 mm)	1.57" (40 mm)
Force de fermeture	112.4 lbf (500 N)	191,1 lbf (850 N)	449.6 lbf (2000 N)	449.6 lbf (2000 N)

▲ DANGER

Fonctionnement uniquement dans les plages de pression et de température indiquées.

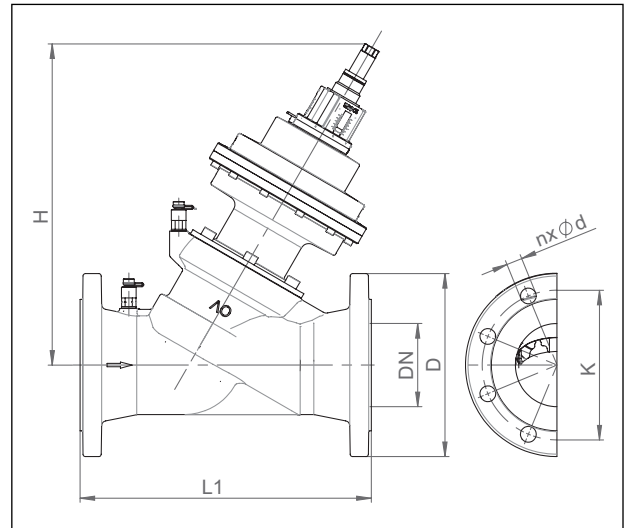
4.2 Matériaux

Corps en fonte grise, joints en EPDM ou PTFE, pièces intérieures en laiton résistant au dézingage, joint de la tige sans entretien grâce à un double joint torique en EPDM, pièces plastiques en PA6.

4.3 Dimensions/cotes de raccordement

4.3.1 «Cocon QFC»

Brides avec entraxe de perçage selon ANSI 150



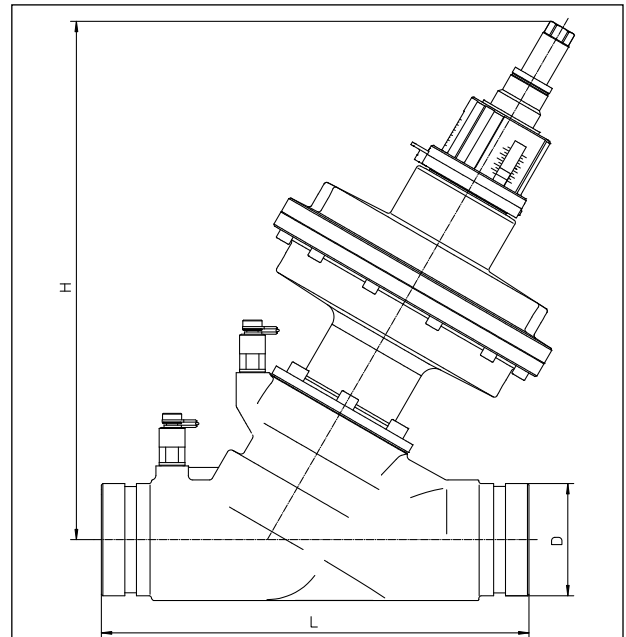
DN	L1	H	D	K	n x Ød
40	7.9	9.8	5	3.9	4 x 0.6
50	9.1	10.6	6	4.8	4 x 0.7
65	11.4	14.6	7.3	5.5	4 x 0.7
80	12.2	15.2	7.9	6	4 x 0.7
100	13.8	15.9	8.7	7.5	8 x 0.7
125	15.7	20.5	9.8	8.5	8 x 0.9
150	18.9	20.5	11.2	9.5	8 x 0.9
200	23.6	22.2	13.4	11.8	8 x 0.9

4.3.2 «Cocon QGC»

Raccords rainurés pour colliers d'accouplement

Convient aux colliers d'accouplement des systèmes suivants:

- Victaulic
- Grinnell



DN	L	D	H
65	11.42	2,87	7.3
80	12.20	3.50	7.9
100	13.78	4.50	8.7

5 Conception et fonctionnement

5.1 Aperçu / Description du fonctionnement

La vanne de régulation indépendante de la pression «Cocon QFC/QGC» se compose d'un régulateur de débit automatique, indépendant de la pression différentielle (valeur nominale à réglage manuel) et d'un robinet de régulation. Le robinet de régulation peut être équipé d'un moteur.

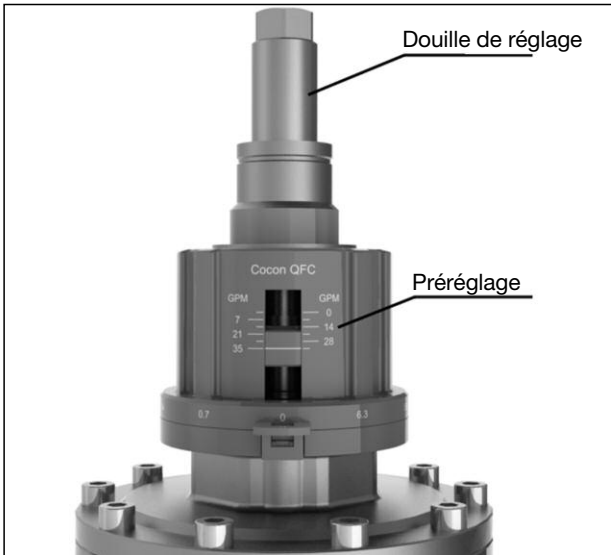


Fig. 2 Douille de réglage (doit être dévissée avant modification du pré réglage)

La douille de réglage doit être dévissée avant modification du débit.

Le débit maximal possible est limité par le pré réglage. Le pré réglage et donc le débit maximal est déterminé en tournant la poignée manuelle.

Le pré réglage peut être protégé et plombé à l'aide du circlip. Si le robinet est installé sans moteur, la valeur de pré réglage souhaitée peut être fixée à l'aide de la douille de réglage et la vanne de régulation indépendante de la pression «Cocon QFC/QGC» fonctionne comme régulateur de débit. A cette fin, la douille de réglage doit être vissée à la main jusqu'en butée.

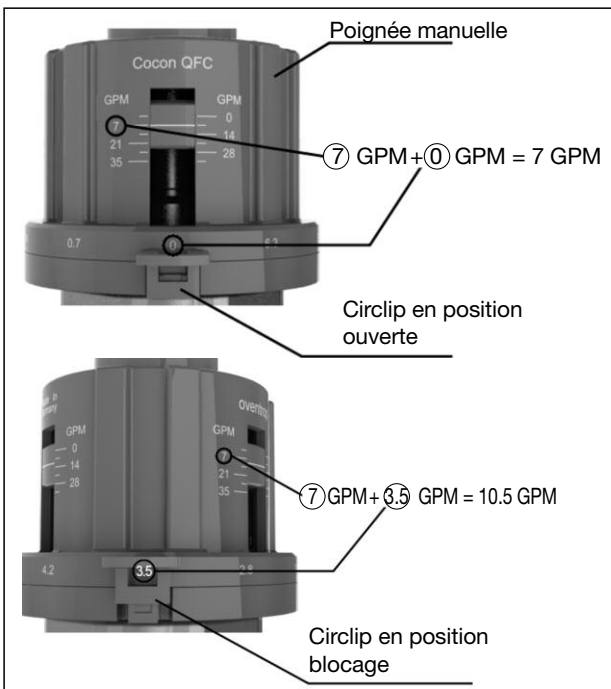


Fig. 3 Exemples de réglage

Lors du montage d'un moteur, la notice d'installation et d'utilisation de celui-ci est à respecter!

L'appareil de mesure de débit «OV-DMC 2» peut être raccordé aux prises de pression pour vérifier si le robinet fonctionne dans sa plage de réglage. Le réglage du circulateur peut être optimisé en mesurant la pression différentielle. Pour ce faire, la hauteur de refoulement du circulateur est réduite jusqu'à ce que les robinets hydrauliquement les plus défavorisés fonctionnent uniquement dans la plage de réglage.

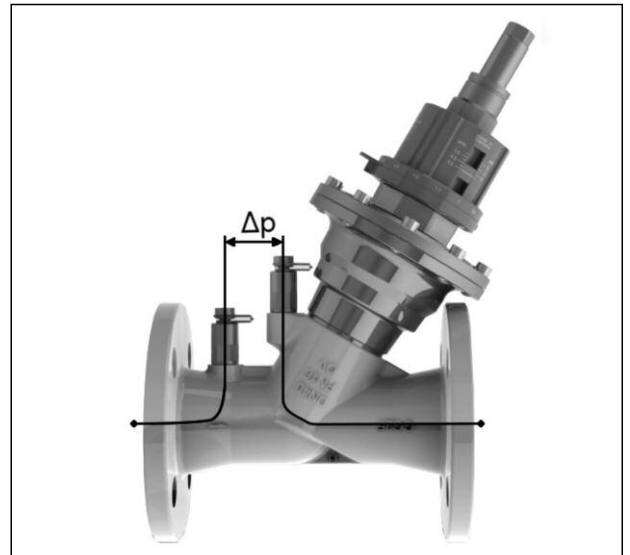


Fig. 4 Pression différentielle

Avec l'appareil de mesure de débit «OV-DMC 2» raccordé, la pression différentielle est mesurée à travers le robinet.

La vue en coupe du robinet «Cocon QFC/QGC» (fig. 5) montre trois plages de pression. «p1» est la sortie d'entrée et «p3» la pression de sortie du robinet. «p2» est la pression agissant dans la membrane.

La pression différentielle «p1» - «p2» est réglée sur une valeur constante par la vanne de régulation indépendante de la pression «Cocon QFC/QGC» à l'aide de l'unité à membrane intégré (pos. 1a).

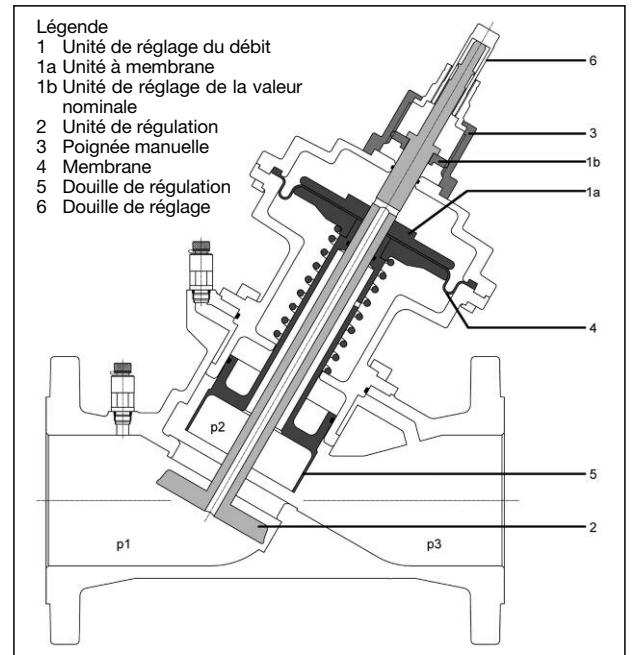


Fig. 5 Configuration du robinet «Cocon QFC/QGC»

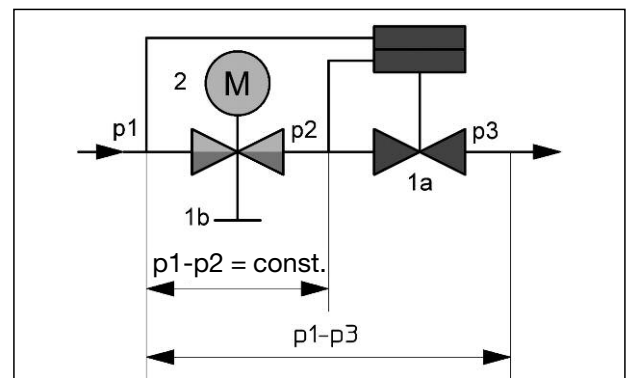


Fig. 6 Principe de fonctionnement du robinet «Cocon QFC/QGC»

L'unité à membrane intégrée (pos. 1a) maintient la pression différentielle «p1» - «p2» à une valeur constante non seulement à travers l'unité de régulation (2) commandée par le moteur mais aussi à travers l'unité de réglage de la valeur nominale réglable (pos. 1b) sur une valeur de débit maximale. Même en cas de fluctuations fortes des pressions différentielles «p1» - «p3» qui peuvent se produire lors de la mise en service ou hors service de tronçons de l'installation, la pression différentielle «p1» - «p3» est maintenue à un niveau constant. De ce fait, l'autorité du robinet s'élève à 100% (a=1). Même en régime intermédiaire avec réglage progressif (par ex. en combinaison avec des moteurs 0-10 V), l'autorité du robinet s'élève à 100% (a=1) dans la levée effective du robinet.

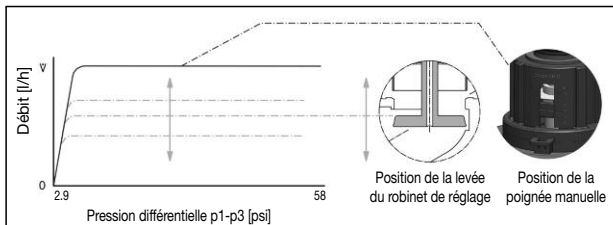


Fig. 7 Courbe de fonctionnement du débit pour différents pré-réglages

La pression différentielle minimum nécessaire «p1» - «p3» à travers le robinet peut être tirée du diagramme ci-dessous. Pour les robinets avec réglage du débit intégré, la pression différentielle minimum nécessaire change en fonction du réglage de la valeur de consigne. La corrélation mathématique valable a été considérée dans le diagramme

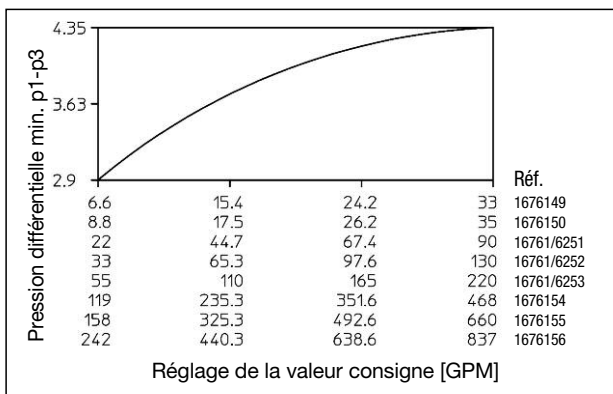


Fig. 8

Dès que la pression différentielle mesurée est identique ou supérieure à la pression différentielle minimale «p1» - «p3», le robinet fonctionne dans la plage de réglage. Le débit maximal (V) dans la plage de réglage (2.9 – 58 psi) du robinet se règle à l'aide de la poignée manuelle. En régime intermédiaire, le débit est réglé sur la valeur nécessaire par la position de la levée du robinet de régulation. Le robinet «Cocon QFC/QGC» dispose d'une courbe de fonctionnement linéaire dans la levée effective du robinet ce qui est avantageux lors de l'utilisation de moteurs qui ont un comportement linéaire de la levée aussi.

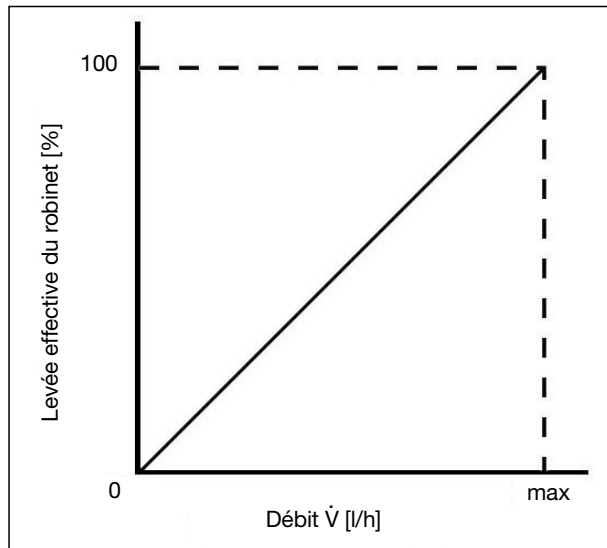


Fig. 9 Courbe de fonctionnement du robinet «Cocon QFC/QGC»

5.2 Marquages

Détails du marquage CE sur la poignée manuelle du robinet
 CE Marquage CE

Indications sur le corps:

OV Fabricant
DN Dimension
PN Pression nominale
GJL250 / GG25 Matériel du corps du robinet
D in mm Diamètre extérieur D du raccord rainuré

5.3 Application

La vanne de régulation indépendante de la pression Oventrop «Cocon QFC/QGC» s'utilise pour le réglage du débit dans des installations de chauffage central et de plafonds rafraîchissants avec circulateur. La régulation de la température ambiante peut par ex. être effectuée à l'aide de thermostats d'ambiance et moteurs.

6 Montage

Rincer à fond la tuyauterie avant le montage du robinet. Le robinet se monte dans n'importe quelle position (horizontale, oblique ou verticale, en montée et en descente; des moteurs électriques ne doivent pas être montés verticalement tête vers le bas – la notice d'installation du moteur est à respecter). Lors du montage il faut veiller à ce que le sens de circulation corresponde à celui de la flèche sur le corps du robinet et qu'un tuyau droit de $L = 3 \times \varnothing$ soit installé en amont du robinet et un tuyau de $L = 2 \times \varnothing$ en aval du robinet. Le robinet ne doit pas être soumis à des tensions par la tuyauterie.

La poignée manuelle et les raccordements de mesure doivent être facilement accessibles après le montage.

NOTE

- Ne pas utiliser de graisse ou d'huile lors du montage, celles-ci peuvent endommager les joints. Si nécessaire, des impuretés ou résidus de graisse ou d'huile doivent être éliminés de la tuyauterie par rinçage.
- Choix du fluide de service selon l'état de l'art actuel (par ex. VDI 2035).
- Un filtre doit être monté en amont du robinet.
- Protéger des nuisances extérieures (chocs, secousses, vibrations etc.).

Après le montage, contrôler l'étanchéité de tous les points de raccordement.

7 Service

7.1 Purge de l'installation

L'installation doit être remplie et purgée avant la mise en service en respectant les pressions de service admissibles.

7.2 Réglage du débit

Le débit maximal peut être réglé à l'aide du pré-réglage protégé sur la poignée manuelle.

7.3 Réglage à l'aide de moteurs

Pour le réglage du système de chauffage/rafraîchissement en régime intermédiaire, les robinets «Cocon QFC/QGC» doivent être équipés de moteurs réglant le débit en fonction de la grandeur réglée (par ex. température ambiante).

7.4 Fermeture

Pour fermer le robinet, tourner le pré-réglage vers la droite jusqu'en butée.

7.5 Facteurs de correction pour mélanges eau-glycol

Les facteurs de correction des fabricants d'antigel doivent être respectés lors du réglage du débit.

8 Accessoires

Pour déterminer si le robinet fonctionne dans la plage de réglage, Oventrop propose deux appareils de mesure:

Système de mesure Oventrop «OV-DMC 2»

Système de mesure Oventrop «OV-DMPC»

La vanne de régulation indépendante de la pression «Cocon QFC/QGC» peut être combiné avec les moteurs Oventrop suivants:

Moteur avec fixation à griffes (DN 40 / 50) 1158010
24 V, proportionnel 0 – 10 V

Moteur avec filetage raccordement (DN 40 - 100) 1158020
24 V, proportionnel 0 – 10 V, 4 – 20 mA

Moteur avec filetage raccordement (DN 40 - 100) 1158021
24 V, proportionnel 0 – 10 V, 4 – 20 mA,
avec ressort de rappel (ouvrant hors courant)

Moteur avec filetage raccordement (DN 40 - 100) 1158022
24 V, proportionnel 0 – 10 V, 4 – 20 mA,
avec ressort de rappel (fermant hors courant)

Moteur avec fixation à griffes (DN 125 - 200) 1158030
24 V, proportionnel 0 – 10 V, 4 – 20 mA

Moteur avec fixation à griffes (DN 125 - 200) 1158031
24 V, proportionnel 0 – 10 V, 4 – 20 mA,
avec ressort de rappel (ouvrant hors courant)

Moteur avec fixation à griffes (DN 125 - 200) 1158032
24 V, proportionnel 0 – 10 V, 4 – 20 mA,
avec ressort de rappel (fermant hors courant)

La gamme d'accessoires se trouve dans notre catalogue.

9 Entretien

En cas de dysfonctionnements, procéder à une opération de maintenance.

10 Conditions générales de vente et de livraison

Les conditions générales de vente et de livraison valables au moment de la livraison sont à appliquer.

▲ Lea cuidadosamente las instrucciones de instalación y operación antes de instalar la válvula de control independiente de presión!

La instalación, operación inicial, servicio y mantenimiento, deben solo ser manejados por un operador calificado. Las instrucciones de instalación y operación, así como otros documentos relevantes, deben permanecer con el usuario del sistema!

Contenido:

1. Información general.....	11
2. Avisos de seguridad	11
3. Transporte, almacenaje y empaque.....	12
4. Datos técnicos.....	12
5. Construcción y funcionamiento	12
6. Instalación.....	14
7. Operación	15
8. Accesorios.....	15
9. Mantenimiento.....	15
10. Condiciones generales de venta y suministro	15



Figura 1 Válvula de control independiente de presión “Cocon QFC”

1 Información general

1.1 Información relativa a las instrucciones de instalación y operación

Estas instrucciones de instalación y operación sirven para asistir al técnico en el montaje de la válvula de control independiente de presión, y su puesta en marcha.

Otros documentos relevantes: Deben observarse los manuales de todos los componentes del sistema y reglas técnicas.

1.2 Archivo de documentos

Estas instrucciones de instalación y operación deberán permanecer con el usuario del sistema.

1.3 Derecho de autor

Las instrucciones de instalación y operación tienen registro de derecho de autor.

1.4 Símbolos

Los lineamientos de seguridad aparecen con símbolos. Estos lineamientos deben respetarse para evitar accidentes, daños a la propiedad o funcionamiento defectuoso.

▲ PELIGRO

PELIGRO indica una situación peligrosa que, de no ser evitada, puede ocasionar la muerte o serias lesiones.

▲ ADVERTENCIA

ADVERTENCIA indica una situación peligrosa que, de no ser evitada, puede ocasionar la muerte o serias lesiones.

▲ ATENCIÓN

ATENCIÓN indica una situación peligrosa que, de no ser evitada, puede ocasionar una lesión moderada.

2 Avisos de Seguridad

2.1 Uso adecuado

La seguridad en la operación está garantizada solo si la válvula es utilizada correctamente.

La válvula de control independiente de presión “Cocon QFC/QGC” está diseñada para ser instalada en sistemas de aire acondicionado y calefacción con circuitos cerrados de agua (e.g. sistemas centrales de calefacción y pisos radiantes, serpentines, techos fríos, ventiladores de convección, etc.).

Opera como un regulador automático de flujo y diferencial de presión (balanceando hidráulicamente), pudiendo controlar otra variable (e.g. proveniente de un termostato de ambiente) al modificar el caudal con ayuda de un actuador.

Cualquier otro uso de la válvula “Cocon QFC/QGC” fuera de las aplicaciones descritas, será considerado como no adecuado o abusivo.

Demandas de cualquier tipo contra el fabricante y/o su representante autorizado, debido a daños causados por uso inapropiado, no serán aceptadas.

El seguimiento de las instrucciones de operación y mantenimiento es parte de los términos del acuerdo.

2.2 Posibles peligros en el lugar de la instalación

▲ ADVERTENCIA

Válvula pesada!

Riesgo de lesión! Deben utilizarse dispositivos de transporte y carga. Debe vestirse equipo de seguridad (e.g. zapatos de seguridad), durante la instalación. Los componentes externos como volantes y puntos de medición de presión, no deben ser empleados inapropiadamente, como elementos para sujetar la válvula con herramientas de elevación u otras fuerzas externas.

Superficies calientes y frías!

Riesgo de lesión! No toque la válvula sin guantes de seguridad. La válvula puede calentarse mucho durante la operación.

Bordes afilados!

Riesgo de lesión! Solo toque con guantes de seguridad. Las roscas, huecos y bordes de la válvula son afilados.

Piezas pequeñas!

Riesgo de ingestión! Guarde e instale las válvulas fuera del alcance de los niños.

Alergias!

Peligro de salud! Evite el contacto con la válvula en caso de conocer que padece alergia a los materiales utilizados.

El caso de un fuego externo no ha sido considerado en la construcción de la válvula.

3 Transporte, almacenamiento y empaque

3.1 Inspección del transporte

Al momento de la recepción, verifique por cualquier daño ocurrido durante el transporte. Cualquier daño debe ser notificado inmediatamente en la recepción.

3.2. Almacenamiento

La válvula de control independiente de presión "Cocon QFC/QGC" debe ser almacenada considerando las siguientes condiciones:

- No almacene a la intemperie. Hágalo en un ambiente seco y libre de polvo.
- No exponga a fluidos agresivos o fuentes de calor.
- Proteja las válvulas de la luz del sol y agitación mecánica.
- Temperatura de almacenaje: -4 a 131°F (-20 a 55°C), máxima humedad relativa del aire: 95%

4 Datos técnicos

4.1 Desempeño

Máxima temperatura de operación: 248 °F (120 °C)
 Mínima temperatura de operación: 14 °F (-10 °C)
 Máxima presión de operación: 232 psi (1600 kPa)
 Máxima presión diferencial: 58 psi (400 kPa)
 Fluido: Agua o mezcla de agua y etileno/propileno-glicol (máx. 50%) ph: 6.5-10

Artículo No.	DN	Tamaño	Peso [lbs]	Rango de control [GPM] (min.-max.)	valor cvs	Diferencial de presión p1-p3 (min.-max.)
1676149	40	1½"	22	6.6 - 33	13.3	2.9 psi - 58 psi (20 kPa - 400 kPa)
1676150	50	2"	29	8.8 - 35	13.9	
16761/6251	65	2½"	60/47	22 - 90	41.6	
16761/6252	80	3"	71/58	33 - 130	64.7	
16761/6253	100	4"	100/82	55 - 220	92.5	
1676154	125	5"	157	119 - 468	173.4	
1676155	150	6"	188	158 - 660	254.3	
1676156	200	8"	331	242 - 837	312.1	

* Se recomienda el menor ajuste; comenzando con el valor fijado, el caudal podrá reducirse hasta el cierre completo de la válvula.

Datos para la conexión del actuador:

	DN 40/50	DN 65/80/100	DN 125	DN 150/200
Golpe de pistón	0.39" (10 mm)	0.79" (20 mm)	1.42" (36 mm)	1.57" (40 mm)
Presión de cierre	112.4 lbf (500 N)	191.1 lbf (850 N)	449.6 lbf (2000 N)	449.6 lbf (2000 N)

▲ PELIGRO

Considere las medidas necesarias para asegurar que no se exceda la máxima presión de operación y el rango de temperatura de operación (e.g. válvulas seguras).

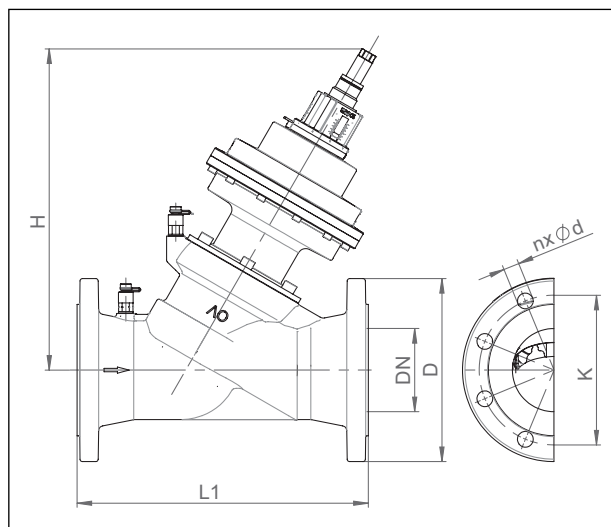
4.2 Materiales

Cuerpo fabricado en fundición de hierro, empacaduras de EPDM o PTFE, piezas interiores hechas de latón resistente a la pérdida de zinc, sello del vástago libre de mantenimiento gracias al doble "O-ring", partes plásticas elaboradas en PA6.

4.3 Dimensiones / conexión

4.3.1 "Cocon QFC"

Disposición de pernos para la conexión bridada de acuerdo a la norma ANSI 150.



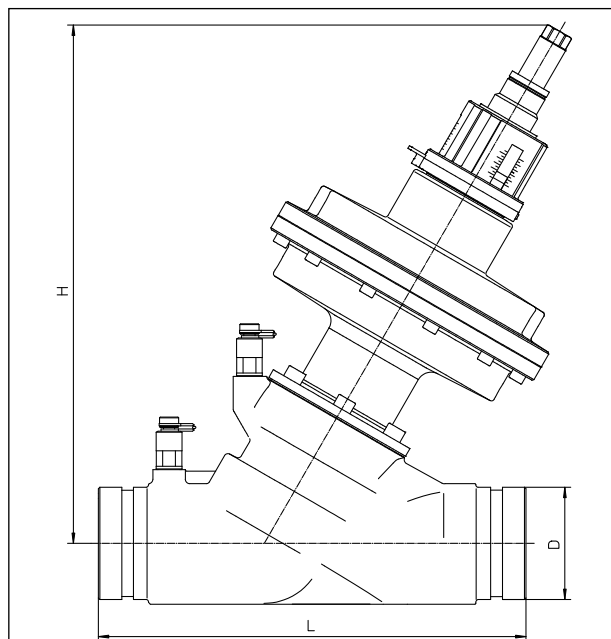
DN	L1	H	D	K	n x Ød
40	7.9	9.8	5	3.9	4 x 0.6
50	9.1	10.6	6	4.8	4 x 0.7
65	11.4	14.6	7.3	5.5	4 x 0.7
80	12.2	15.2	7.9	6	4 x 0.7
100	13.8	15.9	8.7	7.5	8 x 0.7
125	15.7	20.5	9.8	8.5	8 x 0.9
150	18.9	20.5	11.2	9.5	8 x 0.9
200	23.6	22.2	13.4	11.8	8 x 0.9

4.3.2 "Cocon QGC"

Conexiones ranuradas para acoplamientos

Compatibles con las conexiones de los siguientes sistemas:

- Victaulic
- Grinnell



DN	L	D	H
65	11.42	2.87	7.3
80	12.20	3.50	7.9
100	13.78	4.50	8.7

5 Construcción y funcionamiento

5.1 Estudio y descripción funcional

La válvula de control independiente de presión "Cocon QFC/QGC" es una válvula que combina un regulador automático de caudal con diferencial de presión independiente (y valor nominal ajustable), con una válvula de control. La válvula de control puede ser equipada con un actuador.



Figura 2 Manga de ajuste (debe ser desatornillada antes de modificar el ajuste)

La manga de ajuste debe ser desatornillada antes de modificar el valor del caudal.

La escala de ajuste está limitada al caudal máximo posible. El ajuste y el caudal máximo quedan determinados al girar el volante.

El ajuste puede ser fijado y asegurado con un clip de bloqueo. Cuando la válvula es operada sin actuador, el valor de caudal requerido puede ser fijado con la manga de ajuste. Así, la válvula de control independiente de presión "Cocon QFC/QGC" funciona como un regulador de flujo. Para este propósito, la manga de ajuste tiene que ser apretada manualmente, hasta detenerse.

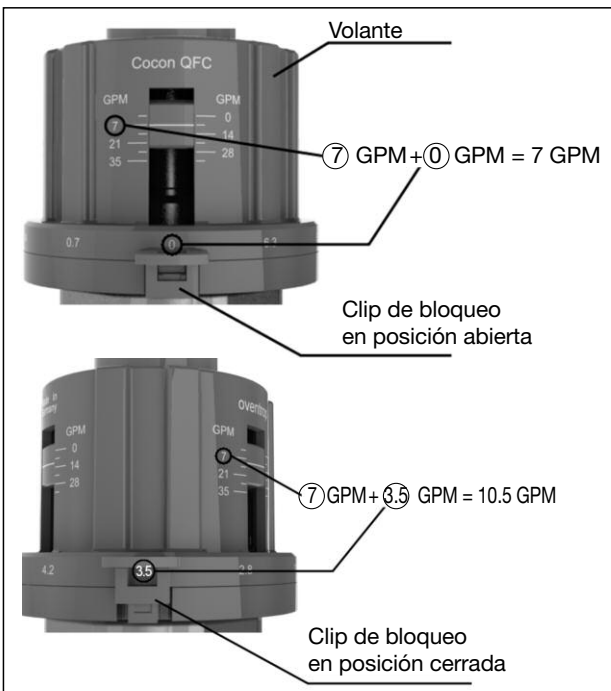


Figura 3 Ejemplo de ajustes

Cuando se coloca un actuador, deben observarse las correspondientes instrucciones de instalación.

El medidor de caudal "OV-DMC 2" puede conectarse a las tomas de medición de presión. Esto confirmará si la válvula está trabajando dentro del rango de control. El ajuste de la bomba se optimizará midiendo el diferencial de presión.

Con este fin, la altura manométrica de la bomba se reduce hasta que las válvulas en condición más desfavorable hidráulicamente, estén trabajando dentro del rango de control.

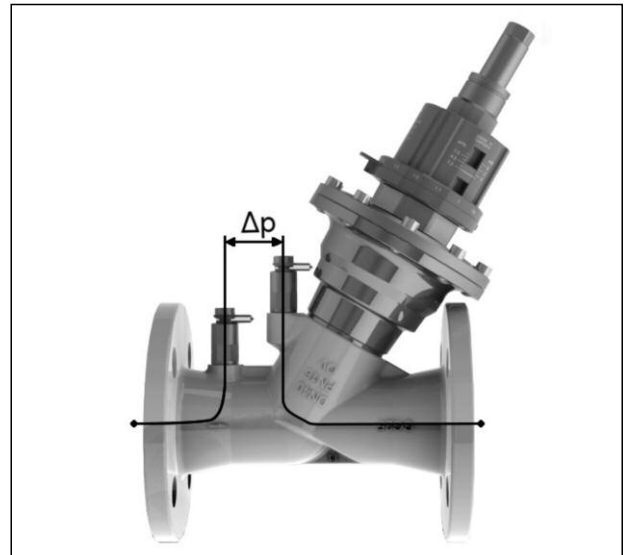


Figura 4 Diferencial de presión

Con el medidor de caudal conectado (e.g. "OV-DMC 2"), se puede medir el diferencial de presión a través de la válvula.

La sección ilustrada de la válvula "Cocon QFC/QGC" (figura 5) muestra tres valores de presión. "p1" es la presión de entrada, y "p3" es la presión de salida de la válvula. "p2" es la presión de operación que actúa sobre el diafragma.

El diferencial de presión "p1" - "p2" se mantiene en un valor constante, gracias al diafragma integrado (pos. 1a) de la válvula de control independiente de presión.

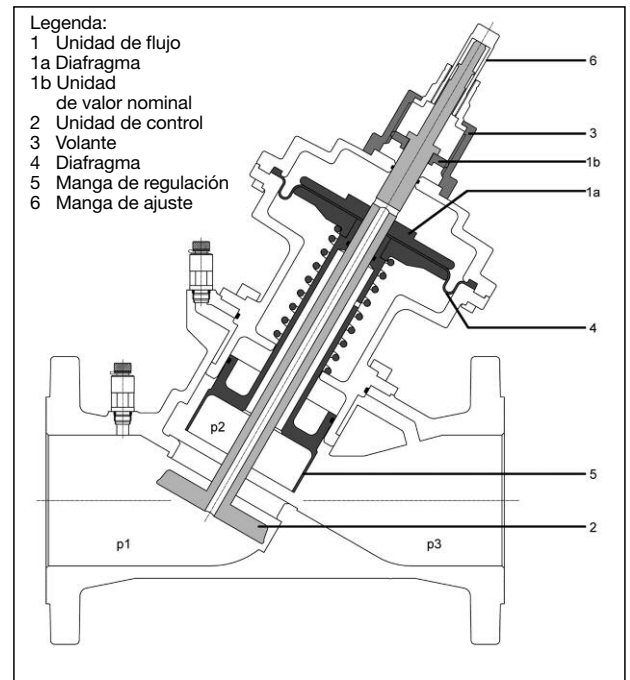


Figura 5 Construcción de la válvula "Cocon QFC/QGC"

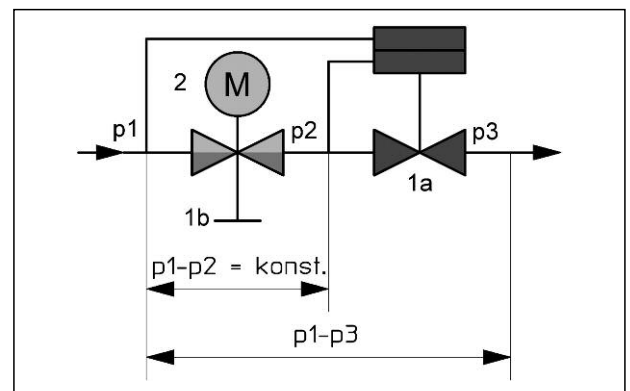


Figura 6 Principio de funcionamiento de la válvula "Cocon QFC/QGC"

El diafragma integrado (pos 1a), no solo mantiene el diferencial de presión “p1” - “p2” constante en la unidad de control (pos 2) activada por el actuador, sino también, en la unidad de flujo, la cual puede ser fijada a un valor de caudal máximo (pos 1b). Inclusive cuando ocurren grandes variaciones de diferencial de presión “p1” - “p3”, e.g. cuando se activan o desactivan secciones del sistema, la presión diferencial “p1” - “p2” se mantiene constante.

De esta manera, la autoridad de las válvulas “Cocon QFC/QGC” alcanza el 100% (a=1). Incluso en condiciones de carga parcial, con control constante (e.g. en combinación con actuadores con señal de control de 0 a 10V), la autoridad de la válvula “Cocon QFC/QGC” alcanza el 100% (a=1) dentro de la apertura efectiva de la válvula.

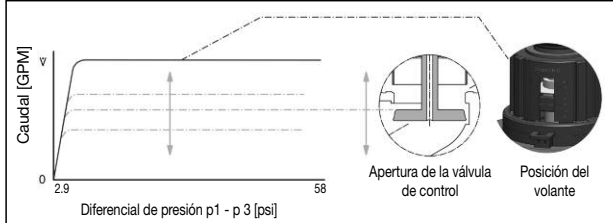


Figura 7 Curva característica de la válvula para diferentes ajustes

La presión diferencial mínima requerida “p1” - “p3” a través de la válvula puede obtenerse de la curva característica de más abajo. Como para las válvulas con control de caudal integrado, la presión diferencial mínima requerida cambia dependiendo del ajuste nominal. En el diagrama se han considerado las relaciones matemáticas.

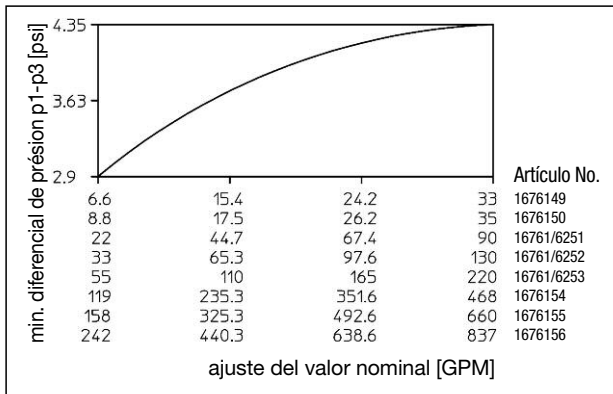


Figura 8

Cuando la presión diferencial medida es igual o mayor que la presión diferencial mínima “p1” - “p3” la válvula está trabajando dentro del rango de control.

El caudal máximo dentro del rango de control (2.9 – 58 psi) se ajusta con el volante. Durante los períodos de baja demanda, el caudal se regula al valor requerido con la posición de la válvula de control.

La válvula de control independiente de presión “Cocon QFC/QGC” tiene una característica lineal dentro del rango de apertura de la válvula. Esta es una ventaja cuando se usan actuadores modulantes.

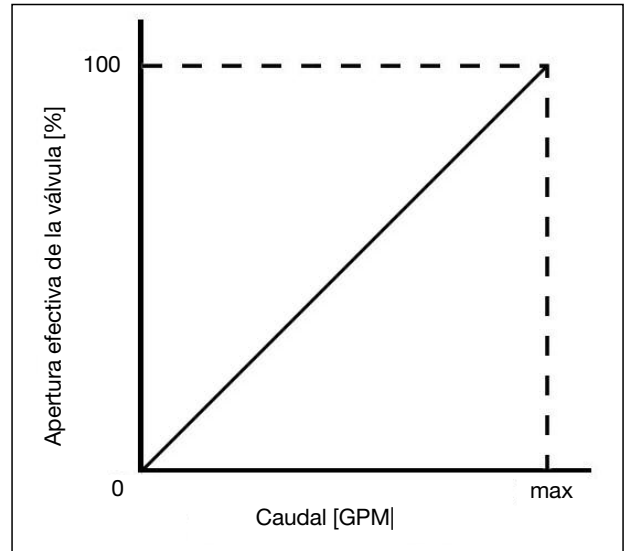


Figura 9 Curva característica de la válvula “Cocon QFC/QGC”

5.2 Información impresa

Sello CE en el volante de la válvula

CE Sello CE

Información en el cuerpo de la válvula:

OV Fabricante

DN Tamaño nominal

PN Presión nominal

GJL250 / GG25 Material del cuerpo de la válvula

D en mm diámetro exterior D de la conexión ranurada de “Cocon QGC”

5.3 Aplicaciones

Las válvulas Oventrop “Cocon QFC/QGC” se utilizan en sistemas de calefacción y aire acondicionado central con bombas de circulación para control de caudal. Pueden controlar la temperatura ambiente, empleando termostatos y actuadores.

6 Installation

Antes de instalar la válvula, la tubería debe limpiarse vigorosamente con agua a presión. La válvula puede ser instalada en cualquier posición (horizontal, oblicua o vertical, en secciones ascendentes o descendentes. Los actuadores eléctricos no deben ser instalados boca abajo – deben observarse las instrucciones de instalación de los actuadores). Es importante notar que la dirección del flujo debe coincidir con la flecha que se encuentra en el cuerpo de la válvula y que la válvula debe instalarse con $L = 3 \times \varnothing$ de tubería recta, en el lado de aguas arriba, y con $L = 2 \times \varnothing$ de tubería recta, aguas abajo. Debe evitarse cualquier tensión que pueda transmitirse por la tubería. Después de la instalación, el volante y la conexión para medición, deben quedar en una posición de fácil acceso.

⚠ Las precauciones de la sección 2 (Arisos de seguridad), deben ser consideradas!

ATENCIÓN

- No utilice ningún lubricante o aceite cuando instale la válvula ya que estos pueden destruir las empaaduras. Si es necesario, las partículas de sucio y residuos de lubricante y aceite deben ser removidos de la tubería durante la limpieza con agua a presión.
- Cuando se escoge el fluido de operación, debe considerarse la última revisión técnica (e.g. VDI 2035).
- Debe instalarse un filtro antes de la válvula.
- La válvula debe salvaguardarse de fuerzas externas (e.g. impactos o vibraciones).

Una vez que la instalación está completa, revise todas las conexiones por goteos.

7 Operación

7.1 Purga de aire del sistema

Antes de la operación inicial, el sistema debe ser llenado y purgado considerando las presiones de operación permisibles.

7.2 Ajuste del caudal

El caudal máximo puede ser fijado y bloqueado en la escala de ajuste del volante (vea Fig. 3).

7.3 Control con el uso de actuadores

Para controlar el sistema de calefacción/aire acondicionado en situación de carga parcial, debe instalarse un actuador en la válvula "Cocon QFC/QGC". El caudal se modificará de acuerdo a la variable controlada (e.g. temperatura ambiente).

7.4 Aislamiento

La válvula puede cerrarse girando el volante a la derecha hasta detenerse.

7.5 Factores de corrección para mezclas de agua y glicol

Deben considerarse los factores de corrección de los fabricantes de líquidos anticongelantes, para ajustar el caudal.

8 Accesorios

Para determinar si la válvula funciona dentro del rango de control, Oventrop ofrece dos dispositivos de medición:

Sistema de medición Oventrop "OV-DMC 2"

Sistema de medición Oventrop "OV-DMPC"

La válvulas de control independiente de presión "Cocon QFC/QGC" puede ser utilizada con los siguientes actuadores Oventrop:

Actuador con conexión por compression (DN 40 / 50) 1158010
24V, señal de control de 0-10V

Actuador con conexión rosca (DN 40 - 100) 1158020
24 V, señal de control de 0-10V / 4-20 mA

Actuador con conexión rosca (DN 40 - 100) 1158021
24 V, señal de control de 0 - 10 V / 4 - 20 mA,
con resorte de retorno (muerto apertura)

Actuador con conexión rosca (DN 40 - 100) 1158022
24 V, señal de control de 0 - 10 V / 4 - 20 mA,
con resorte de retorno (muerto cerrador)

Actuador con conexión por compression (DN125 - 200) 1158030
24V, señal de control de 0-10V / 4-20 mA

Actuador con conexión por compression (DN125 - 200) 1158031
24V, señal de control de 0-10V / 4-20 mA
con resorte de retorno (muerto apertura)

Actuador con conexión por compression (DN125- 200) 1158032
24V, señal de control de 0-10V / 4-20 mA
con resorte de retorno (muerto cerrador)

Los accesorios se encuentran en el catálogo.

9 Mantenimiento

En caso de funcionamiento defectuoso, debe hacerse servicio a la válvula.

10 Condiciones generales de venta y suministro

Se aplicarán las condiciones y términos generales de venta y suministro de Oventrop en el momento de la entrega.

