

#### Tender specification:

Oventrop electromotive actuators for quick two point control circuits without feedback with connection thread M 30 x 1.5. The actuators feature a short operating time.

#### Models:

230 V  
24 V

#### Item no.:

1012710  
1012711

#### Technical data:

Operating current: 230 V AC, +10...-15 %, 50 Hz  
24 V AC, +20...-20 %, 50/60 Hz

Power consumption: 230 V: 1.8 W during operation  
1.8 W with stroke in final position  
24 V: 8 W during operation  
0.5 W with stroke in final position  
two point control (on/off)

Input current, control signal: 1 mA for 24 V, < 10 mA for 230 V

Parallel working: max. of 5 actuators

Max. piston stroke: 6.5 mm

Operating power: > 90 N

Floating time: about 3 s

Protection: IP 54

Protective system: II according to EN 60730

Max. fluid temperature: +100 °C

Ambient temperature: 0...+60 °C, not condensing

Connecting cable: 3-core cable, 1.5 m long

#### Installation and fitting:

Electrical connections must be carried out in accordance with the requirements of the local Electricity Board.

The connecting cable must not come into contact with hot pipes or similar as excessive heat will accelerate the ageing of the cable insulation.

The actuator is mounted with the help of the collar nut, no tools or adjustments are required. Oventrop electromotive actuators can be installed in any position, except for vertical downward position.

#### Application:

When used in combination with the corresponding controllers, the Oventrop electromotive actuators “Aktor M 2P H” are used for heating, ventilation and air conditioning. In combination with Oventrop three-way valves, they can, amongst others, be used for quick switching operations in heating and cooling systems as well as for quick two point control circuits like fan convectors, induction air systems, small additional heaters and chillers.

The actuators can be combined with the following Oventrop valves with connection thread M 30 x 1.5:

- All thermostatic radiator valves (except for valves “ADV 9/ ADV 6” and “KTB”)
- Three-way conversion valves
- Regulating valves “Cocon 2TZ/QTZ” for chilled ceiling systems
- Three-way diverting and mixing valves
- Regulating valves “Hycocoon ETZ/HTZ”

#### Function:

The drive stem of the electromotive actuator is activated in both directions via a gear inside the actuator. The stem opens up as soon as the contact of the brown lead is closed. As soon as the contact opens, the stem closes down.

The actuator also features an electronic cutoff function in case of overload and in the final positions of the stroke .

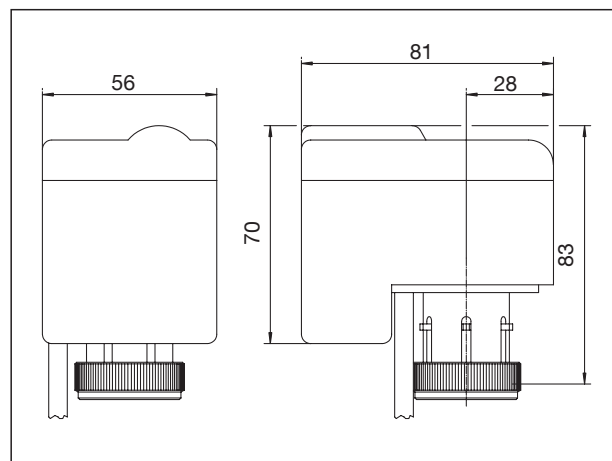
The maximum permissible length of the cable (3 x 1.5 mm<sup>2</sup>) between the actuator and the controller is 40 m. Should a pacifier (max. 1.5 nF) have been installed in the line, the maximum permissible length of the cable amounts to 15 m.

Subject to technical modifications without notice.

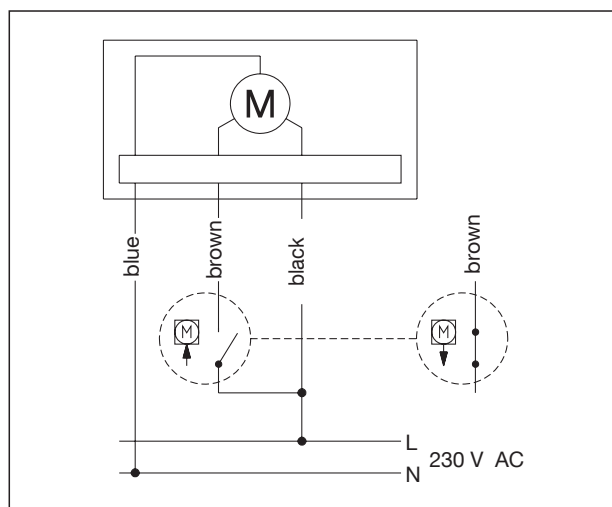
Product range 1  
ti 208-EN/10/MW  
Edition 2018



“Aktor M 2P H”



Dimensions



Wiring diagram

- Brown lead energized (contact closed) → Drive stem opens up
- Brown lead not energized (contact open) → Drive stem closes down