



The Oventrop Quality Management System is certified to DIN-EN-ISO 9001

Manual radiator valves "Series HR"

Technical information

Tender specification:

Oventrop manual radiator valve "Series HR".

Max. working temperature: 120°C (for short periods up to 130°C)

Max. working pressure: 10 bar

Low pressure steam 0,5 bar, 110°C

Body made of nickel plated brass. Measures according to DIN 3842. Stem with double O-ring seal.

Connection for threaded or copper pipes.

Plastic pipes and the composition pipe "Copipe" can be connected by use of nipples and compression fittings for male thread.

Manual radiator valves DN 15 are also suitable for the direct connection of composition pipe "Copipe".

Function:

Oventrop manual radiator valves „Series HR“ permit a precise manual control of the room temperature. The radiator heat output is proportional to the setting of the handwheel. A special profile valve disc permits a precise regulation of the flow.

Advantages:

- Oventrop manual radiator valves "Series HR" offer a good manual control of the room temperature
- easy to use
- double stem seal
- economical model
- two different types of handwheel available

Application:

One and two pipe central heating systems PN 10, max. flow temperature 120°C (for short periods up to 130°C), irrespective of the type of heat source as well as for steam 0,5 bar, 110°C.

Standard connections for screwed pipes but also suitable for connection of copper pipes according to DIN EN 1057 when using Oventrop compression rings and collar nuts.

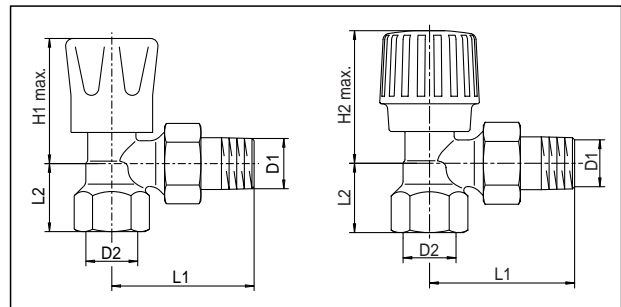
The Oventrop composition pipe „Copipe“ is connected by use of the compression fittings „Cofit S“ or the press fittings „Cofit P“.

Model:

Body made of nickel plated brass. Dimensions according to DIN 3842. Inner parts and coupling made of brass. Stem with double O-ring seal made of EPDM. Handwheel made of heat proof and impact resistant plastic compound. Two different types of handwheel available.

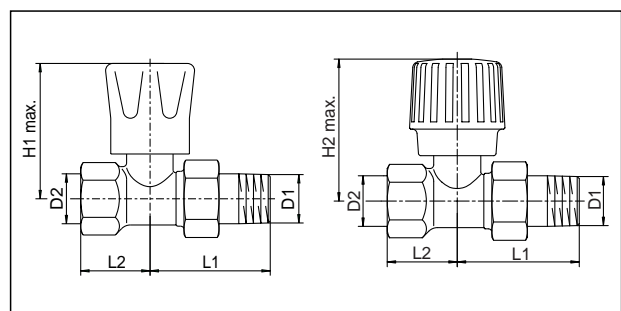


Dimensions:



DN	D ₁ EN 10226	D ₂ EN 10226	L ₁	L ₂	H _{1max.}	H _{2max.}	Item no.
10	3/8"	3/8"	51.5	22.5	49	-	119 05 03
15	1/2"	1/2"	57.5	27.5	50.5	-	119 05 04
20	3/4"	3/4"	65.5	29	53	-	119 05 06
10	3/8"	3/8"	51.5	22.5	-	53	119 05 53
15	1/2"	1/2"	57.5	27.5	-	54.5	119 05 54
20	3/4"	3/4"	65.5	29	-	57	119 05 56

Angle pattern

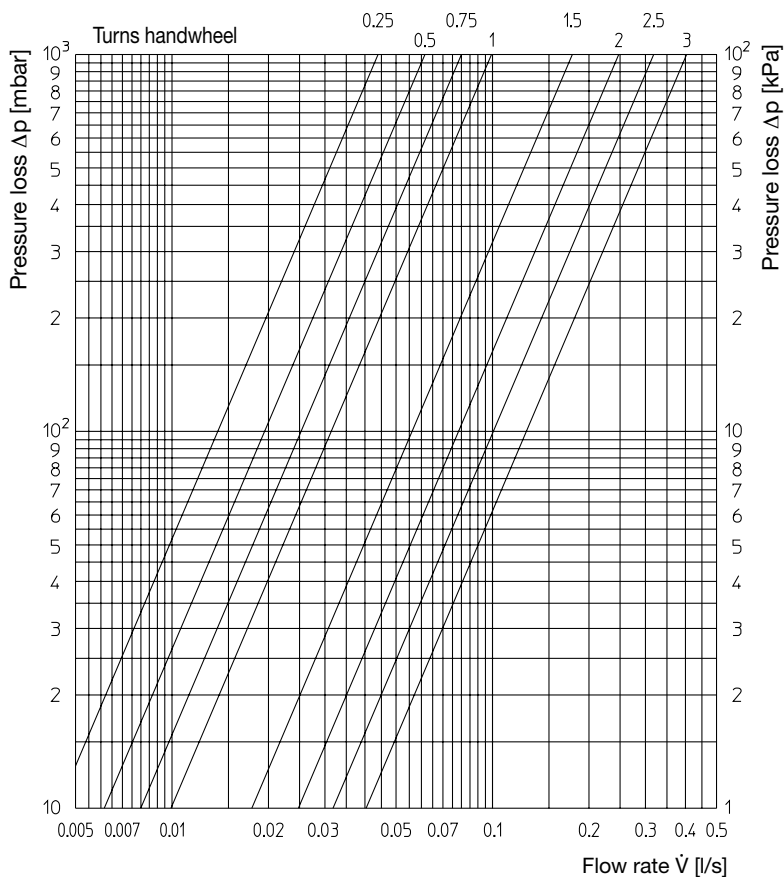


DN	D ₁ EN 10226	D ₂ EN 10226	L ₁	L ₂	H _{1max.}	H _{2max.}	Item no.
10	3/8"	3/8"	51	23.5	56.5	-	119 06 03
15	1/2"	1/2"	50.5	29	56.5	-	119 06 04
20	3/4"	3/4"	61.5	29	53	-	119 06 06
10	3/8"	3/8"	51	23.5	-	60.5	119 06 53
15	1/2"	1/2"	50.5	29	-	60.5	119 06 54
20	3/4"	3/4"	61.5	29	-	61.5	119 06 56

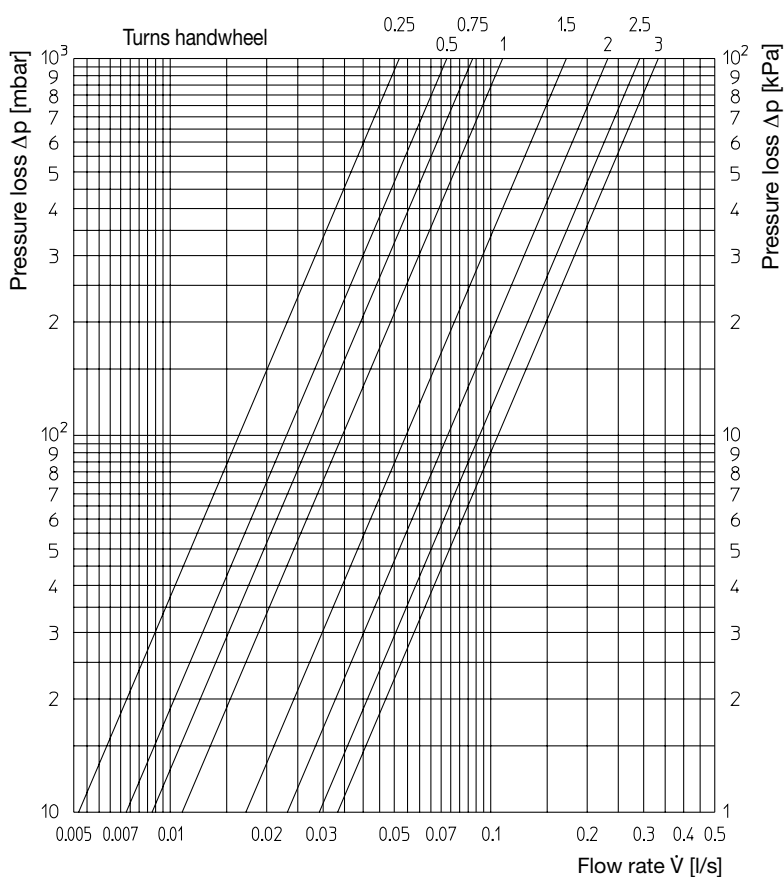
Straight pattern

Charts:

DN 10 - DN 20 angle pattern



DN 10 - DN 20 straight pattern



OVENTROP UK LTD.
 Unit 1 - The Loddon Centre
 Wade Road
 Basingstoke, Hampshire RG24 8FL
 Great Britain
 Telephone (01256) 330441
 Telefax (Sales) (01256) 330525
 Telefax (General) (01256) 470970
 E-Mail sales@oventrop.co.uk

F. W. OVENTROP GmbH & Co. KG
 Paul-Oventrop-Straße 1
 D-59939 Olsberg
 Germany
 Telephone (02962) 82-0
 Telefax (02962) 82-450
 E-Mail mail@oventrop.de
 Internet www.oventrop.de

Subject to technical modification without notice.
 Product range 1
 ti 39-1/10/MW
 Edition 2006