

Application:

The Oventrop isolating and orifice valves “Hydrocontrol ATR” PN 16/PN 25 are installed in the risers of hot water central heating and cooling systems and allow for the isolation of the risers.

The Oventrop isolating and orifice valves feature two threaded ports closed with blind plugs which can be equipped with fill and drain ball valves (accessory).

The isolating and orifice valves may be installed in the supply and the return pipe.

Copper pipes (according to DIN EN 1057) can be connected to the female thread DN 15 and DN 20 with the help of the corresponding compression fittings “Ofix” (reinforcing sleeves are to be used!).

When installing the valve it must be ensured that the direction of flow conforms to the direction of the arrow on the valve body.

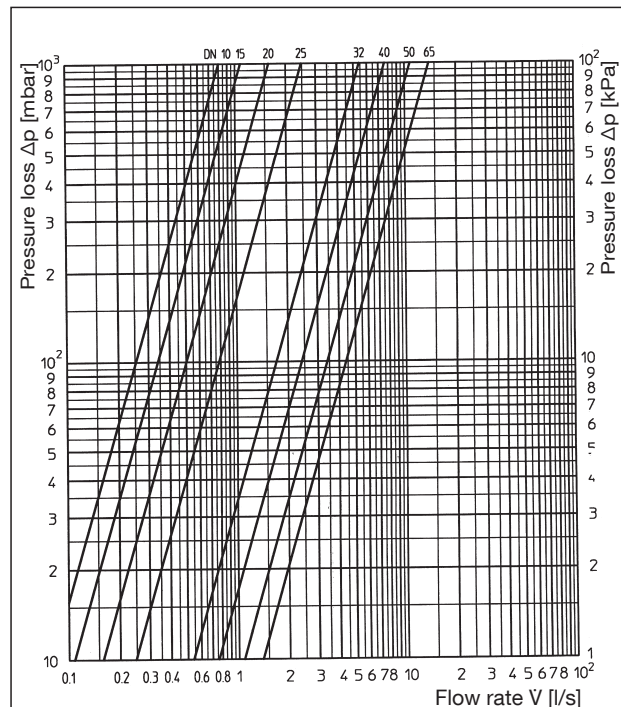
The indicated k_{vs} values are valid for both, installation in the supply and the return pipe, provided the direction of flow conforms to the arrow on the valve body.

Advantages:

- the location of the functional components in one plane allows for a simple installation and easy operation
- only one valve for three functions:
 - isolating
 - filling
 - draining
- the supply and return pipe can be marked by use of the colour rings supplied with each valve
- low pressure loss (oblique pattern)
- threads according to EN 10226, suitable for Oventrop compression fittings (item no. 1027151-58) for copper pipes up to a max. diameter of 22 mm and the Oventrop composition pipe “Copipe”
- fill and drain ball valve with O-ring seal towards the valve body (no additional seals required)



“Hydrocontrol ATR”



Flow chart item no. 10675/76

**“Hydrocontrol ATR” PN 16/PN 25
Bronze isolating and orifice valves**

Tender specification:

Oventrop isolating and orifice valves “Hydrocontrol ATR” PN 16 (female threaded model DN 10 - DN 50: PN 25) for central heating and cooling systems, not suitable for steam. Colour rings for marking of supply and return pipe at the handwheel. Valve body (oblique pattern) and bonnet made of bronze, disc and stem made of dezincification resistant brass. Disc with PTFE seal. Maintenance-free stem seal due to double O-ring. All functional components in one plane. Blind plug and fill and drain ball valve interchangeable. Installation in the supply and the return pipe.

Technical data:

Max. operating temperature t_s : +150 °C)
 Min. operating temperature t_s : -20 °C
 Max. operating pressure p_s : 16 bar
 25 bar (female thread DN 10-
 DN 50)

Models:

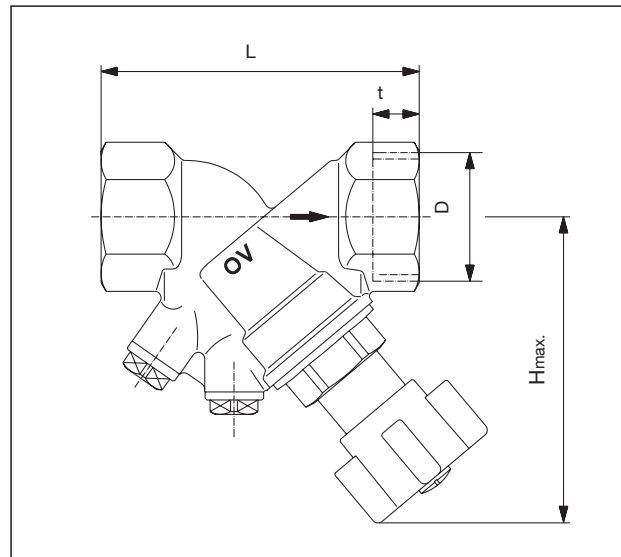
“Hydrocontrol ATR”

both ports female thread according to EN 10226, with threaded ports for accessories (closed with blind plugs)

Size	k_{vs}	Item no.:
DN 10	2.88	1067503
DN 15	3.88	1067504
DN 20	5.71	1067506
DN 25	8.89	1067508
DN 32	19.45	1067510
DN 40	27.51	1067512
DN 50	38.78	1067516
DN 65	50.00	1067520

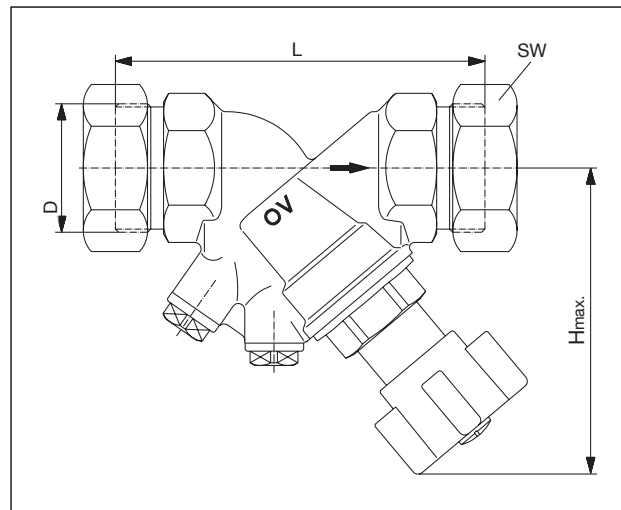
both ports male thread with collar nut, with threaded ports for accessories (closed with blind plugs)

Size	k_{vs}	Item no.:
DN 10	2.88	1067603
DN 15	3.88	1067604
DN 20	5.71	1067606
DN 25	8.89	1067608
DN 32	19.45	1067610
DN 40	27.51	1067612
DN 50	38.78	1067616



DN	D DIN EN 10226	t	L	Hmax.	SW*
10	Rp 3/8	10.1	73	98	27
15	Rp 1/2	13.2	80	98	27
20	Rp 3/4	14.5	84	100	32
25	Rp 1	16.8	97,5	105	41
32	Rp 1 1/4	19.1	110	127	50
40	Rp 1 1/2	19.1	120	133	55
50	Rp 2	25.7	150	145	70
65	Rp 2 1/4	20.2	151	186	85

Dimensions both ports female thread 1067503...20



DN	D DIN EN 10226	L	Hmax.	SW*
10	G 5/8	86	98	28
15	G 3/4	88	98	30
20	G 1	93	100	37
25	G 1 1/4	110	105	46
32	G 1 1/2	110	127	52
40	G 1 3/4	120	133	58
50	G 2 3/8	150	145	75

Dimensions both ports male thread with collar nut 1067604...16

*SW = spanner size

Tailpipe sets:

2 weldable tailpipes

for valve DN 10
for valve DN 15
for valve DN 20
for valve DN 25
for valve DN 32
for valve DN 40
for valve DN 50

Item no.:

1060591
1060592
1060593
1060594
1060595
1060596
1060597

2 solder tailpipes

15 mm for valve DN 15
18 mm for valve DN 20
22 mm for valve DN 20
28 mm for valve DN 25
35 mm for valve DN 32
42 mm for valve DN 40
54 mm for valve DN 50

1061092
1061093
1061094
1061095
1061096
1061097
1061098

2 male threaded tailpipes

R 3/8 for valve DN 10
R 1/2 for valve DN 15
R 3/4 for valve DN 20
R 1 for valve DN 25
R 1 1/4 for valve DN 32
R 1 1/2 for valve DN 40
R 2 for valve DN 50

1061491
1061492
1061493
1061494
1061495
1061496
1061497

2 female threaded tailpipes

Rp 1/2 for valve DN 15
Rp 3/4 for valve DN 20
Rp 1 for valve DN 25
Rp 1 1/4 for valve DN 32

1019364
1019366
1061394
1061395

Accessories:

Fill and drain ball valve
Extension for fill and drain ball valve (80 mm)
Extension for fill and drain ball valve (40 mm)

1060191
1060295
1688295

Insulation shells item no. 1060081-86:

Two-piece insulation made of polyurethane with tongue-and-groove fitting.

Only for heating systems.

Operating temperature t_s : +130 °C (for short periods up to +150 °C)

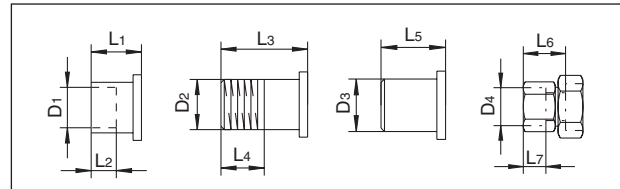
Insulation shells item no. 1060481-86:

Insulation shells made of closed-cell foamed polyethylene with additional solid mesh effect made of polypropylene.

One-piece insulation of symmetric construction with tongue-and-groove fitting.

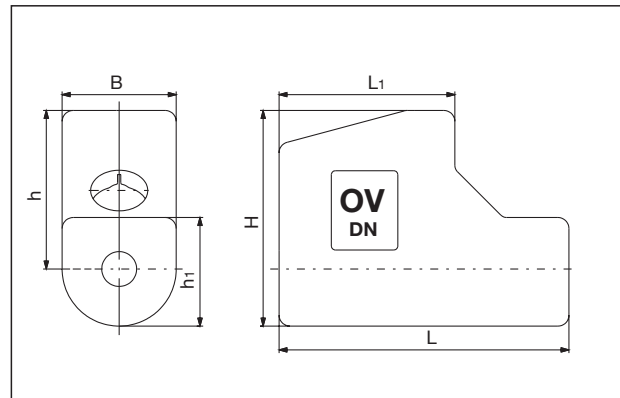
Only for heating systems.

Operating temperature t_s : +100 °C



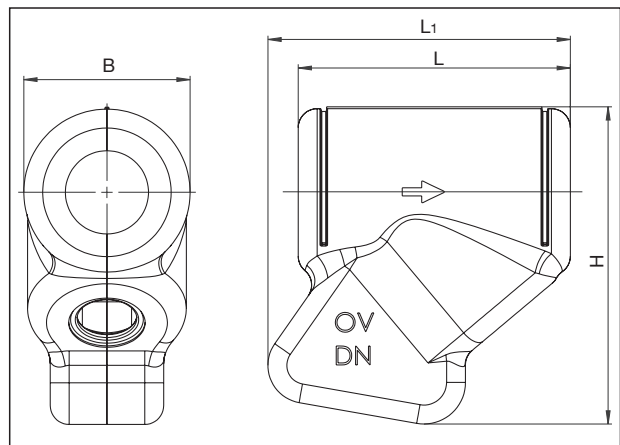
DN	D ₁	L ₁	L ₂	D ₂ EN 10226	L ₃	L ₄	D ₃	L ₅	D ₄ EN 10226	L ₆	L ₇
10	-	-	-	R 3/8	25	10,1	16	50	-	-	-
15	15	18	12	R 1/2	31	13,2	20,5	50	Rp 1/2	37	13,2
20	18	23	15	R 3/4	34	14,5	26	50	Rp 3/4	38	14,5
20	22	24	17	-	-	-	-	-	-	-	-
25	28	27	20	R 1	40	16,8	33	60	Rp 1	53	16,8
32	35	32	25	R 1 1/4	46	19,1	41	60	Rp 1 1/4	55	19,1
40	42	37	29	R 1 1/2	49	19,1	47,5	65	-	-	-
50	54	50	40	R 2	55	23,4	60	65	-	-	-

Tailpipe set dimensions



DN	Item no.	B	L	L ₁	H	h	h ₁
10/15	1060081	72	183	111	136	100	69
20	1060082	80	195	122	143	103	77
25	1060083	88	243	141	151	107	85
32	1060084	102	254	149	172	121	97
40	1060085	109	250	152	185	131	105
50	1060086	125	276	163	209	147	120

Insulation shell dimensions



DN	Item no.	B	L	L ₁	H
10/15	1060481	66	120	137	135
20	1060482	74	126	140	142
25	1060483	88	140	149	155
32	1060484	88	144	160	168
40	1060485	93	145	156	178
50	1060486	110	188	179	202

Insulation shell dimensions

Subject to technical modifications without notice.

Product range 2.1
ti 220-EN/10/MW
Edition 2020