

Free-flow and KFR valves "Aquastrom" PN 16

Tender specification:

The Oventrop bronze oblique pattern free-flow valves F and KFR valves "Aquastrom" PN 16 with plastic handwheel are used in potable water installations. Max. water temperature 120 °C. All functioning components on one side of the handwheel, maintenance-free stem seal due to double O-ring. DIN-DVGW tested, sound absorbing according to DIN 52218: product group I. The different models of the sizes DN 15 to DN 50 allow the connection to different pipe material, pipe fittings and moreover to the Oventrop pipe system "Copipe". The model with female thread in the sizes DN 15 and DN 20 is also suitable for the connection of compression fittings (not DVGW tested) for copper pipe.

Free-flow valve (F) "Aquastrom":

The valves with draining facility have one tapping with a drain ball valve 1/4" behind the seat and another plugged tapping 1/4" in front of the seat.

The valves without draining facility (except for item no. 420 08 ..) have one plugged tapping 1/4" in front of the seat and another one behind it.

The dead heads of the valves with female threaded ports (item no. 420 08 ..) are unbored and can thus also be installed at the inlet of the water meter.

All parts coming into contact with potable water are made of non-brass materials. If required, the free-flow valves may be converted to KFR valves by replacing the valve bonnet (except for 420 08 ..).

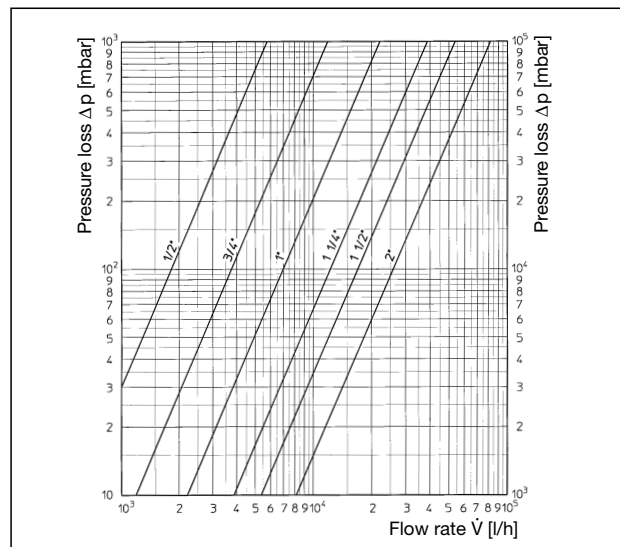
Combination free-flow valve and non-return check valve KFR valve "Aquastrom"

The valves with draining facility have one tapping with drain ball valve 1/4" behind the seat and a plugged test tapping 1/4" in front of the seat.

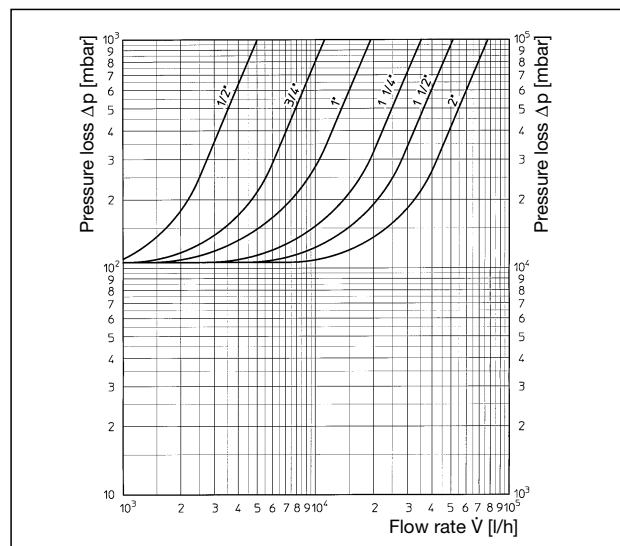
The valves without draining facility have one plugged tapping 1/4" in front of the seat and another one behind it.

Advantages:

- easy operation due to the location of the tappings on the side of the handwheel
- tag for marking the risers
- valve and couplings made of bronze - thus corrosion - resistant
- DIN-DVGW tested
- valves silent in operation
- sound absorbing according to DIN 52218: product group I
- maintenance-free stem seal
- drain ball valve may also be installed in the supply pipe (except for 420 08 ..)
- low height
- non-rising stem on size DN 25 and above
- drain ball valve may be fitted subsequently to all valve bodies (except for item no. 420 08 ..)
- all standard pipe connection methods may be realized/sizes DN 15 and DN 20 are suitable for use with compression fittings
- attractive design due to modern plastic handle
- subsequent conversion of installed free-flow valves "Aquastrom" to KFR valves by replacing the bonnets (except for item no. 420 08 ..)



Flow chart "Aquastrom F"



Flow chart "Aquastrom KFR"

**"Aquastrom" free flow valve (F)
made of bronze, PN 16:**

DIN-DVGW tested

Sound absorbing according to DIN 52218: Product group I

Application:

Potable water, industry

Construction:

- all parts coming into contact with water are made of non-brass materials
- PTFE disc seal, EPDM stem seal
- non-rising stem on size DN 25 and above
- tappings 1/4" closed with two blind plugs or with one blind plug and one drain ball valve (except for item no. 420 08 .. without tappings)
- handy plastic handwheel

**Combination free-flow valve and non-return check valve
KFR valves "Aquastrom"
made of bronze, PN 16:**

DIN-DVGW tested

Sound absorbing according to DIN 52218: Product group I

Application:

Potable water, industry

Construction:

- all parts coming into contact with water are made of non-brass materials
- disc- and stem seal made of EPDM
- guidance of disc made of stainless steel in plastic bearings
- non-rising stem on size DN 25 and above
- tappings 1/4" closed with two blind plugs or with one blind plug and one drain ball valve
- handy plastic handwheel

Models:

**both ports female thread according to DIN 2999,
construction according to DIN 3502**

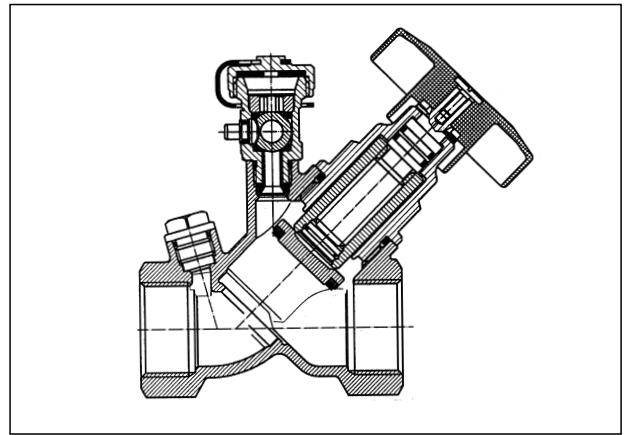
DN	D	L	Ø d	SW*	H (max.)
15	1/2"	66.5	50	27	89
20	3/4"	76.5	50	32	102
25	1"	91.5	65	41	104
32	1 1/4"	110	80	50	124
40	1 1/2"	120	80	55	136
50	2"	150	80	70	155

Inlet port: soldered connections

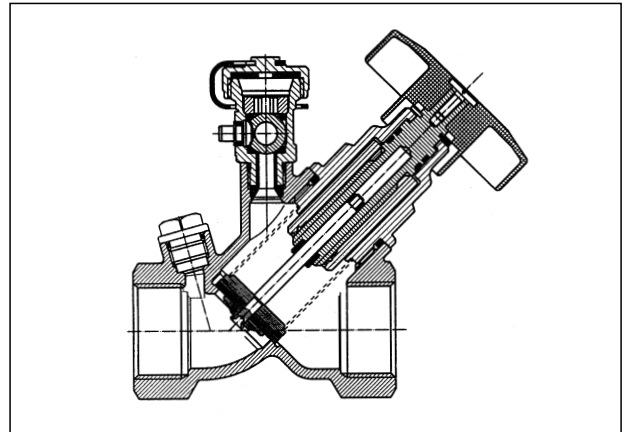
**Outlet port: male thread according to DIN ISO 228 with
ring gasket, collar nut and solder tailpipe**

DN	D ₁	D ₂	L	L ₁	Ø d	SW ₁ *	SW ₂ *	H (max.)
15	15	3/4"	79	99	50	24	30	89.5
15	18	3/4"	81	103	50	24	30	89.5
20	22	1"	95	120	50	30	37	99.5
25	28	1 1/4"	111	140	65	36	46	104
32	35	1 1/2"	130	164	80	41	52	124
40	42	1 3/4"	148.5	187.5	80	50	58	136
50	54	2 3/8"	170	214	80	60	75	155

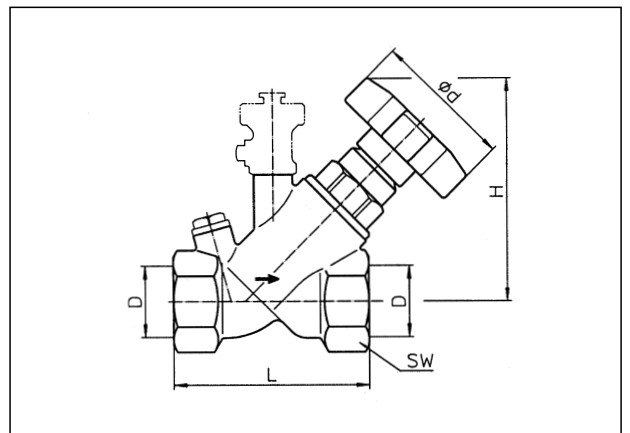
* SW = spanner size



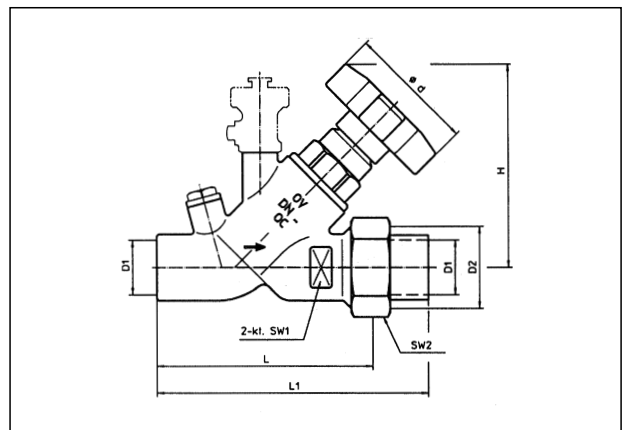
Free-flow valve (F) "Aquastrom" with draining facility



Free-flow valve KFR valve "Aquastrom" with draining facility



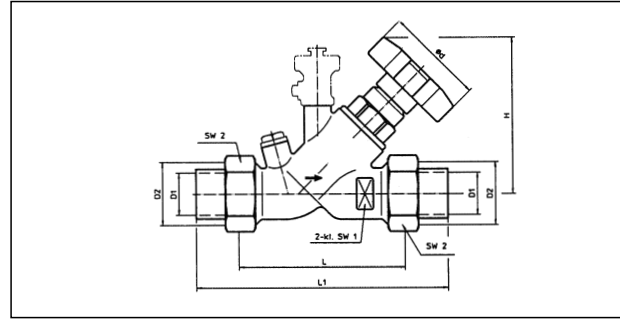
Item no's. 420 12 04 - 16 (F), 420 62 04 - 16 (KFR) with draining facility
Item no's. 420 08 04 - 16 (F), 420 58 04 - 16 (KFR) without draining facility



Item no's. 420 42 52 - 58 „Aquastrom" (F) with draining facility
Item no's. 420 38 52 - 58 „Aquastrom" (F) without draining facility

both ports male thread according to DIN ISO 228, with ring gaskets, collar nuts and solder tailpipes

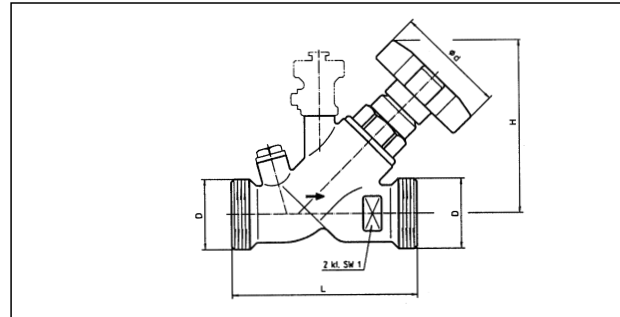
DN	D ₁	D ₂	L	L ₁	Ø d	SW ₁ *	SW ₂ *	H (max.)
15	15	3/4"	84	124	50	24	30	89.5
15	18	3/4"	84	128	50	24	30	89.5
20	22	1"	95	139	50	30	37	99.5
25	28	1 1/4"	110.5	160.5	65	36	46	104
32	35	1 1/2"	124	182	80	41	52	124
40	42	1 3/4"	139.5	218.5	80	50	58	136
50	54	2 3/8"	158	246	80	60	75	155



Item no's. 420 22 52-58 (F), 420 83 52-58 (KFR) with draining facility
Item no's. 420 18 52-58 (F), 420 79 52-58 (KFR) without draining facility

both ports male thread according to DIN ISO 228

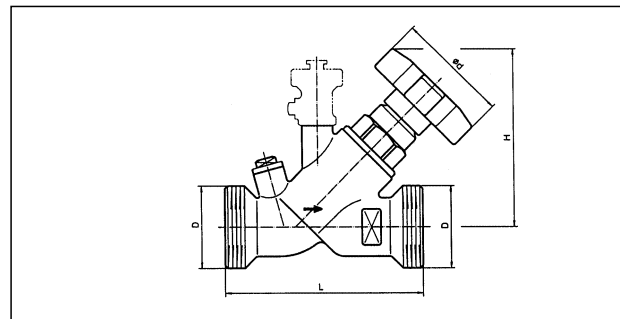
DN	D	L	Ø d	SW ₁ *	H (max.)
15	3/4"	84	50	24	89.5
20	1"	95	50	30	99.5
25	1 1/4"	110.5	65	36	104
32	1 1/2"	124	80	41	124
40	1 3/4"	139.5	80	50	136
50	2 3/8"	158	80	60	155



Item no's. 420 22 04-16 (F), 420 82 04-16 (KFR) with draining facility
Item no's. 420 18 04-16 (F), 420 78 04-16 (KFR) without draining facility

both ports male thread according to DIN ISO 228, for the connection of thick-walled plastic pipes

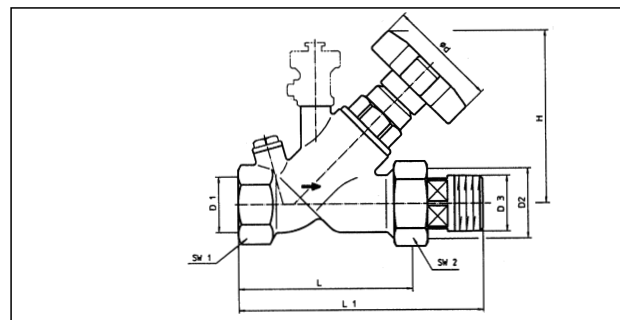
DN	D	L	Ø d	SW*	H (max.)
15	1"	94	50	24	89.5
20	1 1/4"	104	50	30	99.5
25	1 1/2"	115.5	65	36	104
32	2"	132	80	41	124
40	2 1/4"	147.5	80	50	136
50	2 3/4"	165	80	60	155



Item no's. 420 26 63-68 (F), 420 85 63-68 (KFR) with draining facility
Item no's. 420 24 63-68 (F), 420 83 63-68 (KFR) without draining facility

**Inlet port: female thread according to DIN 2999
Outlet port: male thread according to DIN ISO 228 with ring gasket, collar nut and screwed tailpipe**

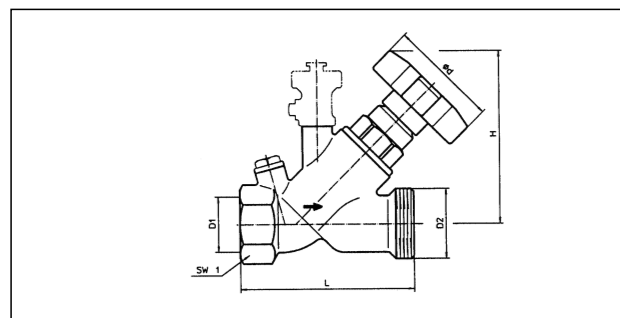
DN	D x D ₃	D ₂	L	L ₁	Ø d	SW ₁ *	SW ₂ *	H (max.)
15	1/2" x 1/2"	3/4"	78.5	111.5	50	27	30	89.5
20	3/4" x 3/4"	1"	91.5	127.5	50	32	37	99.5
25	1" x 1"	1 1/4"	104.5	146.5	65	41	46	104
32	1 1/4" x 1 1/4"	1 1/2"	121.5	169.5	80	50	52	124
40	1 1/2" x 1 1/2"	1 3/4"	135.5	186.5	80	55	58	136
50	2" x 2"	2 3/8"	157	214	80	70	75	155



Item no's. 420 33 04-16 (F), 420 73 04-16 (KFR) with draining facility
Item no's. 420 29 04-16 (F), 420 69 04-16 (KFR) without draining facility

**Inlet port: female thread according to DIN 2999
Outlet port: male thread according to DIN ISO 228**

DN	D ₁ x D ₂	L	Ø d	SW ₁ *	H (max.)
15	1/2" x 3/4"	78.5	50	27	89.5
20	3/4" x 1"	91.5	50	32	99.5
25	1" x 1 1/4"	104.5	65	41	104
32	1 1/4" x 1 1/2"	121.5	80	50	124
40	1 1/2" x 1 3/4"	135.5	80	55	136
50	2" x 2 3/8"	157	80	70	155



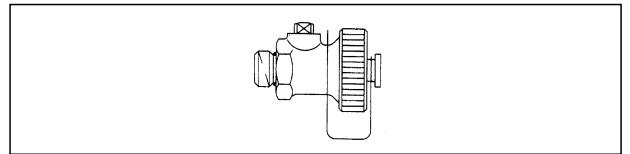
Item no's. 420 32 04-16 (F), 420 72 04-16 (KFR) with draining facility
Item no's. 420 28 04-16 (F), 420 68 04-16 (KFR) without draining facility

* SW = spanner size

Accessoires sets:

Set 1: 1 drain ball valve 1/4"

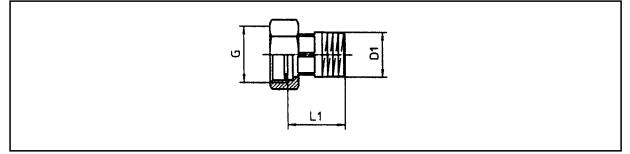
with hose connection 3/4" and cap
(components coming into contact with water are made of non-brass materials)



Set 1 Item no. 420 01 91

Set 2: Screwed tailpipe with male thread according to DIN 2999 (bronze), collar nut and ring gasket

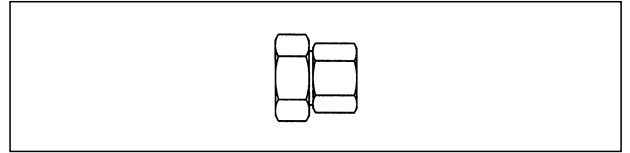
DN	Connection thread valve	L ₁	D ₁ accord. to DIN 2999
15	3/4"	31	1/2"
20	1"	34	3/4"
25	1 1/4"	40	1"
32	1 1/2"	46	1 1/4"
40	1 3/4"	49	1 1/2"
50	2 3/8"	55	2"



Set 2 Item no. 420 14 72-77

Set 3: Tailpipes with female thread according to DIN 2999, collar nut and ring gasket

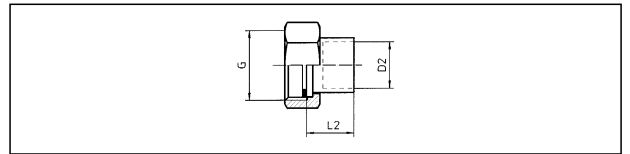
DN	Size
15	1/2" x 3/4" collar nut (brass)
20	3/4" x 1" collar nut (brass)
25	1" x 1 1/2" collar nut (bronze)
32	1 1/4" x 1 1/2" collar nut (bronze)



Set 3 Item no. 420 13 72-75

Set 4: Solder tailpipe (bronze), with collar nut and ring gasket

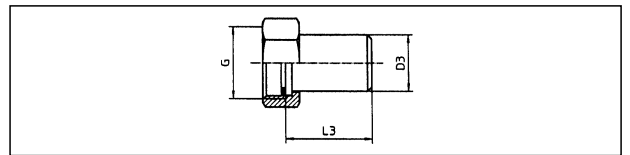
DN	Connection thread valve	L ₂	D ₂
15	3/4"	18	15
15	3/4"	20	18
20	1"	23	22
25	1 1/4"	27	28
32	1 1/2"	32	35
40	1 3/4"	37	42
50	2 3/8"	42	54



Set 4 Item no. 420 20 72-78

Set 5: Weldable tailpipe (steel), with collar nut and ring gasket

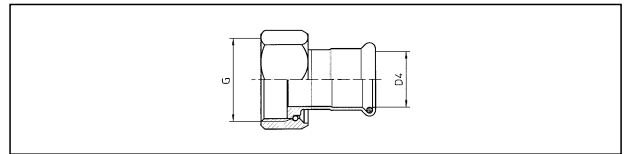
DN	Connection thread valve	L ₃	D ₃
15-50	3/4" - 2 3/8"	35-50	20.5-60



Set 5 Item no. 420 05 72-77

Press fitting made of stainless steel

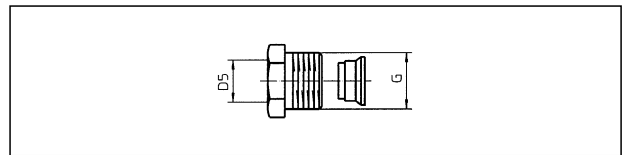
DN	Connection thread valve	D ₄
15	3/4"	15
15	3/4"	18
20	1"	22
25	1 1/4"	28
32	1 1/2"	35
40	1 3/4"	42
50	2 3/8"	54



Item no. 420 15 00

Set of compression fittings for copper pipe, compression nut and compression ring made of brass

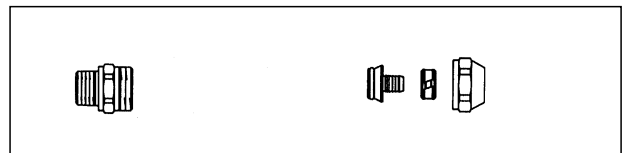
DN	G	D ₅
15	1/2"	10 mm
15	1/2"	12 mm
15	1/2"	14 mm
15	1/2"	15 mm
15	1/2"	16 mm
20	3/4"	18 mm
20	3/4"	22 mm



Item no. 102 71 50-58

Compression fittings for composition pipe "Copipe" bronze outlet, compression ring and collar nut made of bronze

DN	Connection thread Connection piece/double nipple	Size-pipe
10	3/4"	16 mm x 2.25 mm
15	3/4"	20 mm x 2.50 mm
20	1"	26 mm x 3.00 mm
25	1 1/4"	32 mm x 3.00 mm



Double nipple
Item no. 150 31 52-55

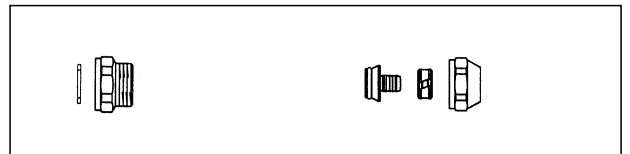
Compression fittings
Item no. 150 79 76-85

Double nipple, bronze

DN	Size
15	1/2" x 3/4" M
20	3/4" x 1" M
25	1" x 1 1/4" M

Connection piece, bronze, with flat seal

DN	Size
15	3/4" F x 3/4" M
20	1" F x 1" M
25	1 1/4" F x 1 1/4" M



Connection piece
Item no. 150 30 52-56

Compression fittings
Item no. 150 79 76-85

Subject to technical modification without notice.

Product range 13
ti 95-1/10/10.98/MW