



The Oventrop Quality Management System is certified to DIN-EN-ISO 9001

Pump check valves "Flowstop" PN 10

Technical information

Tender specification:

Oventrop pump check valve "Flowstop" PN 10, up to 120°C. Automatically operating pump check valve for the direction connection **at the inlet of the circulation pump**.

Facility for emergency opening of the valve by use of a screwdriver, e.g. for gravity operation.

Connection: Flanged connection to the pump and male or female connection 1" and 1¼" to the pipework.

Application:

Pipework with circulation pump, e.g. hot water central heating systems with circulation pump.

Bivalent heating or hot water supply systems.

Hot water supply or storage using separate boilers.

Temperature up to 120 °C.

When installing the pump check valves, the opening pressure of about 20 mbar (~ 200 mm WG) has to be taken into consideration.

Function:

Oventrop pump check valves automatically prevent undesired gravity circulation within the pipework.

The automatic pump check valve which closes immediately after loss of pressure of the circulation pump, can be opened manually for deaeration of the system or in the event of breakdown, e.g. failure of the pump. The now available gravity circulation normally suffices to prevent the freezing up of the system.

The pump check valve is installed in the direction of flow at the pump inlet. This special type of installation prevents an accumulation of air in the pump in case of failure of the latter. The circulation pump always remains filled with water, i.e. dry nurring is impossible.

Brass body, valve disc made of temperature-resistant plastic, stainless steel spring

Available with flanged connection to the pump and male or female connection 1" and 1¼" to the pipework.

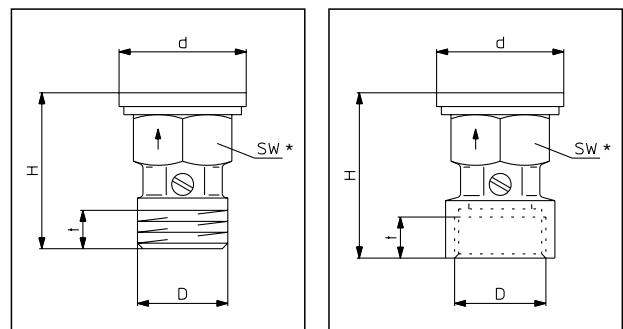
Advantages:

Oventrop pump check valves can be directly connected to the circulation pump. As a result, additional sealing points (and potential leak sources) are eliminated and a lower overall length of coupled components is achieved.

In order to avoid accumulation of air in the pump in case of failure of the latter, a vertical installation is recommended. A horizontal installation is possible, too.



Dimensions:



Sizes and item nos. for pump check valve with male thread:

DN	D	d	H	t	SW*	Item no.
25	G 1	44,5	63,5	15	36	107 04 08 ¹⁾
32	G 1¼	56	70,5	16	48	107 04 10 ²⁾

Sizes and item nos. for pump check valve with male thread:

DN	D	d	H	t	SW*	Item no.
25	G 1	44.5	63.5	15	36	107 06 08 ¹⁾
32	G 1¼	56	73	18	48	107 06 10 ²⁾

¹⁾ for direct connection to the circulation pump 1" (DN 25)

²⁾ for direct connection to the circulation pump 1¼" (DN 32)

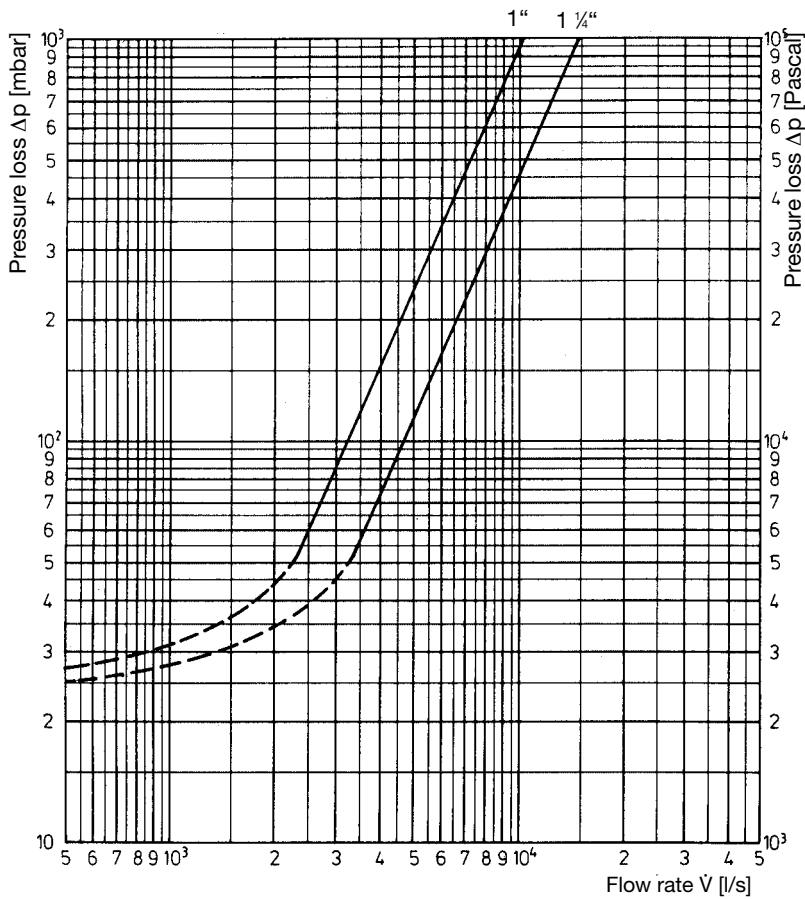
Performance data:

DN	di	kv	Zeta	Item no.
25	27.2	10.1	8.6	107 04 08 / 06 08
32	35.9	14.5	12.6	107 04 10 / 06 10

Zeta values related to the inner diameter of the pipe according to DIN 2440.

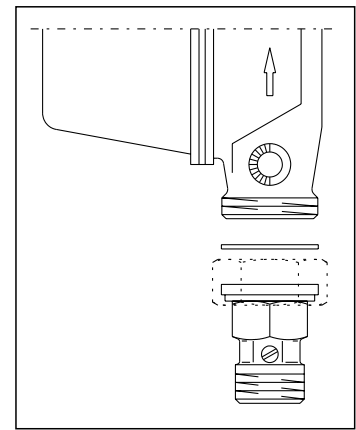
* SW = spanner size

Performance data:

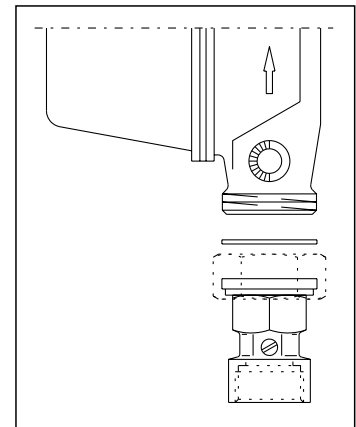


Example of installation:

Installation at the **pump inlet:**

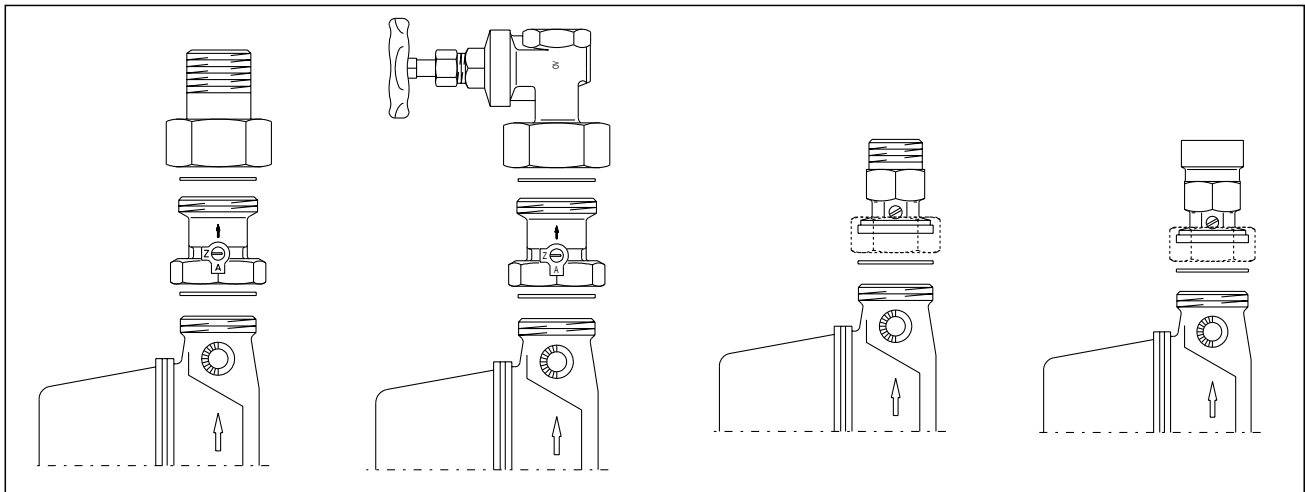


Item no. 107 04 ..



Item no. 107 06 ..

Installation at the pump outlet:



Item no. 107 00 .. 107 03 ..

107 00 .. 107 03 ..

107 01 ..

107 02 ..

Subject to technical modification without notice.
 Product range 6
 ti 21-1/10/MW
 Edition 2006

OVENTROP UK LTD.
 Unit 1 – The Loddon Centre
 Wade Road
 Basingstoke, Hampshire RG24 8FL
 Great Britain
 Telephone (01256) 330441
 Telefax (Sales) (01256) 330525
 Telefax (General) (01256) 470970
 E-Mail sales@oventrop.co.uk

F. W. OVENTROP GmbH & Co. KG
 Paul-Oventrop-Straße 1
 D-59939 Olsberg
 Germany
 Telephone (02962) 82-0
 Telefax (02962) 82-450
 E-Mail mail@oventrop.de
 Internet www.oventrop.de