
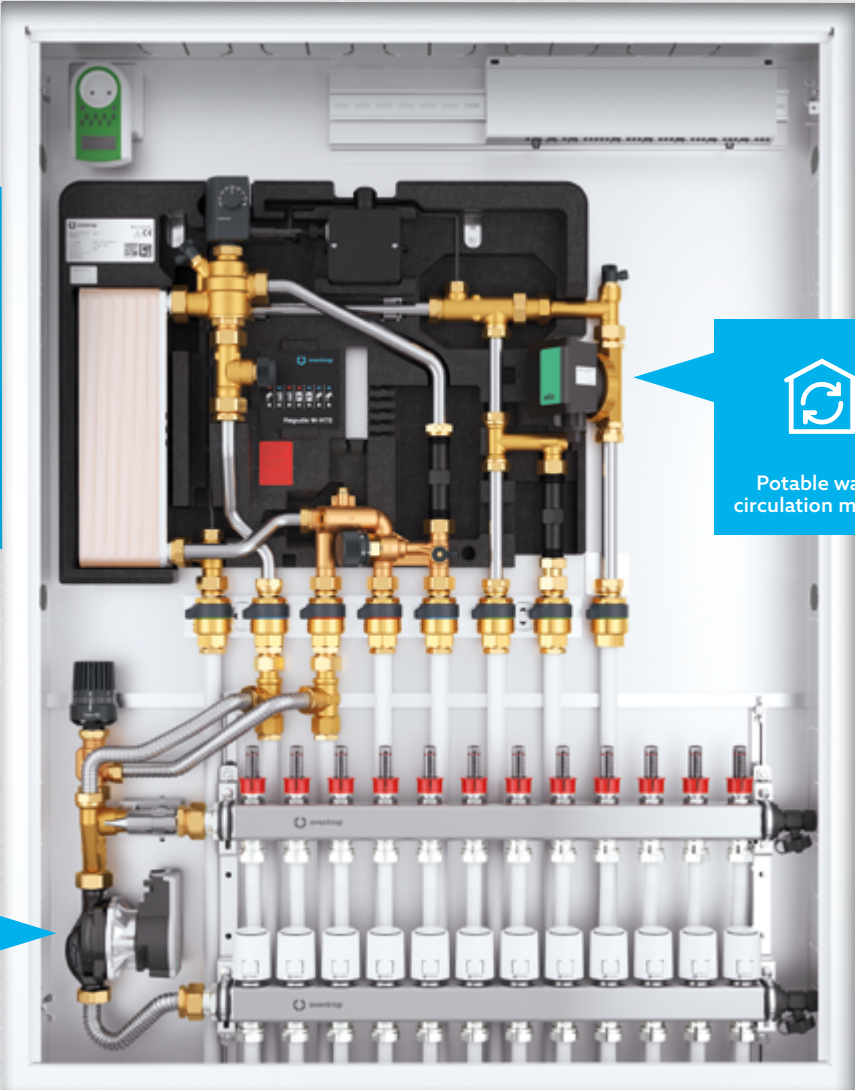





# Regudis W-HTE Electronic Dwelling Station

100 % efficiency for heat pumps.

Know a system solution.  
**Master all challenges.**

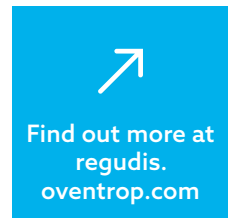


Flow temperature control module



Potable water circulation module

# With our dwelling stations you install in a contemporary way.



With the **Regudis W-HTE** – our dwelling station – you control hot potable water preparation in a modern way: Decentralised hot potable water preparation with dwelling stations is considered a small system. Therefore, it does not fall under the obligation to test for legionella according to the Potable Water Ordinance. **Decentralised hot potable water preparation** is considered particularly hygienic – and you are on the safe side.

Our **Regudis W-HTE** is a **pioneering system solution**. That means for you: You only need to be familiar with one product and can extend it by modules. This allows you to adapt the station to new applications or add further functions, for example with our **instantaneous water heater module** or our **Duo heating circuit separation module**. We also make installation easy for you: the **Regudis W-HTE** is clearly structured so that you can install it quickly.

Our **Regudis W-HTE** also leads the way in terms of hydraulic key figures: The **Regudis W-HTE** is **currently the benchmark** in terms of pressure loss, discharge capacity and the low system temperature required – other products on the market do not achieve these values. Together with a smart insulation concept, our dwelling stations ensure energy-efficient operation of the system and a high level of comfort for your customers.

## BENEFITS FOR INSTALLERS



- + **Simple installation:** only three supply pipes required
- + **Safe hygiene** through decentralised hot potable water preparation according to the continuous flow principle
- + **System solution:** extendable e. g. by the instantaneous water heater module
- + **Compact design:** 110 mm installation depth
- + **Innovative heat exchanger** with Sealix® protective layer for more safety at installation sites with critical water conditions

## BENEFITS FOR THE CONSULTANT



- + **Safe dimensioning of large potable water installations:** proven operational safety and high planning reliability
- + **Safe hygiene** through decentralised hot potable water preparation according to the continuous flow principle
- + **Efficient operation** even with low temperature systems
- + **Smart insulation concept:** heat-carrying and cold-carrying components are separated
- + **High discharge capacities** even at lower flow temperature
- + **Optimised performance** even with pressure loss

# Decentralised hot potable water preparation: modern and hygienic



In 2011, there was an *amendment to the Potable Water Ordinance*. Since then, hot potable water preparation has been rethought. The background: The Potable Water Ordinance differentiates between large and small systems. A large system is defined as a central storage water heater with a capacity of more than 400 litres or if the pipe between the water heater and the last draw off point exceeds 3 litres. Normally, this is always the case for multiple dwellings with three or more residential units.

## LARGE SYSTEMS

In these *large systems* there is a *duty to examine the potable water* at least every three years, among other things for legionella. The examination is time-consuming and expensive. If certain limit values are exceeded, this must be reported to the public health department and a hazard analysis must be carried out, which is associated with further costs.

## SMALL SYSTEMS

*Small systems* have the advantage that they can be operated without any further requirements – which is why people have been focusing on *decentralised hot potable water preparation* for some years now. Dwelling stations are the solution for this, as they are installed in the dwelling and the pipe content up to the draw off points is usually less than 3 litres. In addition, water and heat meters can be installed via spacers and billing can be done by dwelling.

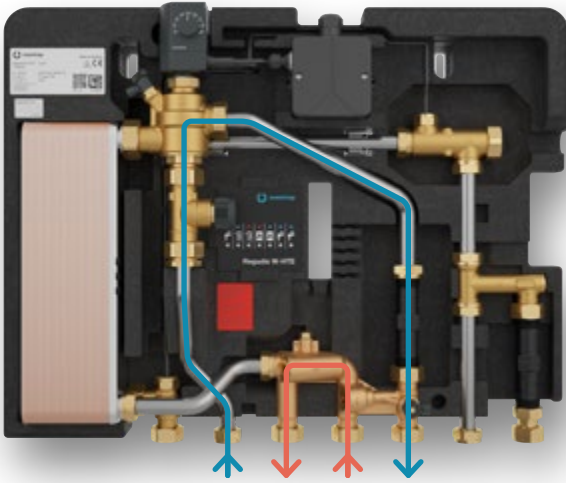


  
Stations,  
Storage cylinders

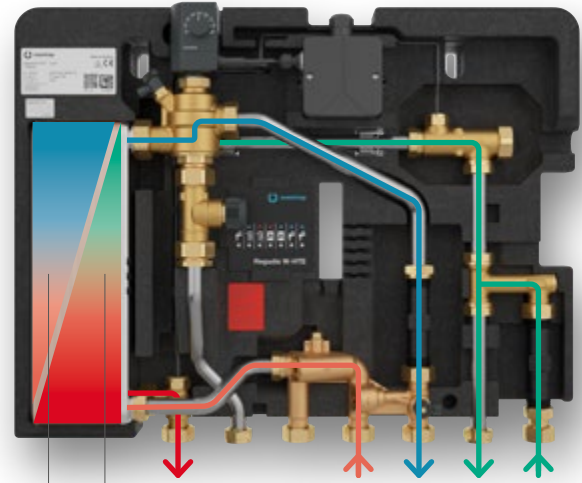


Regudis W-HTE

# Dwelling station redefined



HC return   HC supply   Primary supply   Primary return



Heating Potable water   PWH   Primary supply   Primary return   PWC

## HEATING MODE

Heating water flows into the heating circuit supply of the dwelling (HC supply) via the primary supply. The control valve opens the path from the heating circuit return (HC return) to the primary return.

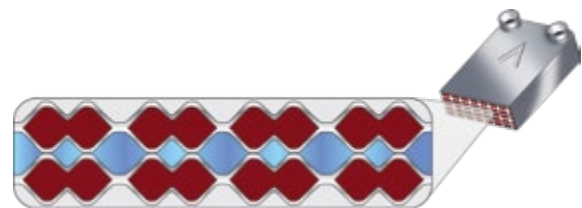
## POTABLE WATER MODE

When opening the draw off point – hot water demand (PWH) – the control valve switches to the **potable water priority function**. The heating water of the primary supply flows via the plate heat exchanger into the primary return. In this process, the cold potable water (PWC) heats up according to the continuous flow principle and is available at PWH.

# Efficient energy supply

The plates of the heat exchanger are asymmetrically arranged – this **reduces pressure losses** and allows for **lower flow temperatures**.

Due to the hydraulically optimised pipe layout and a powerful plate heat exchanger, **very high discharge capacities** are possible. In addition, you can adjust the discharge capacities and flow temperatures individually to the system parameters. Especially in low temperature systems such as heat pump systems, you can achieve a **positive overall energy balance** this way.



## DIMENSIONING

Excess temperature	0 K	15 K	Heat exchanger	Item no.
Performance range 1	11 l/min	21 l/min	Copper brazed	1344030
Performance range 2	15 l/min	25 l/min		1344031
Performance range 3	20 l/min	30 l/min		1344032
Performance range 1	11 l/min	21 l/min	Copper brazed, Sealix®	1344050
Performance range 2	15 l/min	25 l/min		1344051
Performance range 3	20 l/min	30 l/min		1344052

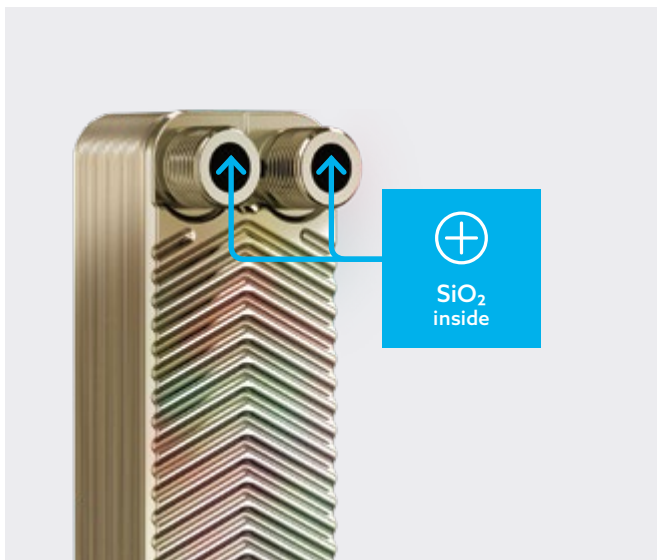
According to SPF test procedure

# Keeps its promise: the Sealix® protective layer

## HIGHEST SAFETY DURING HOT POTABLE WATER PREPARATION

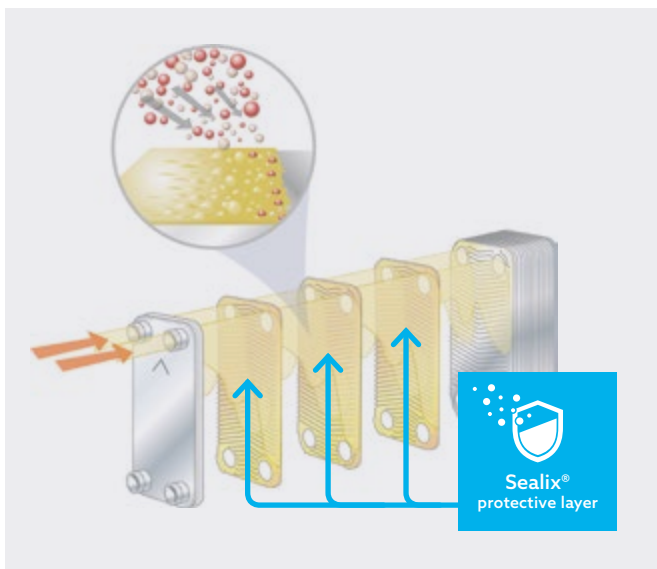
Optionally, our Regudis dwelling stations are available with Sealix® protective layer.

The Sealix® protective layer provides *effective all-round protection* of the complete heat exchanger. This significantly reduces corrosion, calcification and fouling.



## ADVANTAGES OF THE SEALIX® PROTECTIVE LAYER

- + Surface with *lotus effect* reduces deposits
- + *Low* calcification risk
- + *Longer service life* due to primary and secondary protection
- + *Highest* media resistance
- + *Repellent* surface structure
- + *Reduced* maintenance costs
- + *Reduced pressure losses* due to asymmetric plate arrangement



Sealed with silica for additional safety  
in locations with critical water conditions  
(chloride content up to 150 mg/l)

# Modular extension of the dwelling station? Efficient reheating control.



Instantaneous  
water heater module

## REGUDIS W-HTE INSTANTANEOUS WATER HEATER MODULE

Item no. 1344560

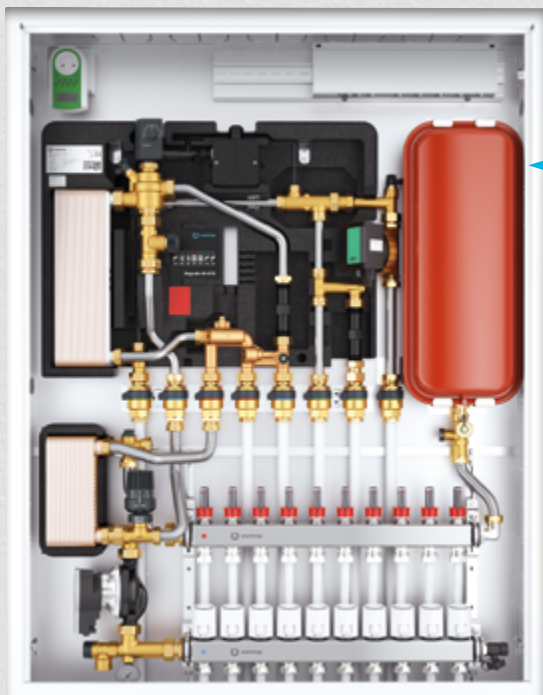
Extend the Regudis W-HTE by our **instantaneous water heater module** if hot potable water needs to be reheated. For example, if an air heat pump is operated – it then only has to generate the flow temperature for the heating system. The **instantaneous water heater module** is easily compatible with the Regudis W-HTE.

- + **Compatible** with the system solution Regudis W-HTE
- + **Efficient use** also with air heat pumps



# Separation of the heating circuits?

Safe with this module.



Duo Heating circuit separation module

## REGUDIS W-HTE DUO HEATING CIRCUIT SEPARATION MODULE

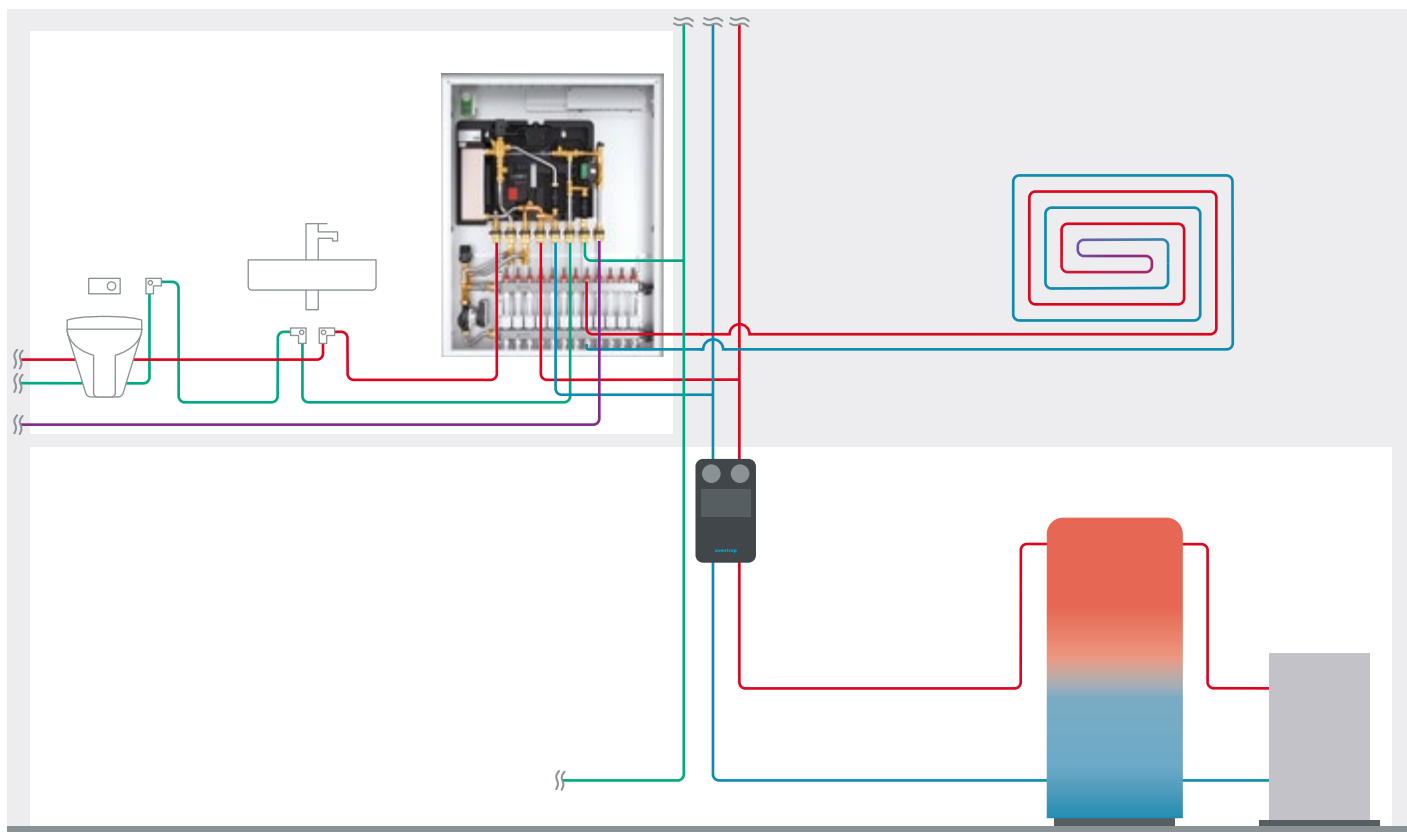
Item no. 1344576

You want to separate the heating circuit of a dwelling from the heating circuit of the building? Our Duo heating circuit separation module safely separates the systems, for example when operating in a local heating network. Separating the circuits also creates additional safety in the event of possible leaks.

- + *Compatible* with the system solution Regudis W-HTE
- + *Safety* through additional system separation
- + *Legal demarcation* for energy contracting

# Pioneering system solutions for hygienic hot potable water preparation

## TWO-PIPE SYSTEM



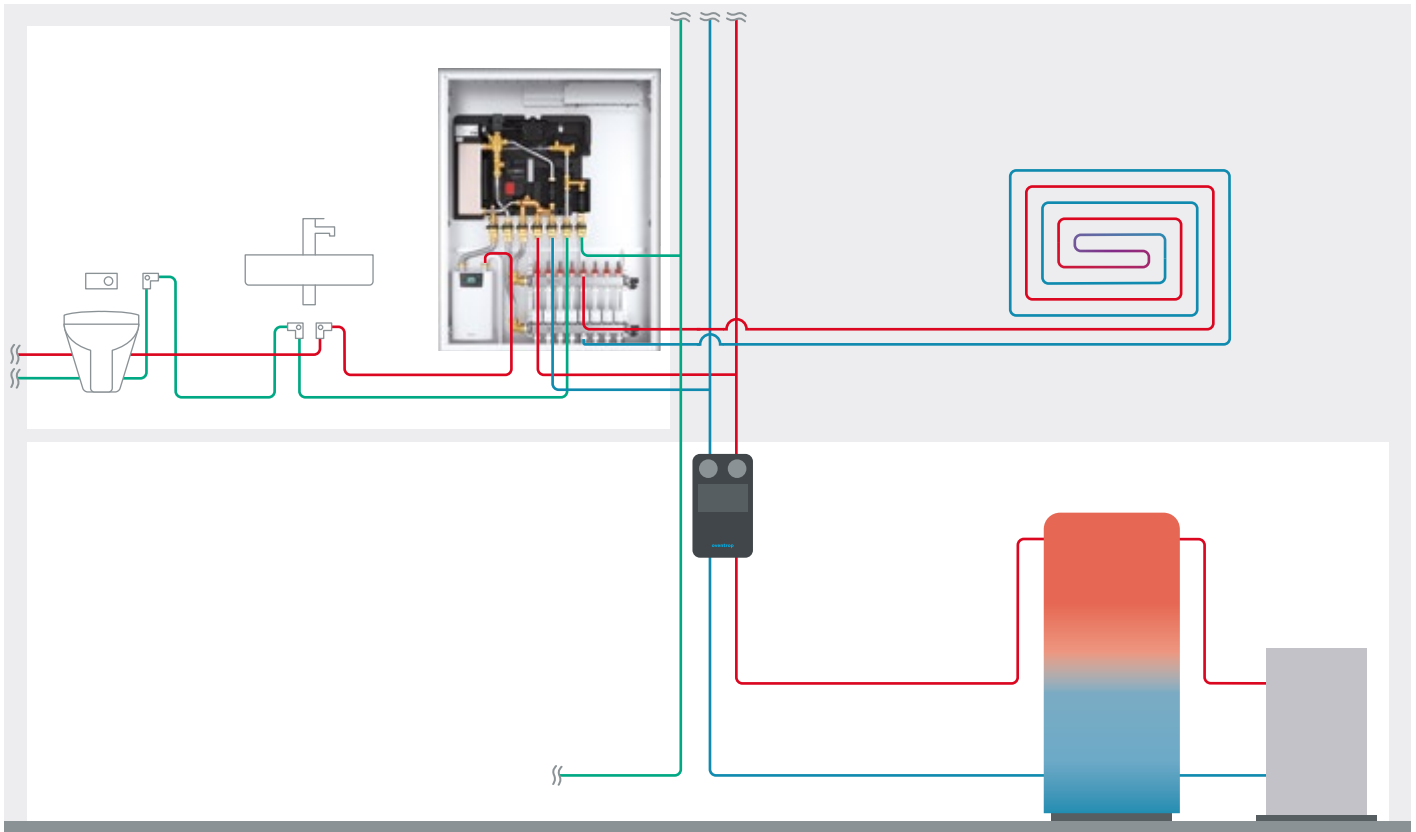
The classic two-pipe system consists of a supply and a return pipe to the dwelling stations, with which both the *dwelling is heated* and the *hot water is produced using the continuous flow principle*. In addition, there is the cold water pipe. The system is operated via a heat generator with buffer storage cylinder.

### YOUR BENEFITS

- + *Only three supply pipes:* Cold water, supply and return
- + *Only one* heat and one water meter each
- + *Any heat generator*, e.g. gas, oil or solid fuel can be used
- + *No obligation to test* for legionella according to the German Potable Water Ordinance (TrinkwV)
- + *No hot potable water storage* required
- + *Low* maintenance costs



## TWO-PIPE SYSTEM WITH INSTANTANEOUS WATER HEATER MODULE



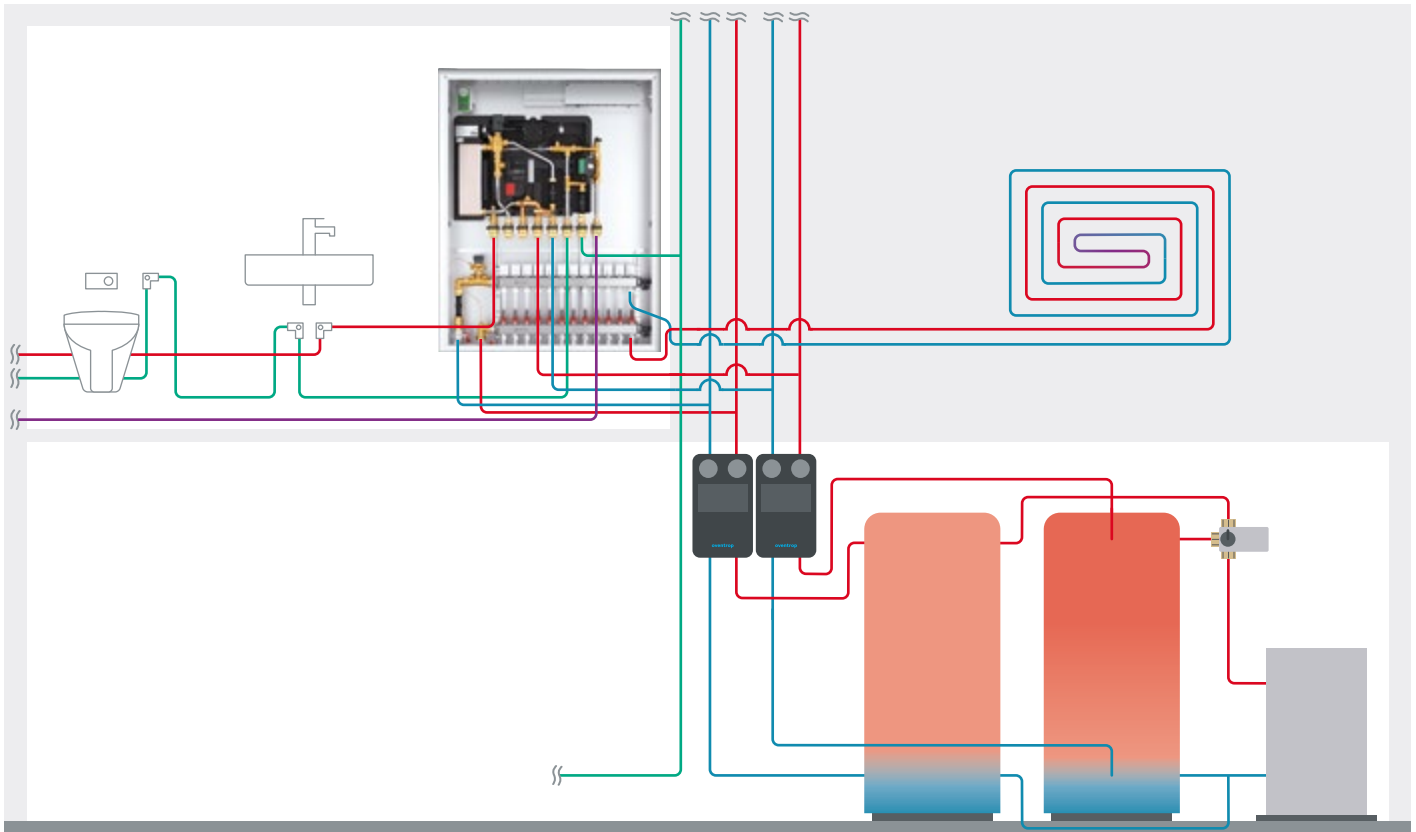
The classic two-pipe system in combination with the **instantaneous water heater module** combines the advantages of a **simple installation** with a **highly efficient operation of a heat pump** at the same time. The system is operated via a heat generator with buffer storage cylinder and the installation consists of one supply and one return and the cold water pipe.

### YOUR BENEFITS

- + **Only three supply pipes:** Cold water, supply and return
- + **Only one heat and one water meter** each
- + **Efficient operation** with heat pumps possible



## FOUR-PIPE SYSTEM



The four-pipe system consists of a supply network for *heating the dwellings* and a separate network for the respective *hot water preparation* in the dwellings. Two buffer storage cylinders with different temperatures are used here: the low-temperature storage cylinder for the surface heating and the higher-temperature storage cylinder for the hot water preparation.

### YOUR BENEFITS

- + High-temperature storage cylinder can be *loaded by several heat generators*
- + *Hydraulically easy to plan* due to separate supply and return pipes for the two systems
- + *Efficient operation* with heat pumps possible
- + One system for *heating and cooling*
- + *High comfort* due to high discharge capacity and potable water *circulation*

# Modular accessories

## 100 % intelligent



+ Heating circuit connection fitting



+ Derivative temperature control set



+ Front insulation shell



+ Connection and shutoff set



+ Connection and shutoff set for potable water circulation module



+ Stainless steel spacer



+ Plug set for installation in a four-pipe system



+ FloorCon electrical connecting block



+ Flush-mounted cabinet



+ Regubox exclusive surface-mounted bonnet



+ Regtronic RD-W system controller



+ ClimaCon F room thermostat



Download now  
free of charge

## Clean design? Supported by us.

You want to design systems with the Regudis W dwelling station? It's very easy with our **OVplan** planning software. If you want, we can do the design for you – just contact us.

### **SUPPORT FOR THE DESIGN OF SYSTEMS WITH REGUDIS W-HTE**

---

For further information and our current regional offers, please contact your local Oventrop contact person directly.

Download **OVplan** now free of charge at  
[oventrop.com/qr/ovplan](https://www.ventrop.com/en/ovplan)





Room climate



Hydronics



Stations,  
Storage cylinders



Potable water



Oil



Smart Home,  
Smart Building

Oventrop is the partner for efficient heating, cooling and clean potable water. The modular systems and services offer pioneering solutions which all HVAC experts use to work with – easily and flexibly – from planning to installation, from industry to trade. As a family business, Oventrop accompanies all its partners over many years – competently and personally.