

**Einbau- und Betriebsanleitung
für den Fachhandwerker** (DE)

Betriebsspannung:	24 V AC ± 10% (50/60 Hz) 24 V DC ± 10%
Leistungsaufnahme:	0,8 W Wirkleistung 2,5 VA Scheinleistung
Ansteuerung (Y):	0-10 V DC
Anschlusskabel:	5 x 0,25 mm ²
max. Hub:	4 mm
Stellkraft:	150 N
Stellzeit:	ca. 15 s/mm
Stellungsrückmeldung (Y0):	0-10V DC, 5mA für 0-100% Stellhub
Schutzart:	IP 40 nach EN60529
Umgebungstemperatur:	0 - +50 °C (Luftfeuchte nicht kondensierend)
Medientemperatur:	0 - 100 °C

Oventrop GmbH & Co. KG
Paul-Oventrop-Str. 1
D-59939 Olsberg
www.ventrop.de

Eine Übersicht der weltweiten Ansprechpartner
finden Sie unter www.ventrop.de.

Technische Änderungen vorbehalten.

**Installation and operating instructions
for the specialised installer** (EN)

Working Voltage:	24 V AC ± 10% (50/60 Hz) 24 V DC ± 10%
Power consumption:	0,8 W active power 2,5 VA apparent power
Drive (Y):	0-10 V DC
Connecting cable:	5 x 0,25 mm ²
Max. piston stroke:	4 mm
Actuating power:	150 N
Floating time:	about 15 s/mm
Positioning feedback (Y0):	0-10V DC, 5mA for 0-100% nominal stroke IP 40 accord.to EN60529
Protection:	IP 40
Ambient temperature:	0 - +50 °C (not condensed humidity)
Fluid temperature:	0 - 100 °C

For an overview of our global presence visit
www.ventrop.com.

Subject to technical modification.

**Notice d'installation et d'utilisation
pour le professionnel** (FR)

Tension de service:	24 V AC ± 10% (50/60 Hz) 24 V DC ± 10%
Consommation de courant:	0,8 W puissance réelle 2,5 VA puissance apparente
Commande (Y):	0-10 V DC
Câble de raccordement:	5 x 0,25 mm ²
Levée max.:	4 mm
Force de réglage:	150 N
Temps de réglage:	environ 15 s/mm
Signal de recopie (Y0):	0-10V DC, 5mA pour une course de 0-100%
Type de protection:	IP 40 selon EN60529
Température ambiante:	0 - +50 °C (Humidité relative, non condensant)
Température du fluide:	0 - 100 °C

Vous trouvez une vue d'ensemble de nos
interlocuteurs dans le monde entier sur
www.ventrop.com.

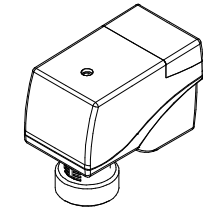
Sous réserve de modifications techniques.

oventrop

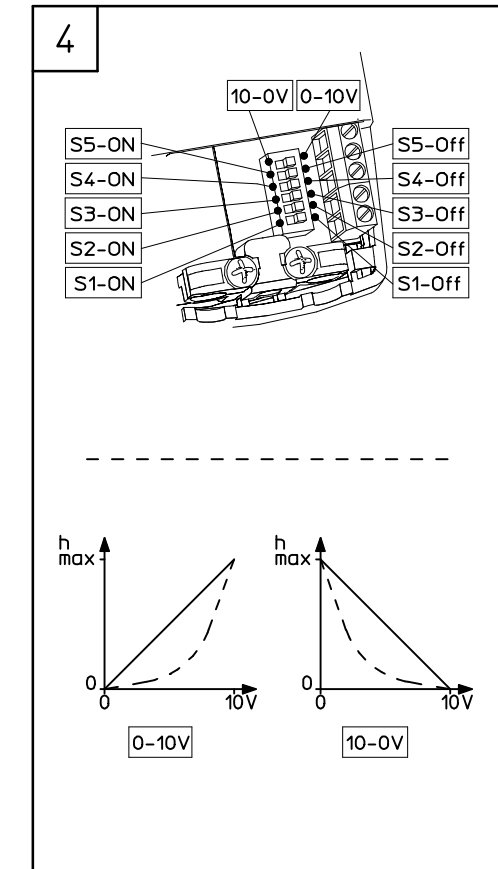
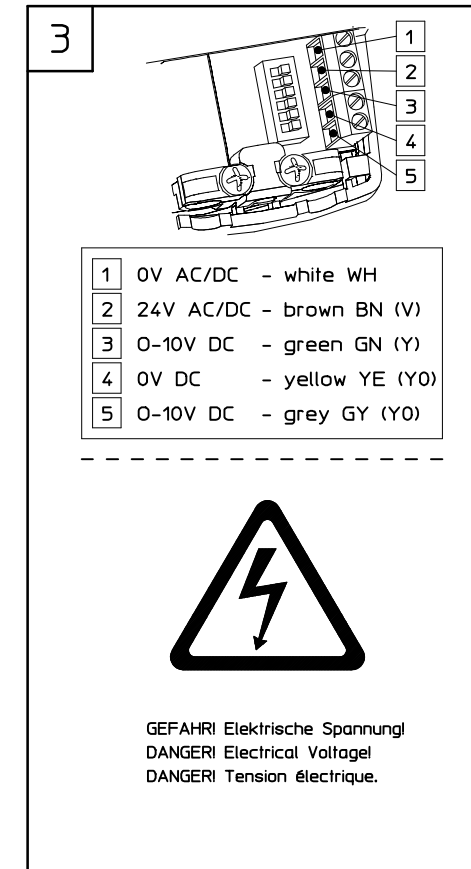
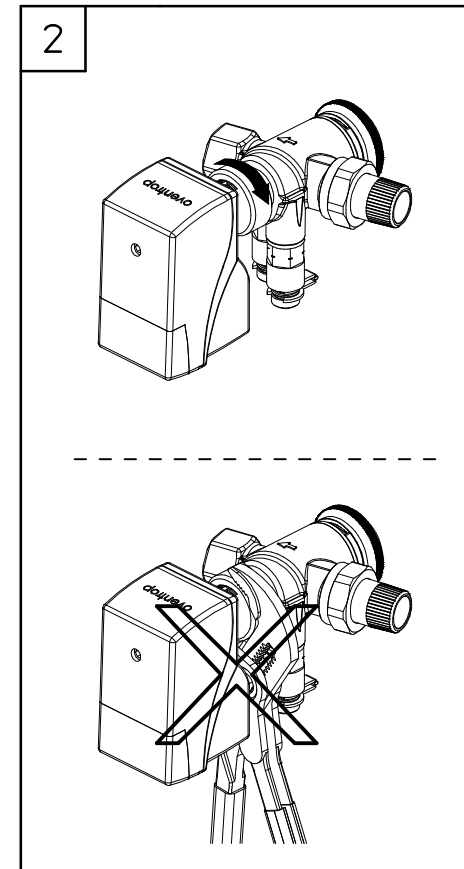
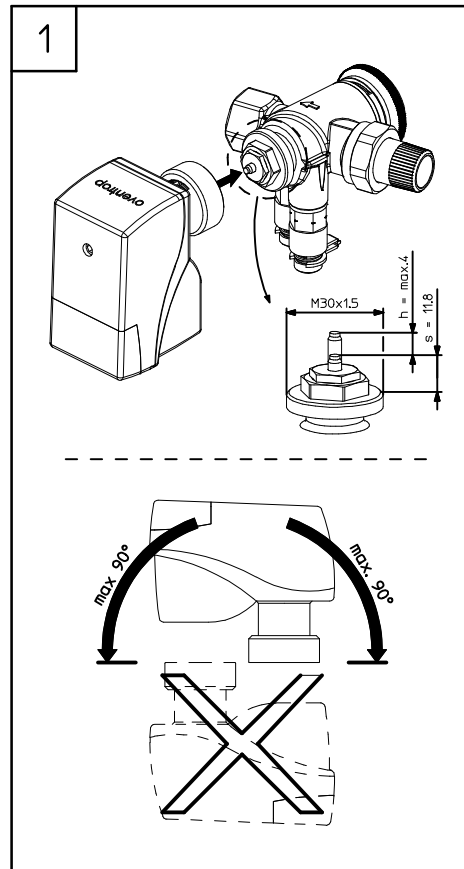
Modulierender elektromotorischer Stellantrieb
mit Stellungsrückmeldung

Modulating electromotive actuator
with positioning feedback

Modulant servo-moteur
avec signal de recopie



101270680 10/2016



Einstellung der Kennlinien
Settings of characteristic lines
Ajustement des courbes de fonctionnement

Ventil + Stellantrieb Valve + actuator Robinet + moteur				
Ventiltyp valve type type du robinet	Ausführung model modèle	Einstellbereich setting range plage de réglage	DIP-Schalter DIP-switch sélecteur DIP	DIP-Schalter DIP-switch sélecteur DIP
			S1 S2 S3 S4 S5	S1 S2 S3 S4 S5
	DN 10/15 30 - 210 l/h	30 - 90 l/h 91 - 150 l/h 151 - 210 l/h	off off off on off on off off on off off on off on off	on on off on on on off on on on on off on on on
	DN 10/15 90 - 450 l/h	90 - 150 l/h 151 - 250 l/h 251 - 450 l/h	on on off on off off off on on off on off on on off	off off on on on on off on on on
	DN 15/20 150 - 1050 l/h	150 - 200 l/h 201 - 300 l/h 301 - 600 l/h 601 - 1050 l/h	off on on on off off off on off on on on on on off off off off off on	off on off on on off off on on on on off on on on
	DN 20 180 - 1300 l/h	180 - 400 l/h 401 - 500 l/h 501 - 600 l/h 601 - 700 l/h 701 - 1300 l/h	on off off off on on off off on off off on off on off off on off off on on on off off on	off on off on on on on off on on on on off on on off on on on on off on on on on
	DN 25 300 - 2000 l/h	300 - 400 l/h 401 - 600 l/h 601 - 900 l/h 901 - 1400 l/h 1401 - 2000 l/h	off off on off on off off on on off off off off off on on off on on on off on on off on	off off on on on on off on on on on off on on on off on on on on on on on on on
	DN 32 600 - 3600 l/h	600 l/h 601 - 800 l/h 801 - 1600 l/h 1601 - 3600 l/h	on on on off on off off off on on off off off on on off off off off off	on off on on on on on on on on on on on on on on on on on on
	kvs = 0,45	0,25 U. 0,26 - 0,5 U. 0,6 - 4 U.	off off on off off off on off on off off on off off off	off on off on off
	kvs = 1,0	0,5 - 1 U. 1,1 - 4,5 U.	on off off on off off off off off on	on on on on on
	kvs = 1,8	0,5 - 7 U.	on off off on off	
		kvs = 4,5	0,75 - 1 U. 1,1 - 7 U.	off on off on off off on on off on

Einstellung der Kennlinien
Settings of characteristic lines
Ajustement des courbes de fonctionnement

Ventil + Stellantrieb Valve + actuator Robinet + moteur				
Ventiltyp valve type type du robinet	Ausführung model modèle	Einstellbereich setting range plage de réglage	DIP-Schalter DIP-switch sélecteur DIP	DIP-Schalter DIP-switch sélecteur DIP
			S1 S2 S3 S4 S5	S1 S2 S3 S4 S5
	AV9	VE 3, 4, 5, 6 VE 7, 8 VE 9	off on on off off on off on off off off off on off off	
	AV6	VE 2, 3 VE 4, 5 VE 6	off on on off off on off on off off off off on off off	
	AF	VE 1, 2, 3, 4 VE 5, 6	on on on off off off on on off off	
	AZ/A		on off off off on	on on off on off
	PTB kvs=0,45		off on off off off	off on off on off
	PTB kvs=0,80		off off off off on	on on on on on
	DN 15 kvs = 1,7	0,5 - 0,75 U. 0,76 - 1 U. 1,1 - 3 U.	off on on off off on off on off off off off on off off	
	DN 20 kvs = 2,7	0,5 - 0,75 U. 0,76 - 1,5 U. 1,6 - 3 U.	off on on off off off on off on off off on on off on	
	DN 25 kvs = 3,6	0,5 - 0,75 U. 0,76 - 1,0 U. 1,1 - 1,5 U. 1,6 - 3,0 U. 3,1 - 3,5 U.	on on on off off off on on off off on off off on off off off off off on off on off off on	
	DN 32 kvs = 6,8	0,5 U.	on on on off off	
		0,6 - 1,0 U.	off on on off off	
		1,1 - 1,5 U.	on off on off off	
1,6 - 2,0 U.	off off on off off			
2,1 - 2,5 U.	on on off off off			
2,6 - 3,0 U.	on off off off off			
3,1 - 4,0 U.	off off off off off			

Einstellung der Kennlinien
Settings of characteristic lines
Ajustement des courbes de fonctionnement

Ventil + Stellantrieb Valve + actuator Robinet + moteur				
Ventiltyp valve type type du robinet	Ausführung model modèle	Einstellbereich setting range plage de réglage	DIP-Schalter DIP-switch sélecteur DIP	DIP-Schalter DIP-switch sélecteur DIP
			S1 S2 S3 S4 S5	S1 S2 S3 S4 S5
	DN 40 kvs = 10	0,5 - 0,75 U. 0,76 - 1,0 U. 1,1 - 1,5 U. 1,6 - 2,0 U. 2,1 - 2,5 U. 2,6 - 3,0 U. 3,1 - 4,0 U.	off on on off off on off on off off off off on off off on on off off off off on off off off on off off off off off off off off off	
Fremdfabrikate Other manufacturers Autres fabricants (M30x1,5, s=11,8mm)	Ventilhub h valve lift h levée du robinet h	h = 0,5 mm	on on on off off	on off off on on
		h = 1,0 mm	off on on off off	
		h = 1,5 mm	on off on off off	off on off on on
		h = 2,0 mm	off off on off off	on on off on on
		h = 2,5 mm	on on off off off	off off on on on
h = 3,0 mm	off on off off off	on off on on on		
h = 3,5 mm	on off off off off	off on on on on		
h = 4,0 mm	off off off off off	on on on on on		