

#### Fill and drain valve, brass, PN 12.5

with male thread, self sealing, with hose connection (soft seal) and cap

#### Application:

The Oventrop fill and drain valve with hose connection is used for heating systems, boilers, radiators and pipework which have to be equipped with a filling and draining facility.

The fill and drain valve with hose connection is suitable for treated heating water with a glycol proportion up to 50 %.

**Item no.:** 1033504

#### Technical data:

**Connections:** Installation with male thread, self sealing, outlet port with hose connection

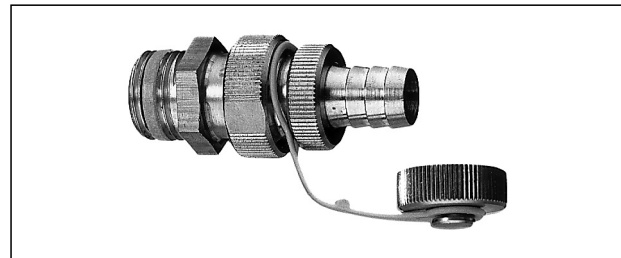
**Application:** Water, heating water with a glycol proportion up to 50 %

**Operating pressure  $p_s$ :** 12.5 bar (PN 12.5)

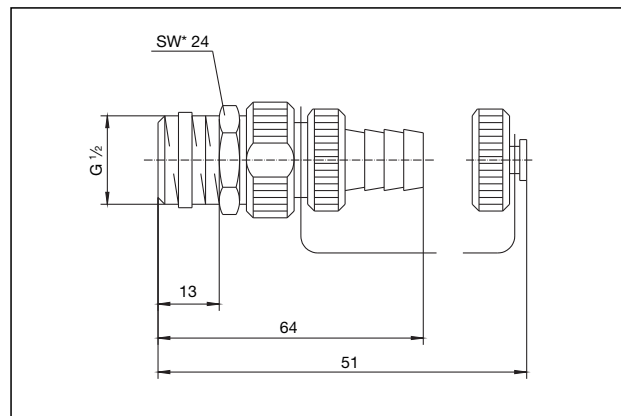
**Operating temperature  $t_s$ :** 0 °C up to 120 °C

**Material:** CuZn40Pb2 according to DIN EN 12164

**Seals:** EPDM



Fill and drain valve with hose connection



Dimensions

\*SW = Spanner size

OVENTROP GmbH & Co. KG  
Paul-Oventrop-Straße 1  
D-59939 Olsberg, Germany  
Phone +49 (0)29 62 82-0  
Fax +49 (0)29 62 82-450  
E-Mail mail@oventrop.de  
Internet www.oventrop.de

For an overview of our global presence  
visit [www.oventrop.de](http://www.oventrop.de).

Subject to technical modification without notice.

Product range 6  
ti 298-EN/10/MW  
Edition 2015