

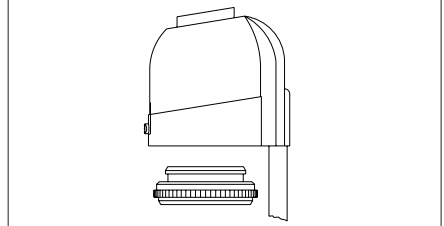
1" Stainless Steel Manifolds for Radiant Floor Systems

24 V Actuator Installation Instructions

- Install grey connecting ring to valve head first, then actuator to connecting ring
- Follow written instructions included in actuator packaging

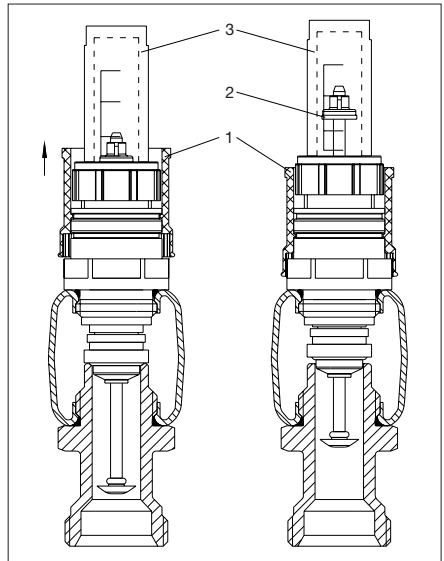
Important

- Actuators will not operate until approx. 6 minutes after initially being powered
- To avoid possible short cuts do not install valves and actuators upside down.



Flow Meter Setting Instructions

- Open all valves to the system
- Make sure that circulators are running
- Lift the locking sleeve (1) until it clicks into position
- Set the calculate flow rate by turning the locking sleeve (1) of the first flow measuring devices
- Actual settings can be read on the scale (2) inside the glass (3)
- Complete settings in all circuits, check all settings and correct if necessary
- With the setting being completed, the flow measuring devices have to be protected against unauthorised tampering by pushing the locking sleeve (1) down



Subject to technical modification without notice.
Made in Germany.

1" Stainless Steel Manifolds for Radiant Floor Systems

Supply and Return Manifolds, made of Stainless Steel (1.4301) for Forced Water, max. 90 psi Operating Pressure

General Description

Available for connection to 2 to 12 loops
 1" Female Union connections
 3/4" Male Euroconus loop connections
 Max. operating temperature of Flow Meter Manifolds is 160 °F

Standard delivery includes

- (2) Fill and Drain Valves
- (2) 1" Sweat Tail pieces
- (2) Sound Isolated Brackets
- Inline Flow Meters 0.4 - 1.2 GpM, with isolating capability

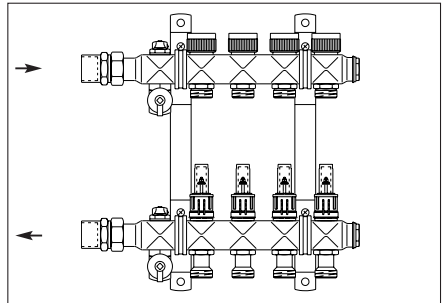


1" Stainless Steel Manifold (with optional Cabinet)

Part Numbers and Dimensions

Flow Meter Manifold with Valves

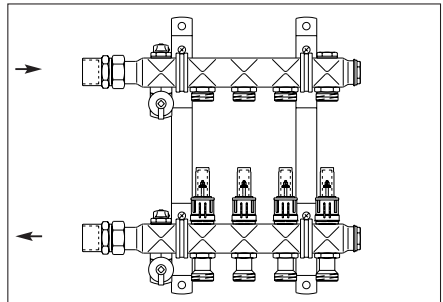
Part Number	Manifold Loops
140 41 72	2
140 41 73	3
140 41 74	4
140 41 75	5
140 41 76	6
140 41 77	7
140 41 78	8
140 41 79	9
140 41 80	10
140 41 81	11
140 41 82	12



Flowmeter Manifold with Valves

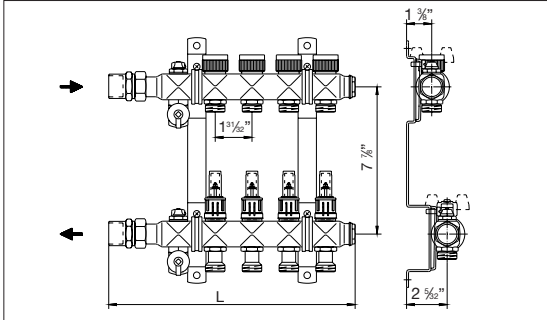
Flow Meter Manifold Valveless

Part Number	Manifold Loops
140 42 72	2
140 42 73	3
140 42 74	4
140 42 75	5
140 42 76	6
140 42 77	7
140 42 78	8
140 42 79	9
140 42 80	10
140 42 81	11
140 42 82	12



Flow Meter Manifold valveless

1" Stainless Steel Manifolds for Radiant Floor Systems



Overall Dimensions incl. Sweat Tails

# of Loops	L mm	L Inches
2	237	9 ³ / ₁₆
3	287	11 ⁵ / ₁₆
4	337	13 ¹ / ₄
5	387	15 ¹ / ₄
6	437	17 ³ / ₁₆
7	487	19 ³ / ₁₆
8	537	21 ¹ / ₄
9	587	23 ¹ / ₄
10	637	25 ³ / ₁₆
11	687	27 ¹ / ₁₆
12	737	29

Accessories:

Part

101 24 96 24 V Actuator, 2 Watts, Normally Closed, 4 Wire End Switch can be used to start a Pump through Line Voltage Relay

140 72 06 Coupling ³/₄" x 1", couples (2) manifolds
TOTAL number of loops not to exceed (12)

Compression Fittings

164 68 50 ¹/₂" PEX

164 68 51 ³/₄" PEX

102 74 76 ¹/₂" Copper (16 x 2 mm)

103 40 04 Cap with O-Ring (to cap off extra loops)

140 40 90 Spare Valve Insert

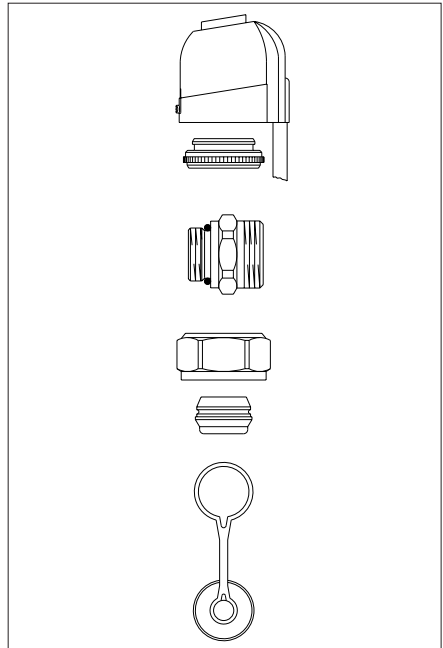
140 70 08 Spare Sweat Tail

Available Upon Request

Manifolds with manual Flow Setters, with Valves
Max. Operating Temperature 200 °F

Short Brackets, allow to install supply and return manifold independently.

Manifolds Cabinets



1" Stainless Steel Manifolds for Radiant Floor Systems

Pressure Drop Chart:

