

## “Multiflex” fittings for radiators: important advantages in detail and in combination with “Ofix CEP” – snap & seal – Connection system

Product range

 made  
 in  
 Germany

The original Oventrop fittings “Multiflex” guarantee a safe connection of radiators with integrated distributors to plastic, copper and precision steel and stainless steel pipes as well as composition pipes (e.g. “Copipe”). They can be easily installed. The fittings are “Made in Germany”.

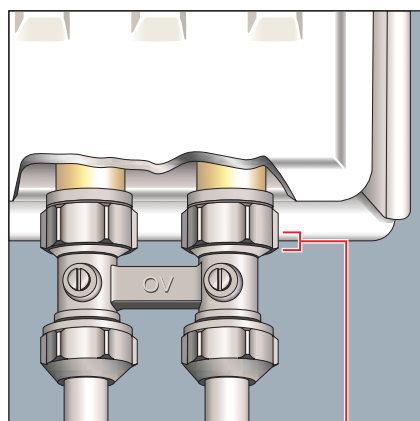


ZB isolating fitting (straight pattern)

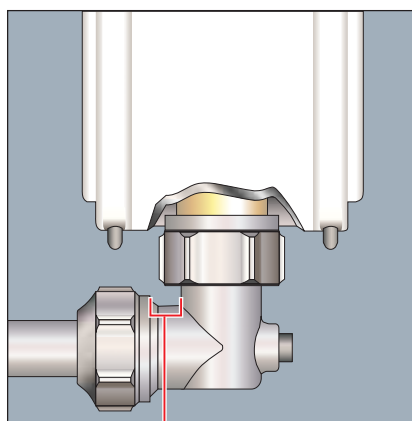


ZB angle pattern isolating fitting

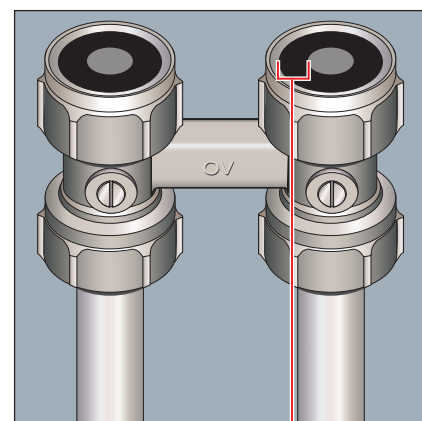
### Advantages compared with other models on the market:



Longer collar nuts (up to 44%) facilitate installation



Longer pipework connections of the angle pattern model (up to 16%) facilitate installation



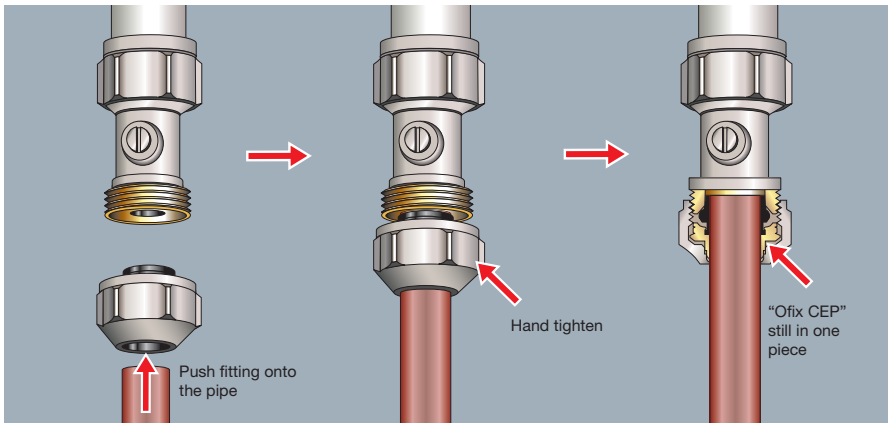
Larger sealing surfaces (up to 29%) increase safety – even in case of tolerances between the radiator connection nipples



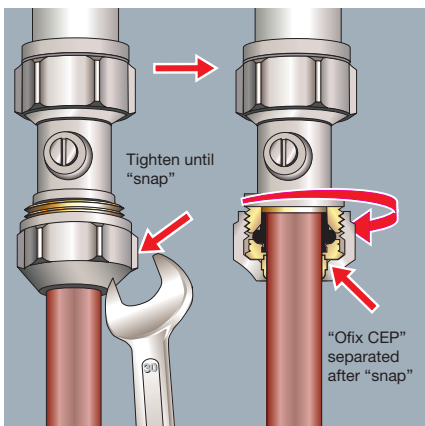
1



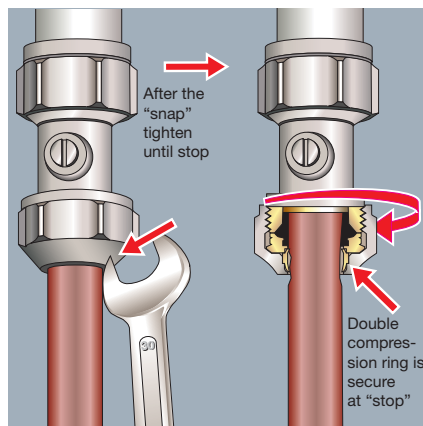
2



3



4



5

**1** The combination of the “Ofix CEP” – snap & seal – connection system and the “Multiflex” fittings guarantee maximum safety for radiator connections.

**2 “Ofix CEP” – snap & seal – connection system**  
(according to DIN V 3838 – cone “Euro”)

**Description:**

For the connection of the “Multiflex” fittings to copper, stainless steel and precision steel pipes:  
Unique and safe connection system “radiator connections”.

**Step by step installation instructions:**

**3** The “snap & seal” fittings are pre-assembled for installation on site (no single components) and may easily be pushed onto the pipe without jamming. Initial tightening is carried out by hand. (The “Ofix CEP” fitting is still in one piece at this time).

**4** By tightening with the help of a tool (spanner size 30), the separation point “snaps” audibly.

**5** Tighten until stop (about 1.5 – 2 turns). At this point, both a soft and a metallic seal are achieved. Especially in case of copper pipes, the pipe is protected from being pulled out of the fitting, e.g. in case of thermal expansion or tensile strains.

**Advantages of the combination**

“Multiflex” fitting and connection system  
“Ofix CEP” – snap & seal:

- safe and long-life connection easy to use
- nearly all connection problems of radiators with integrated distributor can be solved
- consistent tightening is achieved without a torque wrench
- protection of the pipework in case of thermal expansion
- easy to use

Further information can be found in the Oventrop catalogue “Product”, the technical data sheets and on the internet under product range 1.

Subject to technical modification without notice.

F. W. OVENTROP GmbH & Co. KG  
Paul-Oventrop-Straße 1  
D-59939 Olsberg  
Germany  
Telephone +49 (0) 29 62 82-0  
Telefax +49 (0) 29 62 82-450  
E-Mail mail@oventrop.de  
Internet www.oventrop.de

OVENTROP UK LTD.  
Unit 1 - The Loddon Centre  
Wade Road  
Basinkstoke, Hampshire RG 24, 8FL  
Telephone (0 12 56) 33 04 41  
Telefax (Sales) (0 12 56) 33 04 25  
Telefax (General) (0 12 56) 47 09 70  
E-Mail sales@oventrop.co.uk  
Internet www.oventrop.uk