

Aktor M

Motorised Actuators (On/Off)




Motorised actuators are used in the heating, venting and air conditioning trades. The actuators can be used for room temperature control or as zone valve. In combination with three-way valves, they can be used for fast switching operations in heating and cooling systems as well as for fast on/off control circuits such as fan coil units, induction units, small reheaters and chillers.

The drive stem of the actuators is driven in both directions by a motor via a gearbox.

Features

- + Connection thread M 30 x 1.5
- + Universal application
- + Short running time (3 seconds)
- + Electronic switch-off function in case of overload and in stroke end positions

Product Overview

	Version	Item no.
	230 V AC, on/off actuator	1012710
	24 V AC/DC, on/off actuator	1012711

Product Details

Motorised actuator for on/off control with short running time

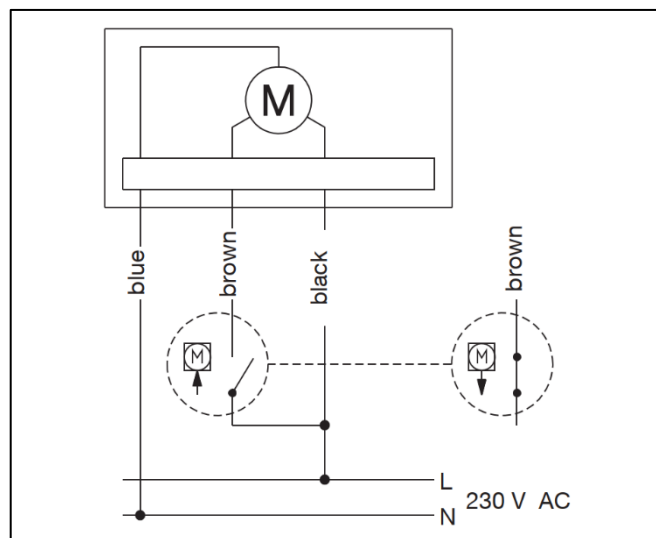
Functions

- On/off control
- Running time of 3 seconds
- Electronic switch-off function in case of overload
- Electronic switch-off function in stroke end positions

The drive stem of the motorised actuator is driven in both directions by a motor via a gearbox. Closing the contact on the brown core moves the stem into the extended position. As soon as the contact is opened, the stem moves back into the retracted position. The actuator also has an electronic switch-off function in case of overload and in stroke end positions.

The maximum permissible cable length ($3 \times 1.5 \text{ mm}^2$) between actuator and controller is 40 m. If a filter capacitor (max. 1.5 nF) is installed in the line, the maximum permissible cable length is 15 m.

Voltage on brown core (contact closed)	Drive stem extends
Brown core without voltage (contact open)	Drive stem retracts



Wiring diagram

Technical Data

Connection thread	M 30 x 1.5
Operating voltage	24 V: +20...-20 % 50 / 60 Hz 230 V: +10...-15 %, 50 Hz
Power consumption	24 V: 8 W during operation; 0.5 W in the stroke end positions 230 V: 1.8 W during operation and in the stroke end positions
Control	On/off (simple make contact)
Input current, control signal	24 V: 1 mA 230 V: < 10 mA
Parallel operation	Max. 5 actuators
Max. stroke	6.5 mm
Positioning force	> 90 N
Positioning time	ca. 3 s
Protection type	IP 54
Protection class	II according to EN 60730
Medium temperature	Max. +100°C
Ambient temperature	0...+60°C, non-condensing
Connection cable	3-core cable, length 1.5 m

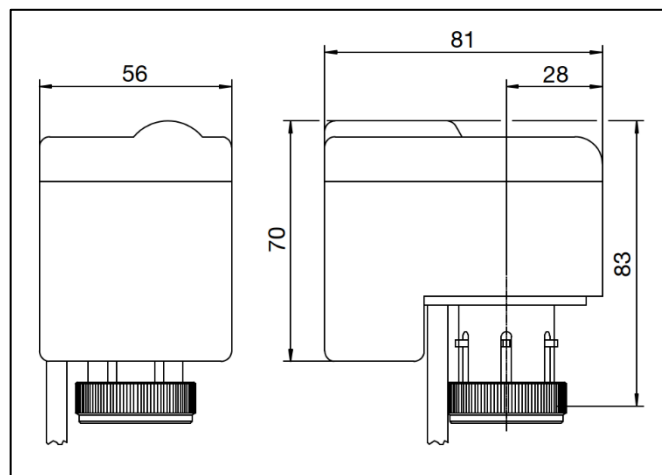
Range of application, installation and mounting

The electrical connection must comply with the regulations of the local Electricity Board.

The connection cable must not be laid on heat-carrying pipes or the like, as this accelerates the ageing of the cable material. When selecting the switching contacts and the mains fuse, the switch-on current of the heating element must be taken into account.

The actuators are mounted by means of a union nut and require no tools or adjustments.

The Oventrop actuators for fast on/off control can be operated in all installation positions, except for installation vertically downwards.



Dimensions

Subject to changes • All rights reserved • © 2023 Oventrop GmbH & Co. KG
EN-12201-101271-DB-V2314 – April 2023

Oventrop GmbH & Co. KG • Paul-Oventrop-Straße 1 • 59939 Olsberg • Germany
T +49 2962 820 • mail@oventrop.com • www.oventrop.com