

Gate Valves

PN 20, DN 15...50



Threaded bronze gate valve in sizes DN 15 to DN 50 for the installation in the supply or return of heating and cooling systems and potable water systems. With WRAS approval.

Specifications

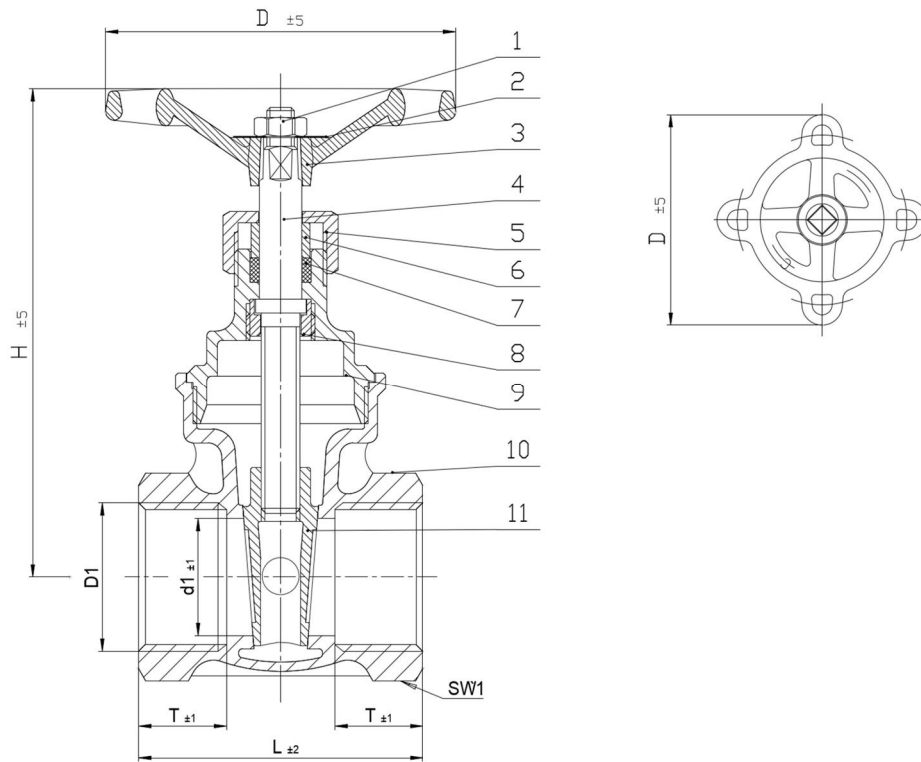
| | |
|-----------------------|-----------------------|
| Nominal sizes | DN 15 to DN 50 |
| Medium | Water, oil, gas |
| Operating temperature | -10...170 °C |
| Operating pressure | max. 20 bar (PN 20) |
| Threads | according to EN 12288 |

Materials

| | |
|---------------------------------------------------------------|---------------------|
| Body (10) , disc (11) , bonnet (9) | Bronze CC491K (Rg5) |
| Spindle (4) , spindle bush (8) | Brass CW602N |
| Packing (7) | PTFE |
| Ring (not DN 15 and DN 20) (6) | Brass CW614N (Ms58) |
| Packing nut (5) , handwheel nut (1) | Brass CW614N (Ms58) |
| Handwheel (2) , identification plate (3) | Aluminium |

Numbers in brackets refer to cut drawing on next page.

Dimensions and Item-Nos.



| DN | D1 | L [mm] | D [mm] | H [mm] | d1 [mm] | T [mm] | SW1 [mm] | Item-No. |
|----|--------|--------|--------|--------|---------|--------|----------|----------|
| 15 | Rp ½ | 50 | 57 | 78 | 12.7 | 15.0 | 27 | 1663004 |
| 20 | Rp ¾ | 54 | 69 | 84 | 19.1 | 16.3 | 34 | 1663006 |
| 25 | Rp 1 | 62 | 75.5 | 105 | 25.4 | 19.1 | 40 | 1663008 |
| 32 | Rp 1 ¼ | 71 | 81 | 111 | 31.8 | 21.4 | 49 | 1663010 |
| 40 | Rp 1 ½ | 77.5 | 94 | 130 | 38.2 | 21.4 | 58 | 1663012 |
| 50 | Rp 2 | 87.5 | 100 | 153 | 50.9 | 25.7 | 70 | 1663016 |

SW1: spanner width