

#### Application:

Oventrop compact distributor of modular construction for the connection of "Regumat" stations DN 25 ("Regumat" DN 32 with reducers).

Consisting of modular distributor and thermal insulation.

The module distributor is, for instance, used for volume flow distribution from the heat generator to several heating circuits.

#### Advantages:

- space-saving installation
- simple installation
- subsequently extendable
- up to 6 groups can be mounted on the boiler and heating circuit side
- problem-free water distribution even for small performance ranges

#### Models:

for 2 heating circuits  
for 3 heating circuits  
Extension module  
Wall bracket

#### Item no.:

1351471  
1351472  
1351470  
1351593

#### Materials:

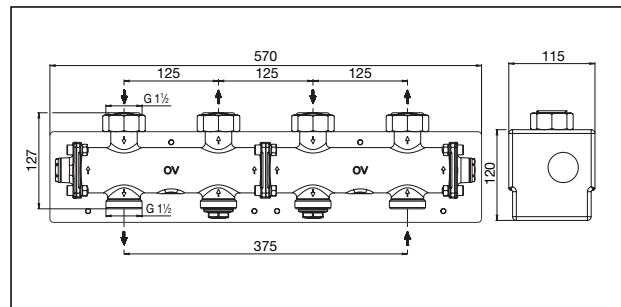
Distributor: Bronze  
Thermal insulation: Expanded polypropylene  
Wall bracket: Steel, galvanised

#### Connections:

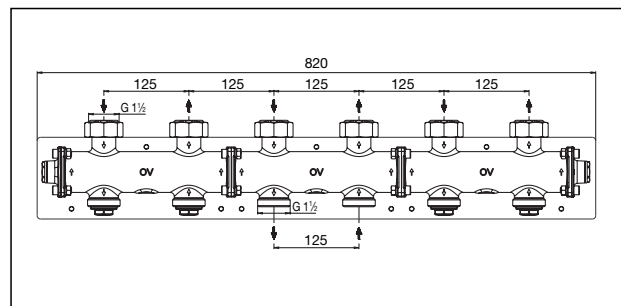
To heating circuit: G 1½ collar nut, flat sealing  
To boiler: G 1½ male thread, flat sealing  
End connection: G ¾ female thread

#### Technical data:

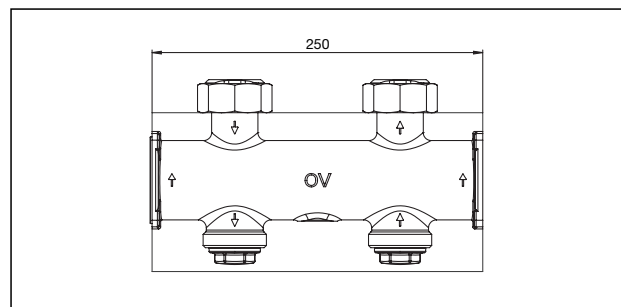
Max. operating pressure: 4 bar  
Max. operating temperature: 110 °C  
Max. flow rate: 4 m³/h  
Recommended application range: Max. 95 kW ( $\Delta T = 20K$ )



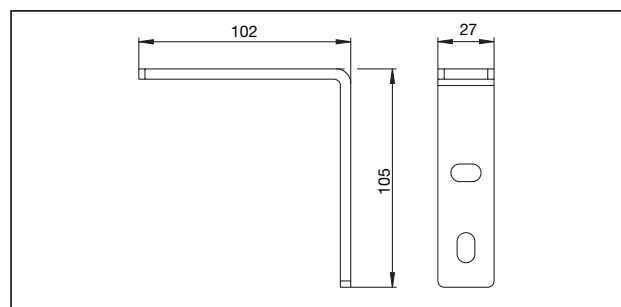
Dimensions module distributor DN 25, 2-fold



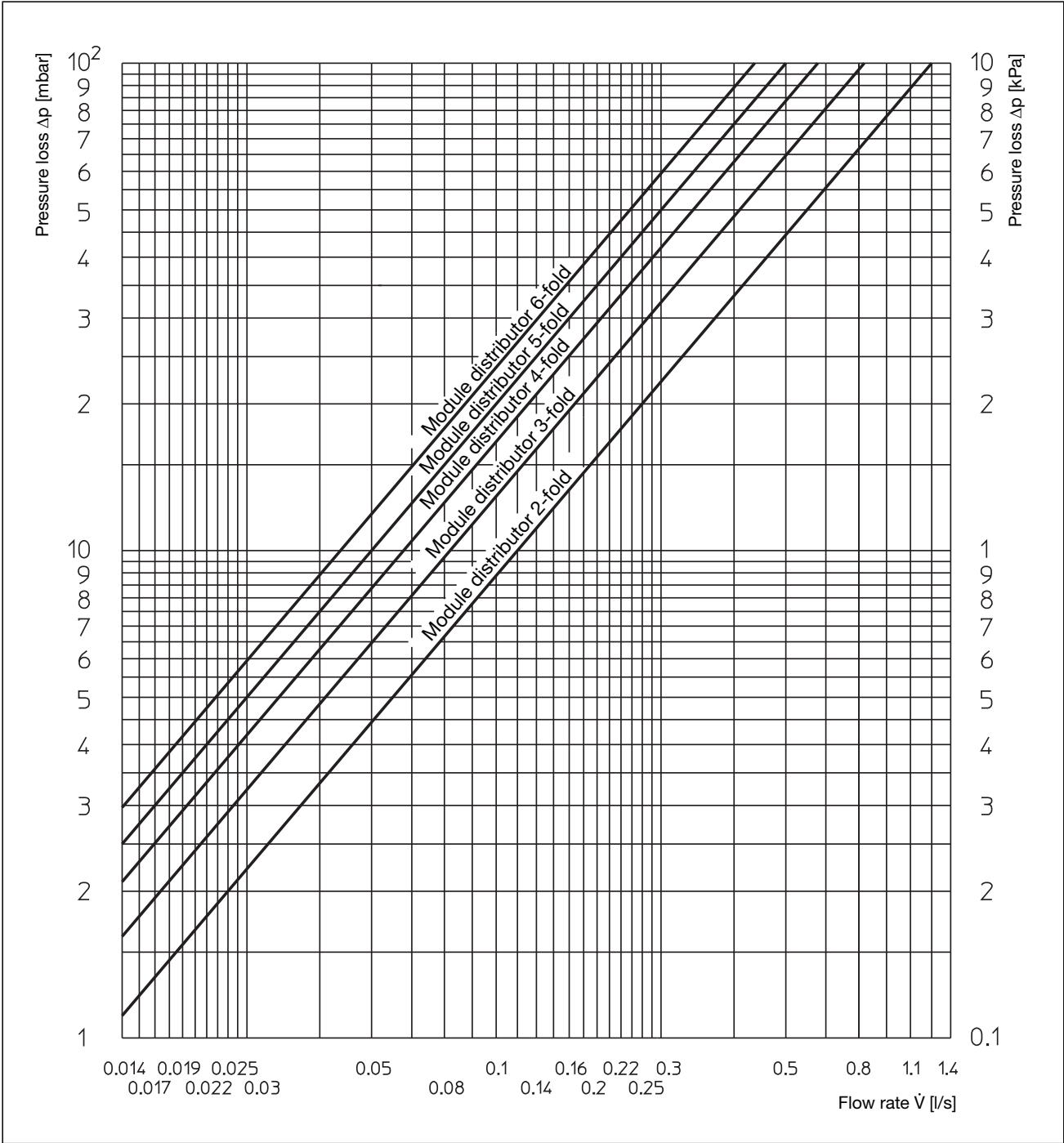
Dimensions module distributor DN 25, 3-fold



Dimensions extension module



Dimensions wall bracket



Flow chart

OVENTROP GmbH & Co. KG  
 Paul-Oventrop-Straße 1  
 D-59939 Olsberg, Germany  
 Phone +49 (0)2962 82-0  
 Fax +49 (0)2962 82-450  
 E-Mail mail@oventrop.de  
 Internet www.oventrop.de

For an overview of our global presence  
 visit [www.oventrop.de](http://www.oventrop.de).

Subject to technical modification without notice.

Product range 6  
 ti 255-EN/10/MW  
 Edition 2015