

Tender specification:

Oventrop valve with lead sealable cap made of brass for isolation and draining as well as control, maintenance and possible replacement of diaphragm expansion tanks. PN 10 up to 120 °C. Secured against inadvertent closure by means of wire and lead. According to DIN 4751 sheet 2 installation in the expansion pipe at the inlet of the expansion tank.

Item nos' .:

3/4" x 3/4"	108 90 06
3/4" x 1"	108 90 08
1" x 1"	108 90 52
1 1/4" x 1 1/4"	108 90 10
1 1/2" x 1 1/2"	108 90 12

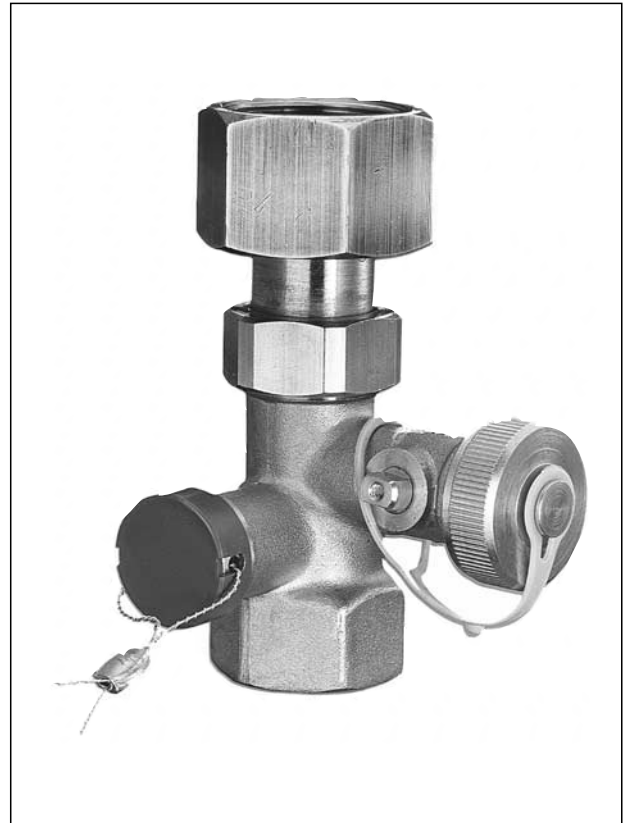
Performance data:

Nominal pressure: PN 10
 Max. working temperature: 130 °C
 Draining capacity: K_{vs} -value of the drain valve

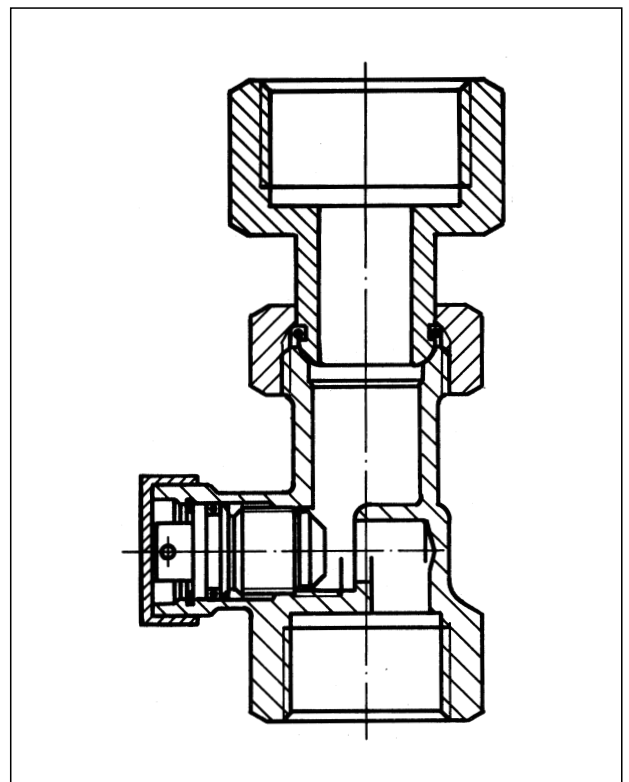
Operation:

Maintenance of diaphragm expansion tanks: It is recommended to examine the pressure at the inlet of the expansion tank each time the installation is maintained or at least once a year. An accurate examination of the pressure is, however, only possible if the water supply connection of the expansion tank is drained.

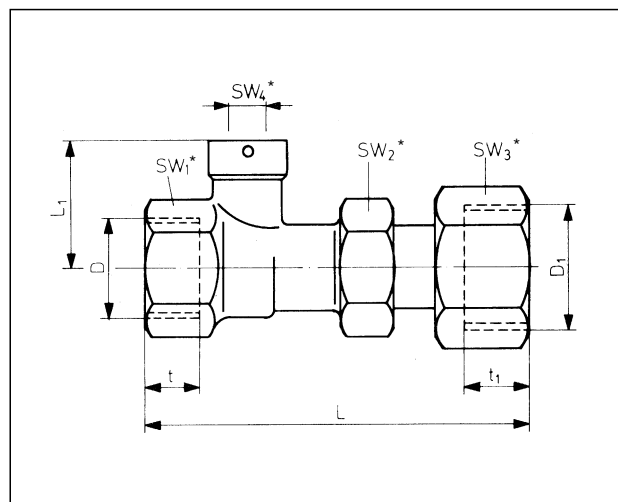
To do so, remove the lead seal at the valve, take off the cap and close the valve by turning the spindle down with a spanner.



Cut illustration:



Dimensions:



Dim.	D DIN 2999	D ₁ DIN 2999	L	L ₁	t	t ₁	SW ₁ *	SW ₂ *	SW ₃ *	SW ₄ *
06	3/4"	3/4"	99	36.5	14.5	14.5	32	30	32	5
08	3/4"	1"	102	36.5	14.5	16.8	32	30	38	5
52	1"	1"	122	57.5	16.8	16.8	41	46	38	10
10	1 1/4"	1 1/4"	127	56.5	19.1	19.1	54	46	46	10
12	1 1/2"	1 1/2"	127	56.5	19.1	19.1	54	46	58	10

SW₄: Hexagon socket of the spindle actuation

* SW = spanner size

The diaphragm expansion tank is now separated from the heating system. Open the drain-off valve for draining the expansion tank. The pressure at the inlet of the expansion tank is now examined by means of a pressure gauge and is compared with the pressure indicated on the tag. If necessary, the required pressure is set by refilling nitrogen. After examination of the pressure open the valve slowly. Close the drain-off valve as soon as water escapes. Finally the cap has to be replaced and be lead sealed again.

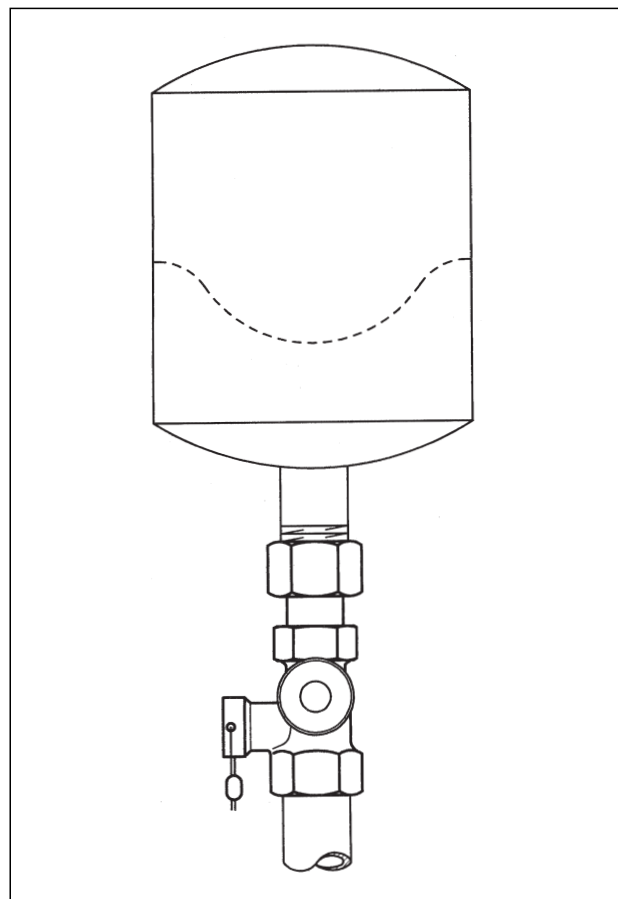
Installation:

According to DIN 4751 sheet 2, the valve with lead sealable cap is installed in the expansion pipe at the inlet of the diaphragm expansion tank. First of all, the outlet of the valve with lead sealable cap is screwed onto the water supply connection of the expansion tank. The drain-off valve has to be tightened in such a way that the drain-off connection piece points downwards. After installation, the completely opened valve has to be secured against inadvertently closure by means of a wire and a lead. Finally, the installation is filled and bled.

Accessories:

Lead sealing set consisting of 10 leads and locking wire, item no. 108 90 91.

Example of installation:



Subject to technical modification without notice.

Product range 6
ti 53-1/10/8.98/MW