



The Oventrop Quality Management System is certified to DIN-EN-ISO 9001

Technical information

Application:

The Oventrop fill and drain valve programme is used for heating systems, boilers, radiators and pipework which have to be equipped with a filling and draining facility. Depending on the model, the fill and drain valve are suitable for fluids, non-aggressive media, treated heating water and steam. They distinguish themselves by their high filling and draining capacity.

Ball valve "Optiflex" brass:

Male or female thread, male thread self-sealing, with counter nut, handle with stop, hose connection (soft seal) and cap, stem with O-ring seal, may be connected to the pipework by use of compression fittings (for DN 10 and DN 15).

Ball valve with full flow, brass:

Nickel plated, with double O-ring seal, hose connection and cap.

Ball valve, bronze:

With male thread, handle with stop, hose connection and cap.

Cock, brass:

With male or female thread, hose connection and cap, available as heavy pattern model according to DIN 3848 and standard model made of brass.

Cock, bronze:

With male thread, hose connection and cap, available as heavy pattern model according to DIN 3848.

Fill and drain valves, brass:

With male thread, self-sealing, hose connection and cap.



**Fill and drain valves and cocks:
Ball valves, cocks, fill and drain valves**

Ball valves "Optibal", brass PN 16

With male thread, self-sealing, counter nut, handle with stop:

Application:

Water and non-aggressive media

Working pressure p_s : 16 bar (PN 16)

Working temperature t_s : 0°C up to 120°C

Construction:

Body, stem and ball made of brass, stem seal made of EPDM, ball with PTFE seats, male threaded connection, self-sealing, may be connected by use of Oventrop compression fittings (only for DN 10 and DN 15) (see catalogue "Products", page 1.51). Hose connection made of high quality plastic (DN 10 and DN 15) or brass (DN 20 and DN 25, DN 15 as an option), soft-sealing.

| DN | D | L ₁ | L ₂ | L ₃ | t | H |
|----|-------|----------------|----------------|----------------|------|----|
| 10 | G 3/8 | 38.5 | 71 | 61.5 | 12.5 | 31 |
| 15 | G 1/2 | 38.5 | 71 | 61.5 | 12.5 | 31 |
| 20 | G 3/4 | 49 | 91.5 | 69 | 13 | 34 |
| 25 | G 1 | 60.5 | 123.5 | 88 | 17 | 53 |

Item no. 103 43 15 with hose connection made of brass, length: 54.5 mm

Angle pattern:

Application:

Water and non-aggressive media

Working pressure p_s : 16 bar (PN 16)

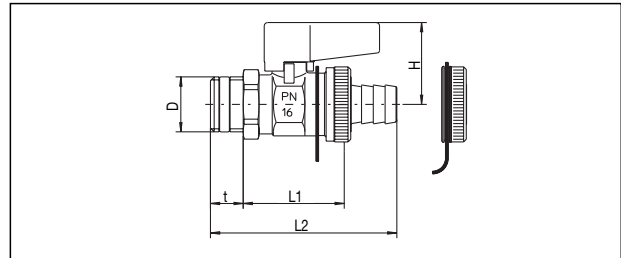
Working temperature t_s : 120°C

Construction:

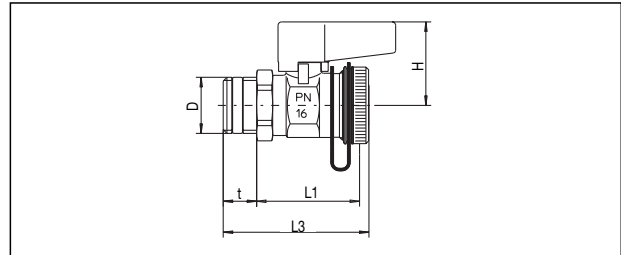
Body, stem and ball made of brass, stem seal made of EPDM, ball with PTFE seats, may be connected by use of Oventrop compression fittings (see catalogue "Products", page 1.51). Hose connection made of high quality plastic, soft-sealing.

Extension

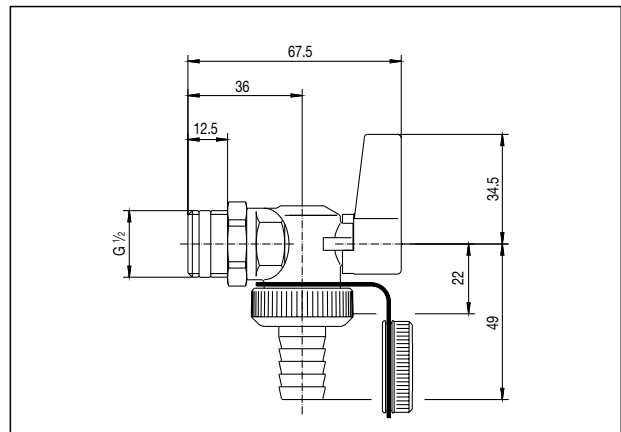
for ball valves "Optiflex",
with male thread, self-sealing



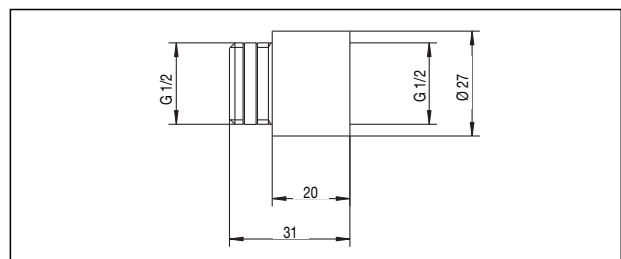
Item nos. 103 33 .. (DN 10 to DN 25) unplated
Item nos. 103 33 5. (DN 10 to DN 15) nickel plated
with hose connection (soft seal)
and cap



Item nos. 103 34 .. (DN 10 to DN 25) unplated
Item no. 103 34 52 (DN 15) nickel plated
with cap



Item no. 103 36 14 (DN 15) unplated
Item no. 103 36 52 (DN 15) nickel plated
with hose connection (soft seal)
and cap



Item no. 103 53 52 unplated
Item no. 103 54 52 nickel plated

Ball valves “Optiflex”, brass, PN 16

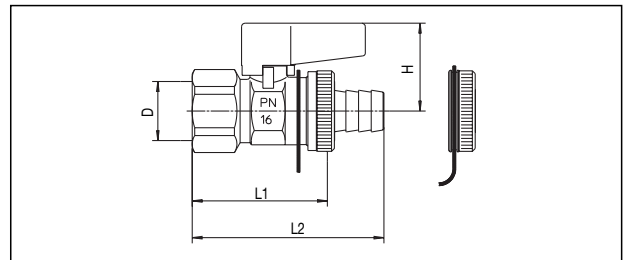
With female thread and handle with stop:

Application:
Water and non-aggressive media

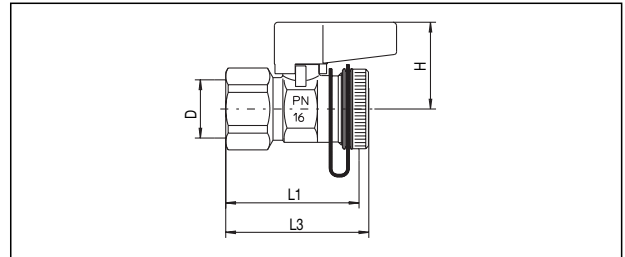
Working pressure p_s : 16 bar (PN 16)
Working temperature t_s : 0°C up to 120°C

Construction:
Body, stem and ball made of brass, stem seal made of EPDM, ball with PTFE seats, female threaded connection, may be connected by use of Oventrop compression fittings (see catalogue “Products”, page 1.51). Hose connection made of high quality plastic, soft-sealing.

| DN | D | L ₁ | L ₂ | L ₃ | H |
|----|--------|----------------|----------------|----------------|----|
| 15 | Rp 1/2 | 48 | 65 | 51.5 | 31 |



Item no. 103 38 14 (DN 15) unplated
Item no. 103 38 52 (DN 15) nickel plated
with hose connection (soft seal)
and cap



Item no. 103 39 14 (DN 15) unplated
with cap

Ball valves, brass PN 16

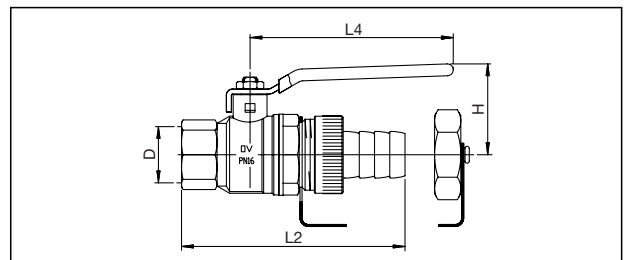
Nickel plated, with female thread and full flow, handle with stop:

Application:
Water, steam, compressed air, heating and diesel oil

Working pressure p_s : 16 bar (PN 16)
Working temperature t_s : 0°C up to 120°C

Construction:
Body and ball made of brass, body nickel plated, ball hard chrome plated, brass stem with double O-ring seal made of FKM, ball with PTFE seats, female threaded connection, hose connection made of brass, soft-sealing.

| DN | D | L ₂ | L ₄ | H | SW* |
|----|--------|----------------|----------------|------|-----|
| 15 | Rp 1/2 | ~ 85 | 100 | ~ 43 | 25 |
| 20 | Rp 3/4 | ~100.5 | 120 | ~ 50 | 31 |
| 25 | Rp 1 | ~130.5 | 120 | ~ 54 | 40 |



Item nos. 103 61 54-58 (DN 15 to DN 25) nickel plated
with hose connection (soft seal)
and cap

* SW = spanner size

Ball valves, bronze, PN 16

With male thread and handle with stop:

Application:

Water and non-aggressive media

Working pressure p_s : 16 bar (PN 16)

Working temperature t_s : 0°C up to 150°C

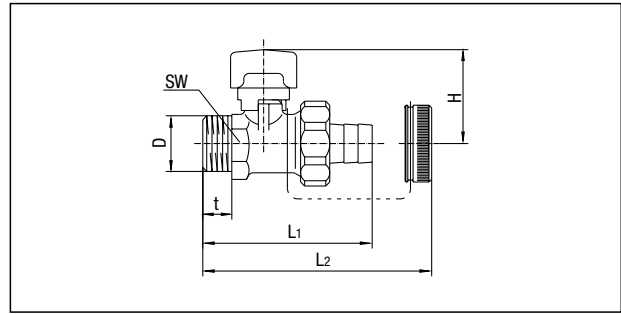
Operation by use of the grey handle which is loosely packed.

Construction:

Body made of bronze, stem and ball made of brass, ball with PTFE seats, stem seal made of EPDM, male threaded connection, hose connection made of brass, soft-sealing.

| DN | D | L ₁ | L ₂ | t | SW* | H |
|----|-------|----------------|----------------|----|-----|----|
| 10 | G 3/8 | 65 | 50 | 10 | 24 | 36 |
| 15 | G 1/2 | 66 | 51 | 11 | 24 | 36 |

* SW = spanner size



Item nos. 103 24 03-04 (DN 10 and DN 15)
with hose connection
and cap

Cocks, brass, PN 12.5

Standard model:

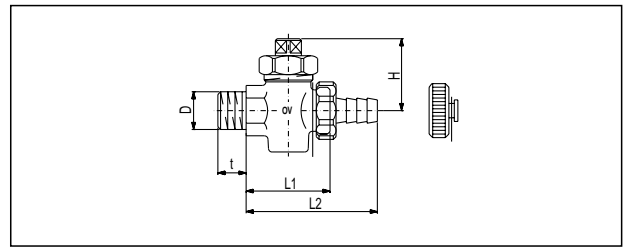
Application:
Water and non-aggressive media

Working pressure p_s : 12.5 bar (PN 12.5)
Working temperature t_s : 0°C up to 120°C

Construction:
Body and plug made of brass, male threaded connection, hose connection made of brass.

| DN | D | L ₁ | L ₂ | L ₃ | H | t |
|----|-------|----------------|----------------|----------------|----|------|
| 15 | G 1/2 | 38.5 | 74,5 | 57 | 43 | 10.5 |

Key for fill and drain cocks:
Item no. 103 50 04 for DN 15



Item no. 103 10 04 (DN 15)
with hose connection
and cap

Heavy pattern model, DIN 3848:

Application:
Water and non-aggressive media

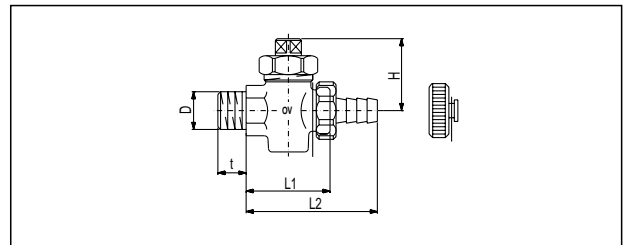
Working pressure p_s : 12.5 bar (PN 12.5)
Working temperature t_s : 0°C up to 120°C

Construction:
Body and plug made of brass, female or male threaded connection, hose connection made of brass.

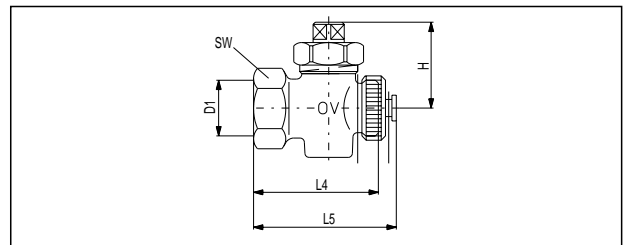
| DN | D | D ₁ | L ₁ | L ₂ | L ₄ | L ₅ | H | t | SW* |
|----|-------|----------------|----------------|----------------|----------------|----------------|----|------|-----|
| 10 | R 3/8 | - | 40.5 | 80 | - | - | 39 | 12 | - |
| 15 | R 1/2 | G 1/2 | 47.5 | 87.5 | 55.5 | 63.5 | 41 | 15.7 | 27 |
| 20 | R 3/4 | - | 53.5 | 101.5 | - | - | 46 | 17.5 | - |
| 25 | R 1 | - | 62.5 | 128.5 | - | - | 60 | 20.5 | - |

* SW = spanner size

Key for fill and drain cocks:
Item no. 103 50 04 for DN 10 and DN 15
Item no. 103 50 06 for DN 20 and DN 25



Item nos. 103 00 03-08 (DN 10 to DN 25)
with hose connection
and cap



Item no. 103 07 04 (DN 15)
with cap

**Cocks, bronze, PN 16
Heavy pattern model – DIN 3848:**

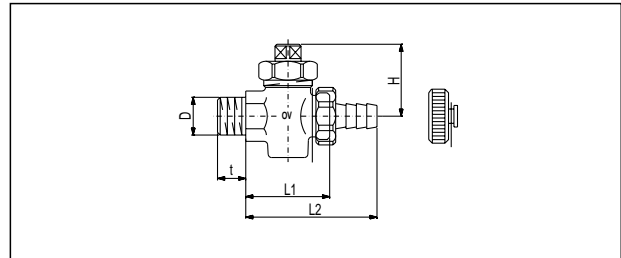
Application:
Fluids, steam, treated heating water (e.g. district heating)

Working pressure p_s : 16 bar (PN 16)
Working temperature t_s : 0°C up to 150°C,
for short periods up to 180°C

Construction:
Body and plug made of bronze, male threaded connection, hose connection made of brass.

| DN | D | L ₁ | L ₂ | H | t |
|----|-------|----------------|----------------|----|------|
| 10 | R 3/8 | 40.5 | 80 | 39 | 12 |
| 15 | R 1/2 | 47.5 | 87.5 | 41 | 15.7 |
| 20 | R 3/4 | 53.5 | 101.5 | 46 | 17.5 |
| 25 | R 1 | 62.5 | 128.5 | 60 | 20.5 |

Key for fill and drain cocks:
Item no. 103 50 04 for DN 10 and DN 15
Item no. 103 50 06 for DN 20 and DN 25



Item nos. 103 20 03-08 (DN 10 to DN 25)
with hose connection
and cap

Fill and drain valves, brass, PN 12.5:

Self-sealing

Application:
Water, non-aggressive media

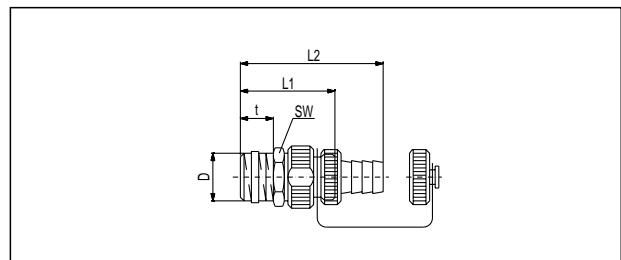
Working pressure p_s : 12.5 bar (PN 12.5)
Working temperature t_s : 120°C

Construction:
Body and valve disc made of brass, male threaded connection, hose connection made of brass, soft-sealing. The valve is opened by turning the knurled screw.

| DN | D | L ₁ | L ₂ | t | SW |
|----|-------|----------------|----------------|------|----|
| 10 | G 3/8 | 42.5 | 63.5 | 12.5 | 24 |
| 15 | G 1/2 | 43 | 64 | 13 | 24 |

*SW = spanner size

Both sizes have a hose connection for a 1/2" hose.



Item nos. 103 35 03-04 (DN 10 and DN 15)
with hose connection
and cap

Subject to technical modification without notice.

Product group 6
ti 92-1/10/MW
Edition 2008

Printed on paper free from
chlorine bleaching.

F. W. OVENTROP GmbH & Co. KG
Paul-Oventrop-Straße 1
D-59939 Olsberg
Germany
Telephone +49(0) 2962 82-0
Telefax +49(0) 2962 82-450
E-Mail mail@oventrop.de
Internet www.oventrop.de

For an overview of our global presence
visit www.oventrop.de.