

### Application:

The Oventrop isolating and orifice valves “Hydrocontrol AFC” PN 16 are installed in the risers of hot water central heating and cooling systems and allow for the isolation of the risers.

The Oventrop isolating and orifice valves feature two threaded ports closed with blind plugs which can be equipped with fill and drain ball valves (accessory).

The isolating and orifice valves may be installed in the supply and the return pipe.

When installing the valve it must be ensured that the direction of flow conforms to the direction of the arrow on the valve body.

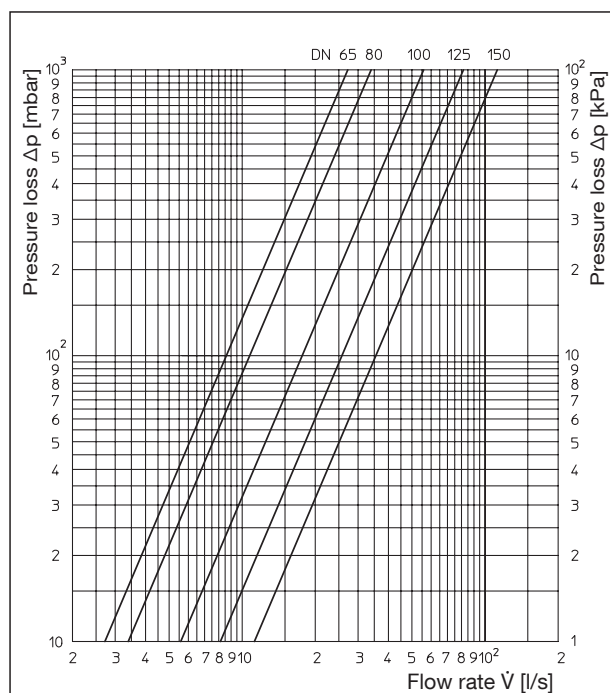
The indicated  $k_{VS}$  values are valid for both, installation in the supply and the return pipe, provided the direction of flow conforms to the arrow on the valve body.

### Advantages:

- the location of the functional components in one plane allows for a simple installation and easy operation
- only one valve for three functions:
  - isolating
  - filling
  - draining
- low pressure loss (oblique pattern)



“Hydrocontrol AFC”



Flow chart

**Tender specification:**

Oventrop isolating and orifice valves “Hydrocontrol AFC” PN 16 for central heating and cooling systems, not suitable for steam, both ports round flanges according to DIN EN 1092-2, PN16 (corresponds to ISO 7005-2, PN16)

Length according to DIN EN 558-1 basic series 1 (corresponds to ISO 5752 series 1).

Valve body made of cast iron (GG25, EN GJL-250 according to EN 1561), bonnet, disc and stem made of bronze / dezincification resistant brass. Disc with PTFE seal. Maintenance-free stem seal due to double O-ring. All functional components in one plane. Blind plug and fill and drain ball valve interchangeable. Installation in the supply and the return pipe.

**Technical data:**

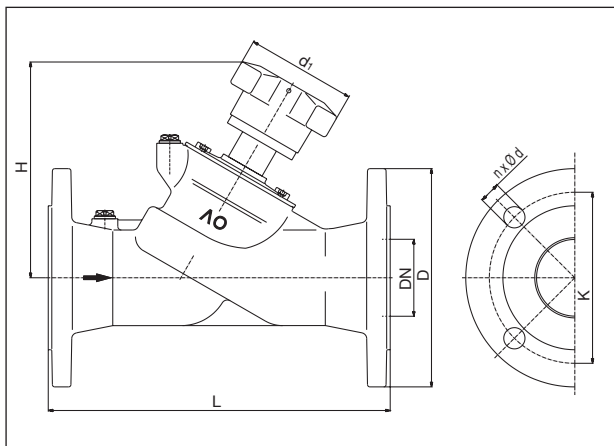
Max. operating temperature  $t_s$ : +150 °C  
 Min. operating temperature  $t_s$ : -10 °C  
 Max. operating pressure  $p_s$ : 16 bar

**Size:**

DN	$k_{vs}$	Item no.:
DN 65	98,00	1062051
DN 80	122,20	1062052
DN 100	201,00	1062053
DN 125	293,00	1062054
DN 150	404,30	1062055

**Accessories:**

Fill and drain ball valve	1060191
Extension for fill and drain ball valve (80 mm)	1060295
Extension for fill and drain ball valve (40 mm)	1688295



DN	L	H	d1	D	K	n x Ø d
65	290	188	110	185	145	4 x 19
80	310	203	110	200	160	8 x 19
100	350	240	160	220	180	8 x 19
125	400	283	160	250	210	8 x 19
150	480	285	160	285	240	8 x 23

Dimensions

**Insulation shells:**

**Tender specification:**

The insulation shells have a CFC-free inner core made of polyurethane rigid foam with a 1.5 mm plastic coat.

They consist of two double shells which are tightened by two straps.

They meet the requirements of the German Energy Saving Directive (EnEV), appendix 5, table 1, line 5.

For heating and cooling systems.

**Technical data:**

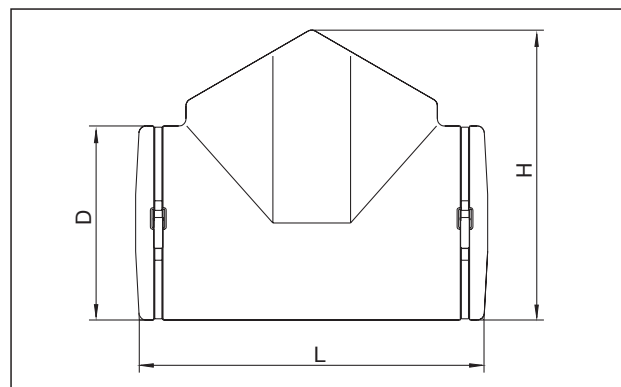
Building material class B2 according to DIN 4102.

Operating temperature  $t_s$ : -10 °C to +130 °C

Cold insulation:

Min. fluid temperature: +6 °C

The insulation shells have to be bonded hermetically (restricted diffusion tightness at low fluid temperature and at high ambient temperature and/or humidity).



DN	L	D	H	Item no.
65	480	270	405	1062586
80	515	300	430	1062587
100	500	350	595	1062588
125	660	385	573	1062589
150	740	415	598	1062590

Dimensions

Subject to technical modifications without notice.

Product range 2.1  
 ti 284-EN/10/MW  
 Edition 2020