

Tender specification:

Oventrop room thermostat with fan drive, 230 V, setting of nominal value via rotary knob.

Operating functions: Heating, off, cooling

Fan speed: low, medium, high

The control range can be limited by using the concealed limiting elements (inside the rotary knob).

Used in combination with air conditioning systems, fan convectors (fan coil units).

Item no.: 1152351

Technical data:

Temperature range: 5 °C up to 30 °C

Operating current: 230 V AC, 50/60 Hz

Switching current: 3 (3) A

Type of contact:

1. Switch: Change-over switch (heating/cooling)
2. Switch: Change-over switch (fan: low, medium, high)

Switching temperature difference: approx. 0.5 K

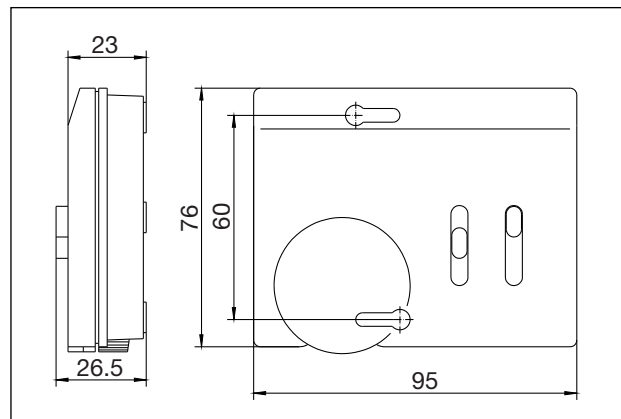
Protection: IP 30

Application:

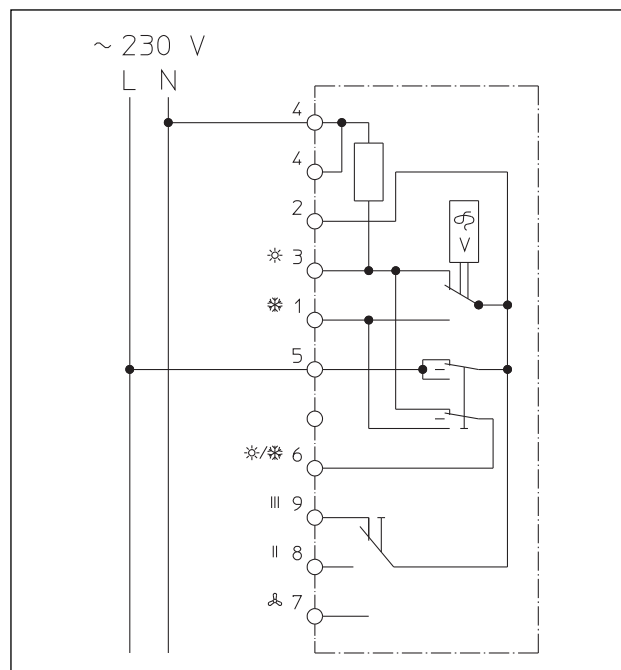
The Oventrop room thermostats with fan drive are used for heating or cooling with fan convectors (fan coil units). The room temperature is kept at the required level.



Room thermostat with fan drive



Dimensions



Wiring diagram

OVENTROP GmbH & Co. KG
 Paul-Oventrop-Straße 1
 D-59939 Olsberg, Germany
 Phone +49 (0)29 62 82-0
 Fax +49 (0)29 62 82-450
 E-Mail mail@oventrop.de
 Internet www.oventrop.de

For an overview of our global presence
 visit www.oventrop.de.

Subject to technical modification without notice.

Product range 3
 ti 190-EN/10/MW
 Edition 2015