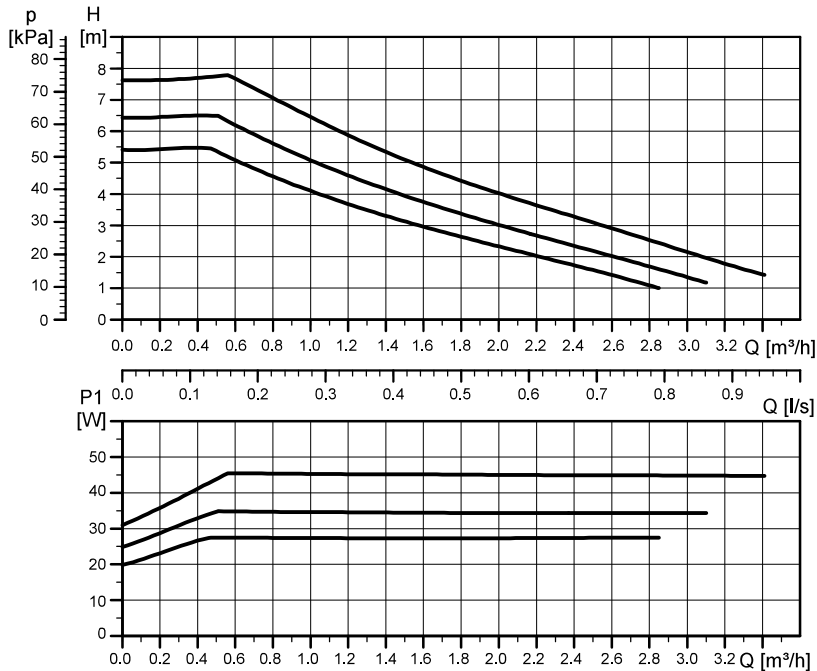


UPM3(K) SOLAR XX-75 130/180 (N) (GFNKB)



EEI ≤ 0.20 Part 3
 $P_{L,avg} \leq 20 \text{ W}$

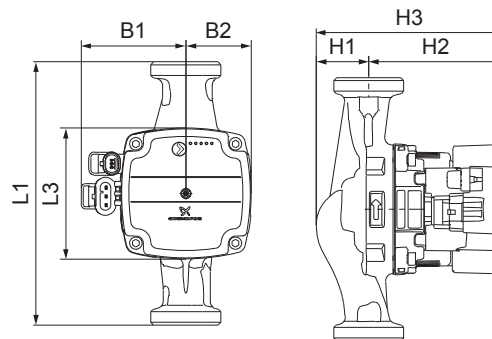
Setting	Max. head _{nom}	Max. P _{1 nom}
Curve 1	5.5 m	28 W
Curve 2	6.5 m	35 W
Curve 3	7.5 m	45 W

Pump settings				
PWM A	PWM C	PP	CP	CC
-	1	-	-	3

Electrical data, 1 x 230 V, 50 Hz		
Speed	P ₁ [W]	I _{1/1} [A]
Min.	2	0.04
Max.	45	0.48

Technical data			
System pressure	Max. 1.0 MPa (10 bar)	Enclosure class	IPX4D
Minimum inlet pressure	0.05 MPa (0.50 bar) at 95 °C liquid temperature	Motor protection	No external protection needed
Liquid temperature	2-110 °C (TF110) Max. 130 °C (60 °C ambient temperature)	Approval and marking	VDE, CE

Dimensions



Pump type	Dimensions [mm]							Connections [inch]	Weight [kg]
	L1	L3	B1	B2	H1	H2	H3		
15-75 130 (N)	130	90	72	45	36	92	128	R 1/2 / G 1	1.8
25-75 130 (N)	130	90	72	45	36	92	128	R 1 / G 1 1/2	1.9
25-75 180 (N)	180	90	72	45	36	92	128	R 1 / G 1 1/2	2.0
32-75 180 (N)	180	90	72	45	36	92	128	R 1 1/4 / G 2	2.2

PWM speed curves on request.