

### Tender specification:

The Oventrop electromotive actuator is a three point actuator for a steady control with connection thread M 30 x 1.5. The actuator is equipped with a manual setting, a setting indicator and a plug-in connecting cable.

**Model:** 230 V, three point actuator  
**Item no.:** 101 27 03

### Performance data:

Operating current: 230 V AC,  $\pm 15\%$ , 50/60 Hz  
Power consumption: 6 VA apparent power  
Drive: three point, reversible  
Parallel working: max. of 6 actuators  
Max. piston stroke: 5.5 mm  
Operating power: > 90 N  
Floating time: about 60 s/mm  
Protection: IP 40 according to EN 60529  
Protective system: II according to EN 60730  
Max. fluid temperature: 110 °C  
Ambient temperature: 1 °C up to 50 °C, not condensing  
Storage temperature: -5 °C up to +50 °C, not condensing  
Transport temperature: -25 °C up to +70 °C, not condensing  
Connecting cable: 3-core cable, 1.5 m long

### Installation and fitting:

Electrical connection must be carried out in accordance with the requirements of the local Electricity Board.

The connecting cable must not come into contact with the hot radiator or pipe as excessive heat will accelerate the ageing of the cable insulation.

The actuator is mounted with the help of the collar nut, no tools or adjustments are required. Oventrop electromotive actuators can be installed in any position, except for vertical downward position.

### Application:

In conjunction with the corresponding controllers, Oventrop electromotive actuators “Aktor M 3P H” are used for heating, ventilation and air conditioning. In combination with temperature controllers with three point output 230 V (e.g. boiler regulation) and for instance Oventrop three-way valves, they allow an individual flow temperature control of heating systems.

The actuators can be combined with the following Oventrop valves with connection thread M 30 x 1.5:

- Thermostatic radiator valves, all series (except for “Series ADV 6” and “Series KTB”)
- Three-way conversion valves
- Distributors/collectors for surface heating systems (please observe ambient temperature within the cabinet)
- Regulating valves “Cocon 2TZ/QTZ” for chilled ceiling systems (except for DN 25 + DN 32)
- Three-way diverting and mixing valves
- Regulating valves “Hycococon ETZ/HTZ” (except for DN 25 + DN 32)

### Function:

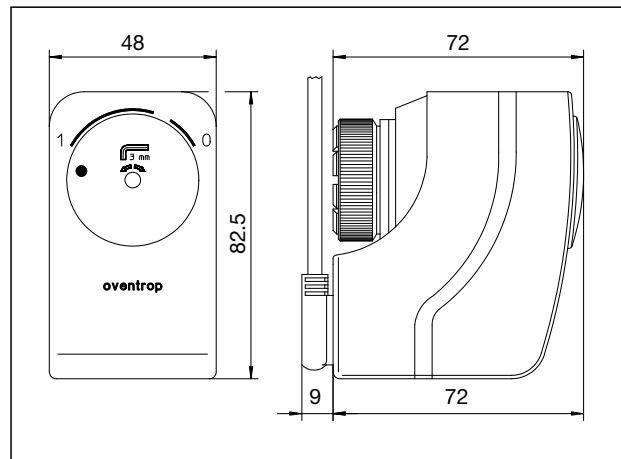
By energizing phase Y1 or Y2, the drive stem of the electromotive actuator opens up or closes down. As soon as the voltage is switched off, the actuator remains in the current position.

The actuator also features a cutoff function which depends on the motive force and which is activated in case of overload and in the final positions of the stroke.

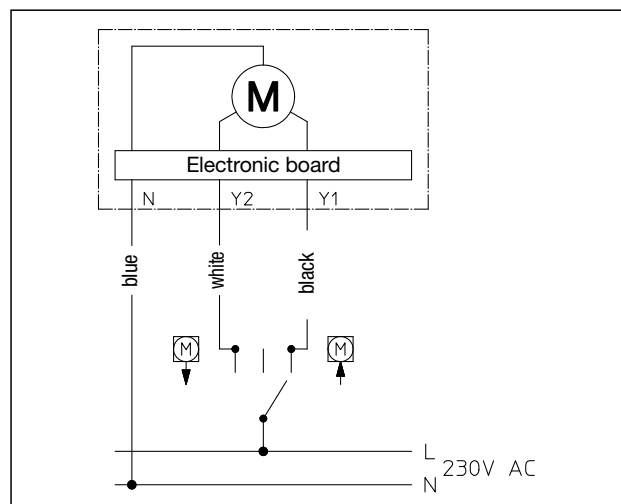
With manual operation, the actuator can be set to any position using a 3 mm hexagon pin. Should a control signal be provided by the controller, the position of the actuator is in priority defined by this signal. Shall the position set by hand be kept, the connecting cable has to be pulled out or the voltage has to be switched off.



“Aktor M 3P H”



Dimensions



Wiring diagram

Black lead energized → Drive stem closes down

White lead energized → Drive stem opens up

Subject to technical modification without notice.

Product range 1  
ti 209-0/10/MW  
Edition 2014

OVENTROP GmbH & Co. KG  
Paul-Oventrop-Straße 1  
D-59939 Olsberg  
Germany

Telephone +49(0) 2962 82-0  
Fax +49(0) 2962 82-450  
E-Mail mail@oventrop.de  
Internet www.oventrop.de

For an overview of our global presence visit [www.oventrop.de](http://www.oventrop.de)