

Application:

The Oventrop connection fitting "Flypass 4TZ" is used for the isolation, flushing, draining and bleeding of the supply and return pipe installed in the flow direction in front of the fitting or the succeeding sections of the system. The connection fitting can be converted to bypass operation. The ball positions and thus the flow directions are displayed by the shape of the handle. The fitting features two lateral connections G ¼ for the connection of Oventrop fill and drain valves (one fill and drain ball valve is supplied with the fitting) or pressure test points of the "Hydrocontrol" product range. The extended handles allow an insulation of the fitting. Different products (accessories) for the direct connection to the fitting "Flypass 4TZ" are available.

Technical data:

Max. operating temperature t_s :	+120 °C
Min. operating temperature t_s :	-10 °C
Max. operating pressure p_s :	16 bar (1600 kPa)
k_{VS} normal operation:	22/34
k_{VS} bypass operation:	1.2/1.25

Models:

Models:	Item no.
DN 15	1149504
DN 20	1149506

Materials:

Body made of dezincification resistant brass, seals made of EPDM or PTFE, handles made of polyamide.

Function:

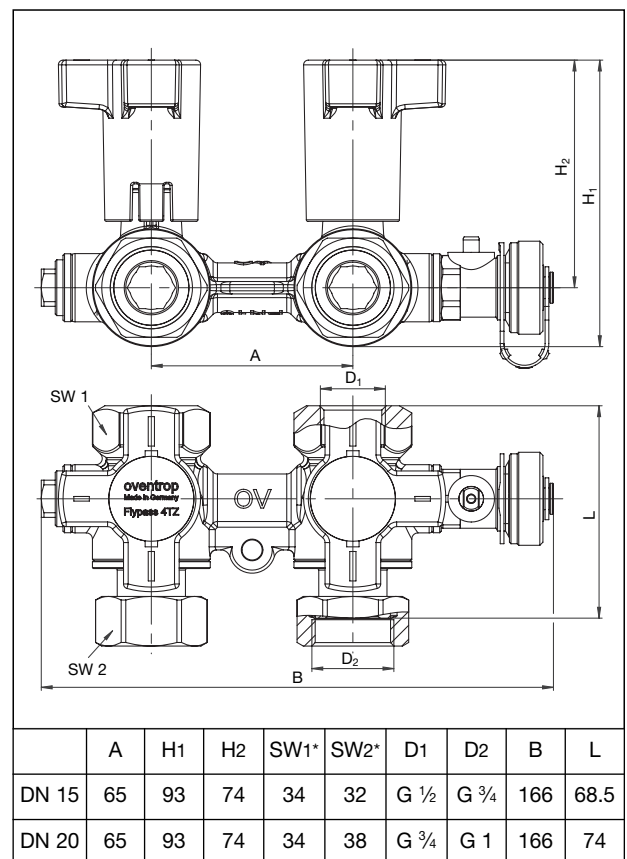
The Oventrop connection fitting "Flypass 4TZ" is used for the connection of fan convectors (fan coil units), chilled ceiling modules, induction air systems, cooling and heating zones etc. to the pipework of central heating and cooling systems with closed circuit. The direction of flow is optional. The connection fitting can be installed in any position (horizontal, oblique or vertical, in ascending and descending sections).

Installation:

- The direction of flow is optional
- The connection fitting can be installed in any position
- Do not use any lubricant or oil when installing the fitting as these may destroy the seals
- If necessary, all dirt particles and lubricant or oil residues must be removed from the pipework by flushing the latter
- Any tension which could be transferred through the pipework must be avoided
- When choosing the operating fluid, the latest technical development has to be considered (e.g. VDI 2035)
- After installation, check all installation points for leaks



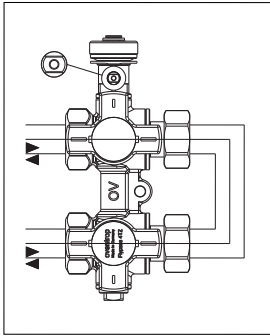
Connection fitting "Flypass 4TZ"



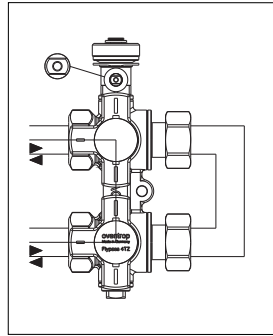
Dimensions

*SW = spanner size

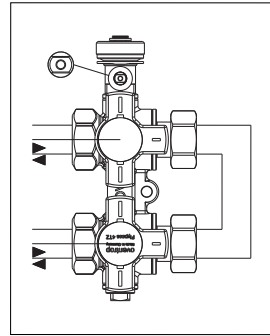
Functions "Flypass 4TZ" / Installation example



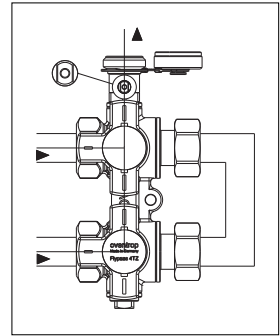
Normal operation



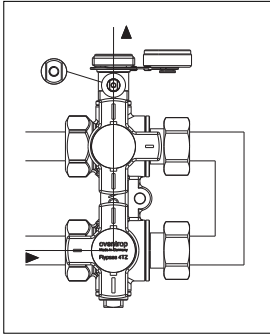
Bypass operation



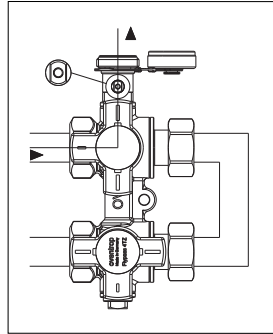
Isolation



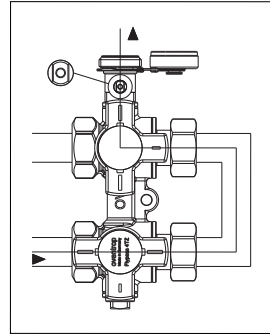
Filling and bleeding the system side



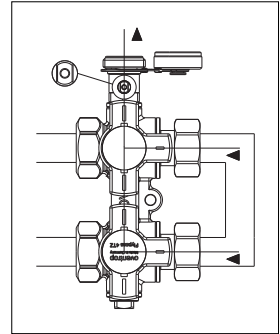
Draining, bleeding and flushing the system side



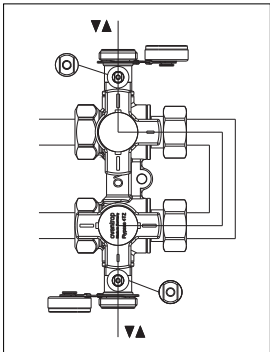
Draining, bleeding and flushing the system side



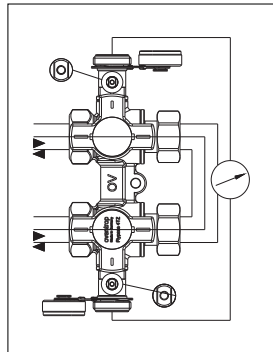
Filling, bleeding and flushing the appliance side (1)



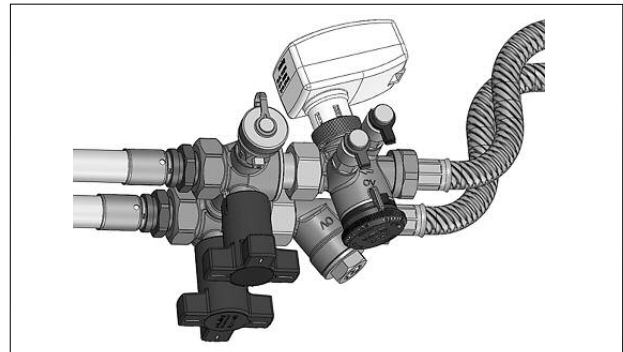
Isolating and draining the appliance side



Re-filling, bleeding and flushing the appliance side (1) (2) (4)



Differential pressure measurement (3)



Installation example "Flypass 4TZ" connection system consisting of: "Flypass 4TZ" and accessories (to be ordered separately)

- (1) If required, open all components on the appliance side completely
- (2) Accessory fill and drain ball valve required
- (3) Accessory fill and drain ball valve as well as measuring system "OV-DMC2" or "OV-DPMC" required
- (4) Can be used with filled supply and return pipe

Subject to technical modification without notice.

Product range 3
ti 311-EN/10/MW
Edition 2015

Printed on paper free from
chlorine bleaching.

OVENTROP GmbH & Co. KG
Paul-Oventrop-Straße 1
D-59939 Olsberg
Germany
Telephone +49(0)2962 82-0
Telefax +49(0)2962 82-450
E-Mail mail@oventrop.de
Internet www.oventrop.de

For an overview of our global presence
visit www.oventrop.de.