

Tender specification:

Stainless steel distributor/collector “Multidis SF” for surface heating and cooling systems, item no. 14041 and 14042, with valve inserts M 30 x 1.5 convertible to thermostatic operation and integrated flow measuring and regulating devices, pre-assembled.

Technical data:

Max. operating temperatur t_s : 70 °C
 Max. operating pressure p_s : 6 bar
 Max. differential pressure: 1 bar
 k_{vs} -value: 0.9 m³/h (item no. 14042, with flow measuring and regulating devices 0.6-2.4 l/min.)
 k_{vs} -Wert: 1.2 m³/h (item no. 14041, with flow measuring and regulating devices 1-4 l/min.)

Stainless steel flow distributor (1.4301)

with valve inserts M 30 x 1.5, nickel plated nipples, G 3/4 male threaded connection according to DIN EN 16313 (cone “Euro”) for Oventrop compression fittings, nickel plated collar nut with G 1 female thread for the direct connection of a flat sealing ball valve, e.g. Oventrop item no. 14063/64/6583 or 14063/64/6584, fill and drain ball valve with connection for a DN 15 hose connection, e.g. Oventrop item no. 1034552, nickel plated vent plug G 1/2 with rotating outlet and nickel plated blind plug G 3/4.

Stainless steel return collector (1.4301)

with integrated flow measuring and regulating devices, nickel plated nipples, G 3/4 male threaded connection according to DIN EN 16313 (cone “Euro”) for Oventrop compression fittings, nickel plated collar nut with G 1 female thread for the direct connection of a flat sealing ball valve, e.g. Oventrop item no. 14063/64/6583 or 14063/64/6584, fill and drain ball valve with connection for a DN 15 hose connection, e.g. Oventrop item no. 1034552, nickel plated vent plug G 1/2 with rotating outlet and nickel plated blind plug G 3/4.

Brackets made of galvanised steel for the installation of the distributor/collector in the cabinet or onto the wall are loosely added. The sound insulation of the brackets corresponds to DIN 4109, sound-insulation in building construction.

Tender specification:

Stainless steel distributor/collector “Multidis SF” for surface heating and cooling systems, item no. 14040, with valve inserts M 30 x 1.5 convertible to thermostatic operation and integrated regulating inserts, pre-assembled.

Technical data:

Max. operating temperatur t_s : 70 °C
 Max. operating pressure p_s : 6 bar
 Max. differential pressure: 1 bar
 k_{vs} -value: 1.9 m³/h (item no. 14040, with regulating inserts)

Stainless steel flow distributor (1.4301), like item no. 14041/14042.

Stainless steel return collector (1.4301) with integrated regulating inserts, other details like item no. 14041/14042.

Brackets like item no. 14041/14042.

Application:

The Oventrop distributors/collectors are designed for surface heating and cooling systems with circulation pump.

They are part of the Oventrop surface heating and cooling system “Cofloor”.

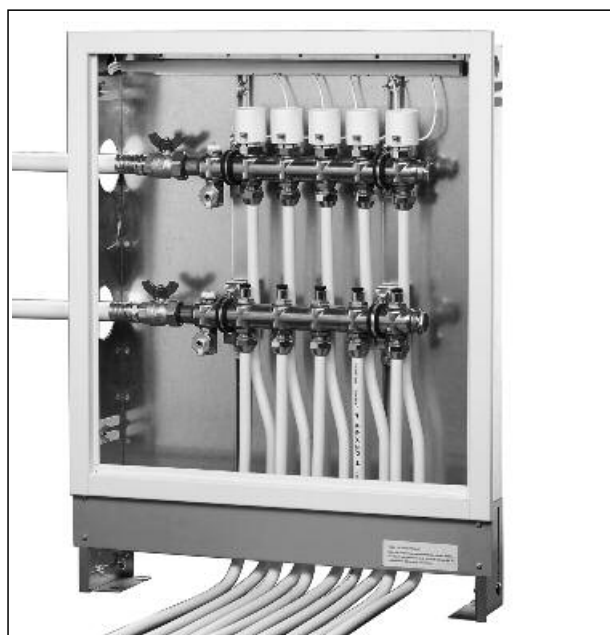
The supply and return pipe may be connected either on the left or right hand side.

The brackets allow the fixing of the distributor/collector in the cabinet or directly onto the wall.

When using a heat meter, its lengths have to be taken into consideration when choosing the cabinet. To enlarge the depth of the cabinet, the frame and the door have to be pulled out.



“Multidis SF” Stainless steel distributor/collector Item no. 14041.. and 14042..



“Multidis SF” Stainless steel distributor/collector Item no. 14040..



Ball valve DN20/DN 25, flat sealing

“Multidis SF” Stainless steel distributor/collector for surface heating and cooling systems

The ball valve DN 25 with temperature sensor connection M 10 x 1, Oventrop item no. 1406708, can be used at the supply of the stainless steel distributor/collector.

Oventrop offers suitable compression fittings for all types of pipe, for instance composition pipes “Copipe”, PE-Xc pipes “Copex”, PE-RT pipes “Copert” and copper pipes.

The installation instructions are to be observed.

Function:

The Oventrop stainless steel distributors/collectors “Multidis SF” allow a central distribution of heating/cooling water to the different circuits of each dwelling unit.

It is recommended to equip the distributors/collectors with ball valves, e.g. Oventrop item no. 14063/64/6583 or 14063/64/6584. They enable the isolation of the supply and return pipe, e.g. for maintenance work.

For filling and flushing the heating circuits, the distributor/collector is equipped with fill and drain ball valves with a connection for a DN 15 hose connection, e.g. Oventrop item no. 1034552.

The installation may be bled during the filling process and when the heating system is in operation via the vent plug.

Hydronic balancing is carried out with the help of the integrated inserts of the return collector.

As for the distributors/collectors item no. 14041 and 14042, the calculated volume flow is set at the handwheel of the flow measuring and regulating device. The set value can be read off at the viewing glass with scale (item no. 14041: 1-4 l/min. and item no. 14042: 0.6-2.4 l/min.). A locking sleeve serves to secure the setting.

As for the distributor/collector item no. 14040, regulation is carried out according to the below chart. The calculated volume flow is set at the hidden stem of the regulating insert. A reproducible presetting is possible.

Oventrop offers a calculation programme for the design of a surface heating with the Oventrop pipes “Copipe”, “Copex” and “Copert”.

The valve inserts M 30 x 1.5 in the supply pipe which are convertible to thermostatic operation allow the individual room temperature control prescribed in the German Energy Saving Directive.

The Oventrop electrothermal actuators and room thermostats or thermostats with remote control are used for this purpose (see catalogue “Products”, product range 2).

Advantages:

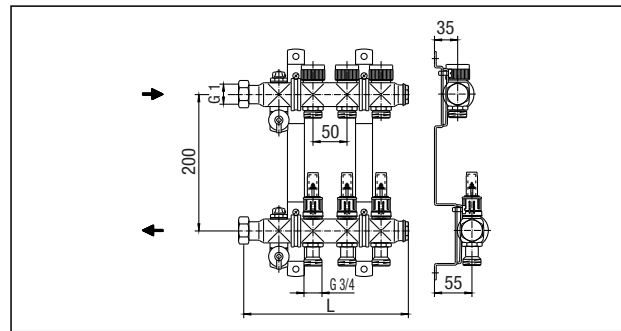
- all components from one supplier
- time-saving installation due to pre-assembled distributors/collectors, no sealing required
- hydronic balancing as well as the regulation of the surface heating and cooling system can be carried out at the compact, central distributor/collector
- stainless steel distributors/collectors guarantee a high quality standard
- corrosion resistant
- good hydronic values
- low installation depth when installing electrothermal actuators
- optional connection of a heat meter for the central registration of the heat output
- the Oventrop “Combi-System” with the composition pipes “Copipe”, press fittings “Cofit P” and screwed fittings “Cofit S” allows a fast and safe connection of the distributor/collector to the risers
- the Oventrop programme includes composition pipes “Copipe”, PE-Xc pipes “Copex”, PE-RT pipes “Copert” as well as suitable connection fittings for surface heating and cooling circuits
- standard pipes of other manufacturers may also be connected with Oventrop pipe connection fittings

OVENTROP GmbH & Co. KG
Paul-Oventrop-Straße 1
D-59939 Olsberg, Germany
Telephone +49(0) 2962 82-0
Fax +49(0) 2962 82-450
E-Mail mail@oventrop.de
Internet www.oventrop.de

Subject to technical modification without notice.

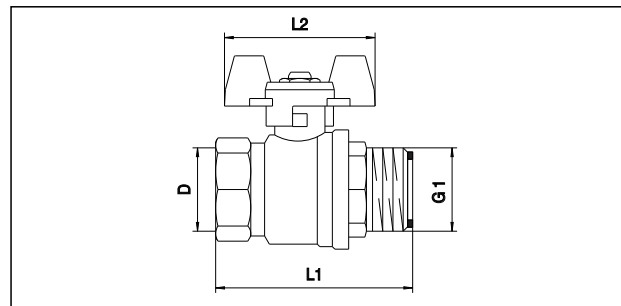
Product range
ti 77-EN/10/MW
Edition 2015

For an overview of our global presence visit www.oventrop.de



Dimensions

| Item no. | Outlets | Length (L) | Length with ball valves 1406384 |
|---------------|---------|------------|---------------------------------|
| 14040/41/4252 | 2 | 190 mm | 270 mm |
| 14040/41/4253 | 3 | 240 mm | 320 mm |
| 14040/41/4254 | 4 | 290 mm | 370 mm |
| 14040/41/4255 | 5 | 340 mm | 420 mm |
| 14040/41/4256 | 6 | 390 mm | 470 mm |
| 14040/41/4257 | 7 | 440 mm | 520 mm |
| 14040/41/4258 | 8 | 490 mm | 570 mm |
| 14040/41/4259 | 9 | 540 mm | 620 mm |
| 14040/41/4260 | 10 | 590 mm | 670 mm |
| 14040/41/4261 | 11 | 640 mm | 720 mm |
| 14040/41/4262 | 12 | 690 mm | 770 mm |



| Item no. | Size | D | L1 | L2 |
|----------|-------|-------|-------|-------|
| 1406383 | DN 20 | G 3/4 | 55 mm | 55 mm |
| 1406384 | DN 25 | G 1 | 80 mm | 60 mm |

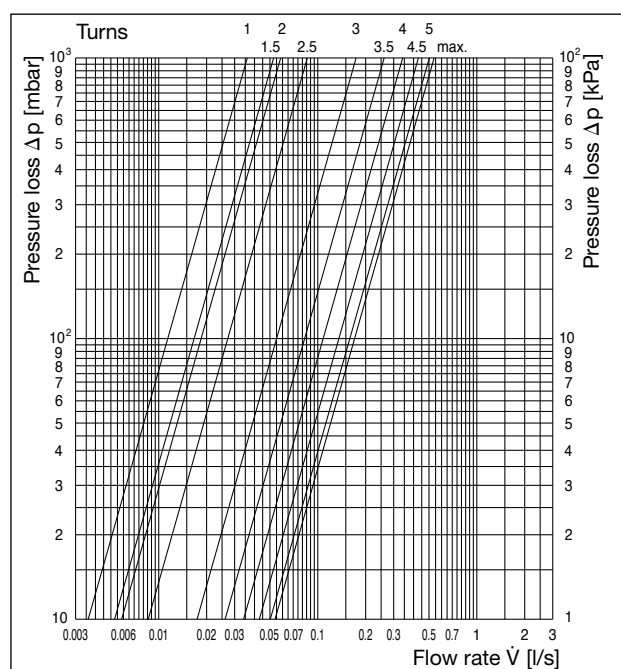


Chart for distributor collector item no. 14040: Valve insert open and regulating insert for different presetting values