

Application:

The Oventrop isolating and orifice valves “Hydrocontrol ATR” PN 16/PN 25 are installed in the risers of hot water central heating and cooling systems and allow for the isolation of the risers.

The Oventrop isolating and orifice valves feature two threaded ports closed with blind plugs which can be equipped with fill and drain ball valves (accessory).

The isolating and orifice valves may be installed in the supply and the return pipe.

Copper pipes (according to DIN EN 1057) can be connected to the female thread DN 15 and DN 20 with the help of the corresponding compression fittings “Ofix” (reinforcing sleeves are to be used!).

When installing the valve it must be ensured that the direction of flow conforms to the direction of the arrow on the valve body.

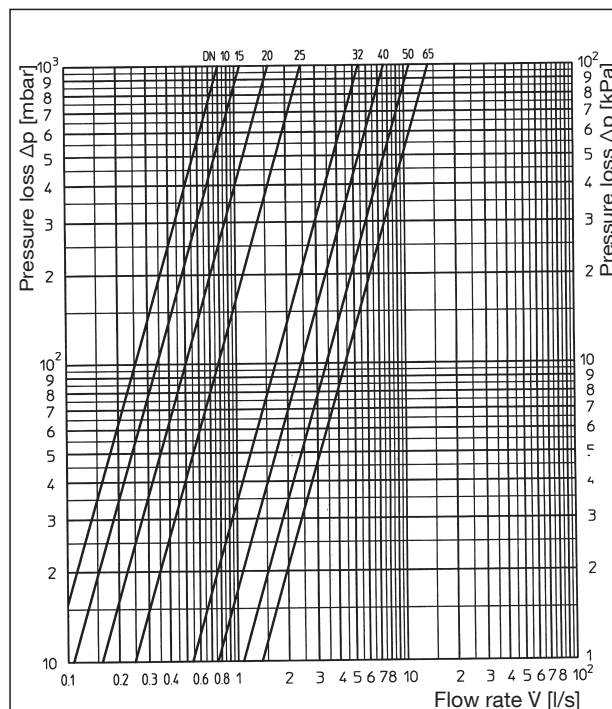
The indicated k_{vs} values are valid for both, installation in the supply and the return pipe, provided the direction of flow conforms to the arrow on the valve body.

Advantages:

- the location of the functional components in one plane allows for a simple installation and easy operation
- only one valve for three functions:
 - isolating
 - filling
 - draining
- the supply and return pipe can be marked by use of the colour rings supplied with each valve
- low pressure loss (oblique pattern)
- threads according to EN 10226, suitable for Oventrop compression fittings (item no. 1027151-58) for copper pipes up to a max. diameter of 22 mm and the Oventrop composition pipe “Copipe”
- fill and drain ball valve with O-ring seal towards the valve body (no additional seals required)



“Hydrocontrol ATR”



Flow chart item no. 10675/76

**“Hydrocontrol ATR” PN 16/PN 25
Bronze isolating and orifice valves**

Tender specification:

Oventrop isolating and orifice valves “Hydrocontrol ATR” PN 16 (female threaded model DN 10 - DN 50: PN 25) for central heating and cooling systems, not suitable for steam. Colour rings for marking of supply and return pipe at the handwheel. Valve body (oblique pattern) and bonnet made of bronze, disc and stem made of dezincification resistant brass. Disc with PTFE seal. Maintenance-free stem seal due to double O-ring. All functional components in one plane. Blind plug and fill and drain ball valve interchangeable. Installation in the supply and the return pipe.

Technical data:

Max. operating temperature t_s : +150 °C)
 Min. operating temperature t_s : -20 °C
 Max. operating pressure p_s : 16 bar
 25 bar (female thread DN 10-
 DN 50)

Models:

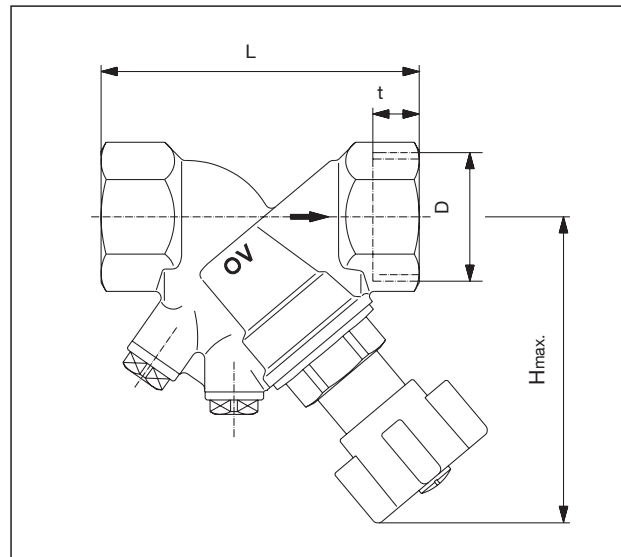
“Hydrocontrol ATR”

both ports female thread according to EN 10226, with threaded ports for accessories (closed with blind plugs)

Size	k_{vs}	Item no.:
DN 10	2.88	1067503
DN 15	3.88	1067504
DN 20	5.71	1067506
DN 25	8.89	1067508
DN 32	19.45	1067510
DN 40	27.51	1067512
DN 50	38.78	1067516
DN 65	50.00	1067520

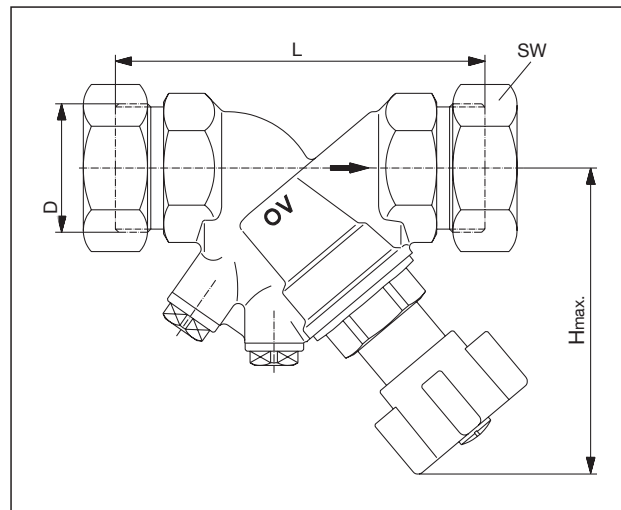
both ports male thread with collar nut, with threaded ports for accessories (closed with blind plugs)

Size	k_{vs}	Item no.:
DN 10	2.88	1067603
DN 15	3.88	1067604
DN 20	5.71	1067606
DN 25	8.89	1067608
DN 32	19.45	1067610
DN 40	27.51	1067612
DN 50	38.78	1067616



DN	D DIN EN 10226	t	L	Hmax.	SW*
10	Rp 3/8	10.1	73	98	27
15	Rp 1/2	13.2	80	98	27
20	Rp 3/4	14.5	84	100	32
25	Rp 1	16.8	97,5	105	41
32	Rp 1 1/4	19.1	110	127	50
40	Rp 1 1/2	19.1	120	133	55
50	Rp 2	25.7	150	145	70
65	Rp 2 1/4	20.2	151	186	85

Dimensions both ports female thread 1067503...20



DN	D DIN EN 10226	L	Hmax.	SW*
10	G 5/8	86	98	28
15	G 3/4	88	98	30
20	G 1	93	100	37
25	G 1 1/4	110	105	46
32	G 1 1/2	110	127	52
40	G 1 3/4	120	133	58
50	G 2 3/8	150	145	75

Dimensions both ports male thread with collar nut 1067604...16

*SW = spanner size

Tailpipe sets:

2 weldable tailpipes

	Item no.:
for valve DN 10	1060591
for valve DN 15	1060592
for valve DN 20	1060593
for valve DN 25	1060594
for valve DN 32	1060595
for valve DN 40	1060596
for valve DN 50	1060597

2 solder tailpipes

15 mm	for valve DN 15	1061092
18 mm	for valve DN 20	1061093
22 mm	for valve DN 20	1061094
28 mm	for valve DN 25	1061095
35 mm	for valve DN 32	1061096
42 mm	for valve DN 40	1061097
54 mm	for valve DN 50	1061098

2 male threaded tailpipes

R 3/8	for valve DN 10	1061491
R 1/2	for valve DN 15	1061492
R 3/4	for valve DN 20	1061493
R 1	for valve DN 25	1061494
R 1 1/4	for valve DN 32	1061495
R 1 1/2	for valve DN 40	1061496
R 2	for valve DN 50	1061497

2 female threaded tailpipes

Rp 1/2	for valve DN 15	1019364
Rp 3/4	for valve DN 20	1019366
Rp 1	for valve DN 25	1061394
Rp 1 1/4	for valve DN 32	1061395

Accessories:

Fill and drain ball valve	1060191
Extension for fill and drain ball valve (80 mm)	1060295
Extension for fill and drain ball valve (40 mm)	1688295

Insulation shells item no. 1060081-86:

Two-piece insulation made of polyurethane with tongue-and-groove fitting.

Only for heating systems.

Operating temperature t_s : +130 °C (for short periods up to +150 °C)

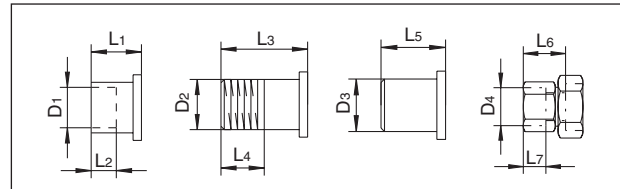
Insulation shells item no. 1060481-86:

Insulation shells made of closed-cell foamed polyethylene with additional solid mesh effect made of polypropylene.

One-piece insulation of symmetric construction with tongue-and-groove fitting.

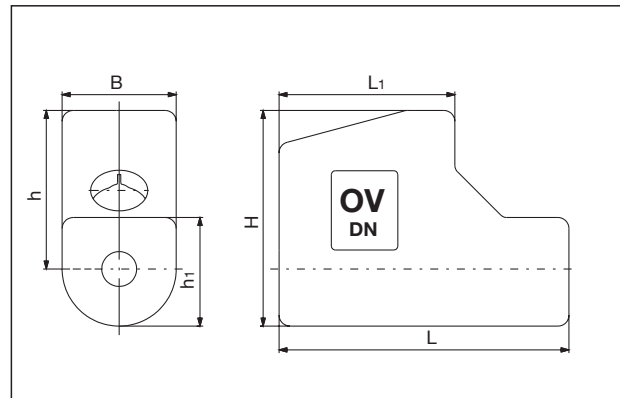
Only for heating systems.

Operating temperature t_s : +100 °C



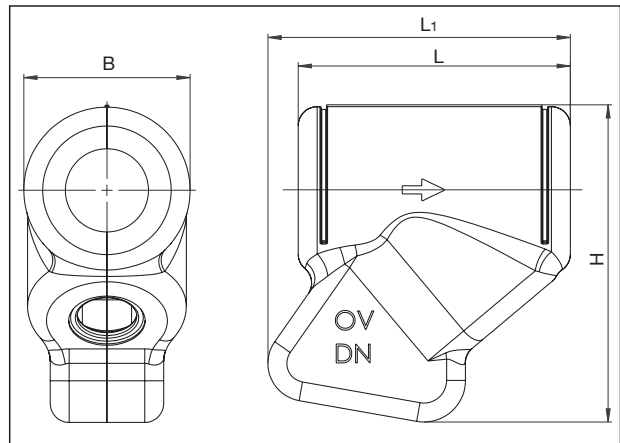
DN	D1	L1	L2	D2 EN 10226	L3	L4	D3	L5	D4 EN 10226	L6	L7
10	-	-	-	R 3/8	25	10,1	16	50	-	-	-
15	15	18	12	R 1/2	31	13,2	20,5	50	Rp 1/2	37	13,2
20	18	23	15	R 3/4	34	14,5	26	50	Rp 3/4	38	14,5
20	22	24	17	-	-	-	-	-	-	-	-
25	28	27	20	R 1	40	16,8	33	60	Rp 1	53	16,8
32	35	32	25	R 1 1/4	46	19,1	41	60	Rp 1 1/4	55	19,1
40	42	37	29	R 1 1/2	49	19,1	47,5	65	-	-	-
50	54	50	40	R 2	55	23,4	60	65	-	-	-

Tailpipe set dimensions



DN	Item no.	B	L	L1	H	h	h1
10/15	1060081	72	183	111	136	100	69
20	1060082	80	195	122	143	103	77
25	1060083	88	243	141	151	107	85
32	1060084	102	254	149	172	121	97
40	1060085	109	250	152	185	131	105
50	1060086	125	276	163	209	147	120

Insulation shell dimensions



DN	Item no.	B	L	L1	H
10/15	1060481	66	120	137	135
20	1060482	74	126	140	142
25	1060483	88	140	149	155
32	1060484	88	144	160	168
40	1060485	93	145	156	178
50	1060486	110	188	179	202

Insulation shell dimensions

Subject to technical modifications without notice.

Product range 2.1
ti 220-EN/10/MW
Edition 2020