



Function:

Oventrop double regulating and commissioning valves “Aquastrom C” are installed in the circulation pipes of potable water installations and serve to achieve a hydronic balance between the various circuits of the system.

The balance is achieved by a presetting with memory lock.

The required presetting values can be obtained from the flow charts. All intermediate values are infinitely adjustable.

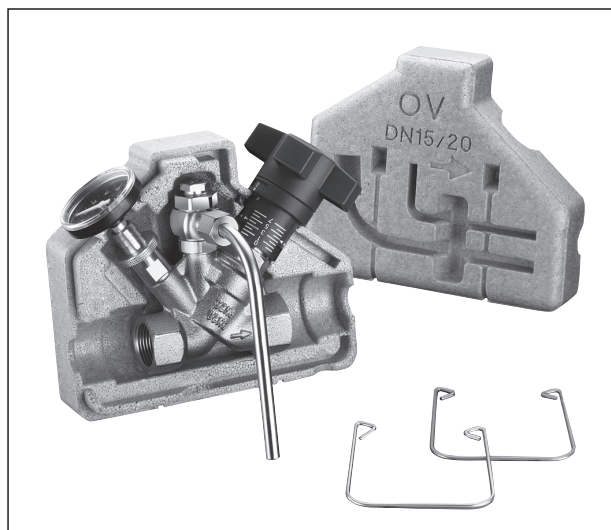
The selected presetting can be read off two scales (basic scale and fine adjustment scale, see illustration presetting). The Oventrop double regulating and commissioning valves have two threaded ports which are closed with a blind plug and a draining valve for hose connection which is equipped with a thermometer. The draining valve allows draining off the system for maintenance or repair. The threaded ports may also be equipped with fill and drain ball valves or pressure test points for the measurement of differential pressure. When installing the valve it must be ensured that the direction of flow conforms to the direction of the arrow on the valve body and that the valve is installed with a minimum of $L = 3 \times \varnothing$ of straight pipe at the valve inlet.

Advantages:

- the location of the functional components in one plane allows for a simple assembly and easy operation
- only one valve for 5 functions
 - presetting
 - isolating
 - temperature display
 - draining
 - measuring (pressure test points, see accessories)
- infinitely adjustable presetting, exact measurement of pressure loss and flow via the pressure test points (accessories)
- draining valve for hose connection, plug, fill and drain ball valve and pressure test point with O-ring seal towards the valve body
- with insulation
- DVGW, SVGW, KIWA, ASC, VA and WaterMark certified



“Aquastrom C”



“Aquastrom C” with insulation and “Aquastrom P”

**“Aquastrom C” Double regulating and commissioning valves
for circulation pipes in potable water installations**

Presetting:

1. The presetting value of the valve is set by turning the handwheel.
 - a. The display of the basic setting is shown by the longitudinal scale together with the sliding indicator. Each turn of the handwheel is represented by a line on the longitudinal scale.
 - b. The display of the fine setting is shown by the peripheral scale on the handwheel together with the marking. The subdivisions of the peripheral scale correspond to 1/10th of a turn of the handwheel.
2. Limitation of the presetting value by turning the inner adjustment stem clockwise until it seats. This can be done using the long end of a 3 mm Allen key.

**Double regulating and commissioning valve “Aquastrom C”
Tender specification:**

Double regulating and commissioning valve PN 10 for potable water installations, DVGW, SVGW, KIWA, ASC, VA and WaterMark certified, both ports with male thread according to DIN ISO 228 for flat sealing couplings, temperature range up to 90 °C, oblique pattern with secured, infinitely adjustable fine presetting controllable at any time, thermometer for temperature monitoring, draining valve for hose connection for draining off the riser, optical display of the presetting depending on the orientation of the handwheel, valve body and bonnet made of bronze, disc and stem made of brass resistant to de-zincification (DZR), disc with PTFE seal, maintenance-free stem seal due to double O-ring, all functional components in one plane.

Double regulating and commissioning valves both ports with male thread according to ISO 228 for flat sealing couplings

	Item no.
DN 15 G ¾	4207104
DN 20 G 1	4207106
DN 25 G 1¼	4207108
DN 32 G 1½	4207110

with mounted water sampling valve

DN 15 G ¾	4207504
DN 20 G 1	4207506
DN 25 G 1¼	4207508
DN 32 G 1½	4207510

**Double regulating and commissioning valve “Aquastrom C”
Tender specification:**

Double regulating and commissioning valve PN 10 for potable water installations, DVGW, SVGW, KIWA, ASC, VA and WaterMark certified, both ports with female thread according to EN 10226-1, temperature range up to 90 °C, oblique pattern with secured, infinitely adjustable fine presetting controllable at any time, thermometer for temperature monitoring, draining valve for hose connection for draining off the riser, optical display of the presetting depending on the orientation of the handwheel, valve body and bonnet made of bronze, disc and stem made of brass resistant to de-zincification (DZR), disc with PTFE seal, maintenance-free stem seal due to double O-ring, all functional components in one plane.

Double regulating and commissioning valves both ports with female thread according to EN 10226-1

DN 15 Rp ½	4208104
DN 20 Rp ¾	4208106
DN 25 Rp 1	4208108
DN 32 Rp 1¼	4208110

with mounted water sampling valve

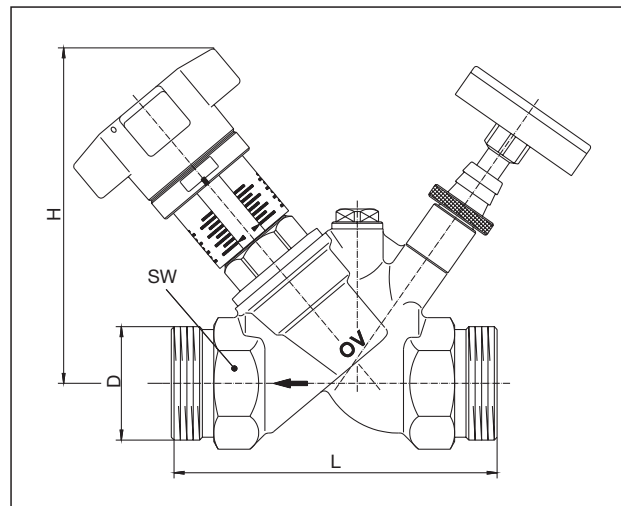
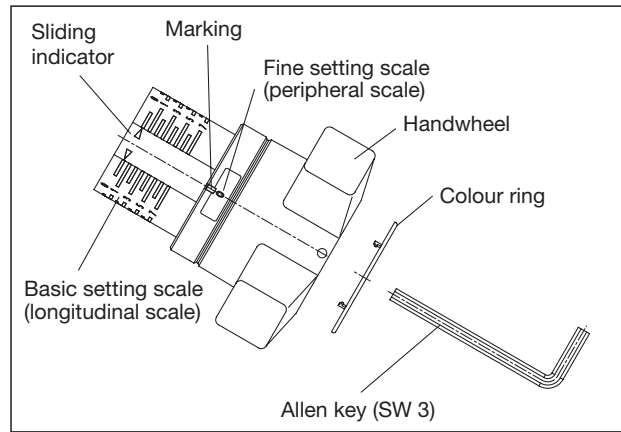
DN 15 Rp ½	4208504
DN 20 Rp ¾	4208506
DN 25 Rp 1	4208508
DN 32 Rp 1¼	4208510

Basic model without insulation, without draining valve for hose connection and without thermometer

DN 15 Rp ½	4208152
DN 20 Rp ¾	4208154
DN 25 Rp 1	4208156
DN 32 Rp 1¼	4208158

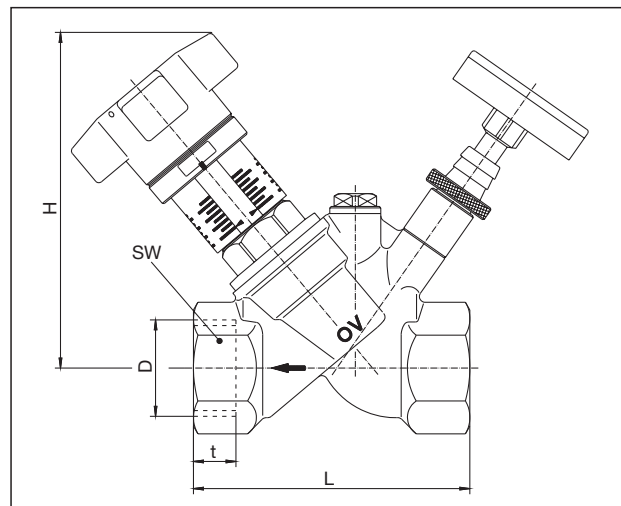
Accessories:

1 fill and drain ball valve	4200191
1 thermometer	4205151
2 pressure test point	1060281
Further accessories see “Hydrocontrol VTR”, product range 3	



DN	D DIN ISO 228	L	H	SW*
15	G ¾	88	111	27
20	G 1	93	112	32
25	G 1¼	110	116	41
32	G 1½	110	133	46

both ports ISO male thread, item no. 42071..

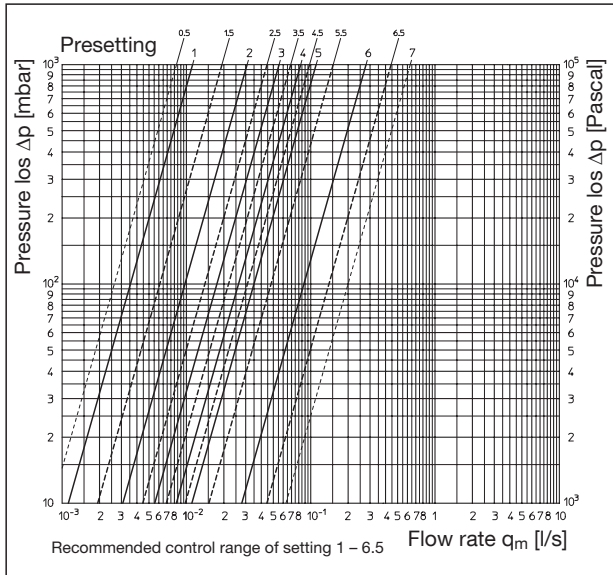


DN	D EN 10226-1	t	L	H	SW*
15	Rp ½	13.2	80	111	27
20	Rp ¾	14.5	84	112	32
25	Rp 1	16.8	97.5	113	41
32	Rp 1¼	19.1	110	133	49

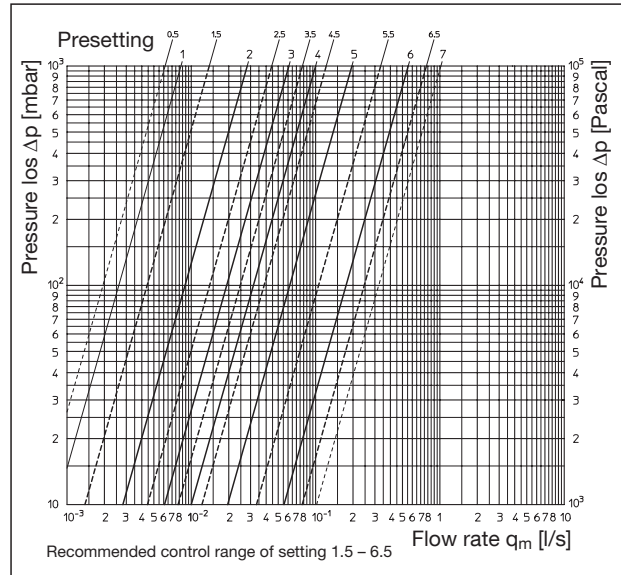
both ports EN female thread, item no. 42081..

* SW = Spanner size

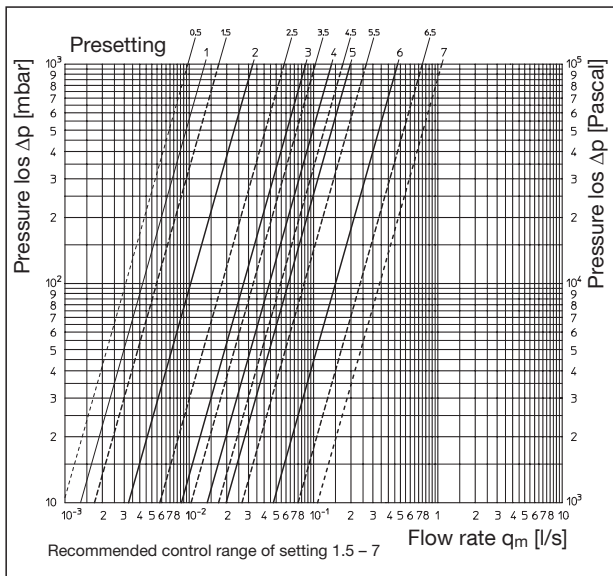
“Aquistrom C” Double regulating and commissioning valves for circulation pipes in potable water installations



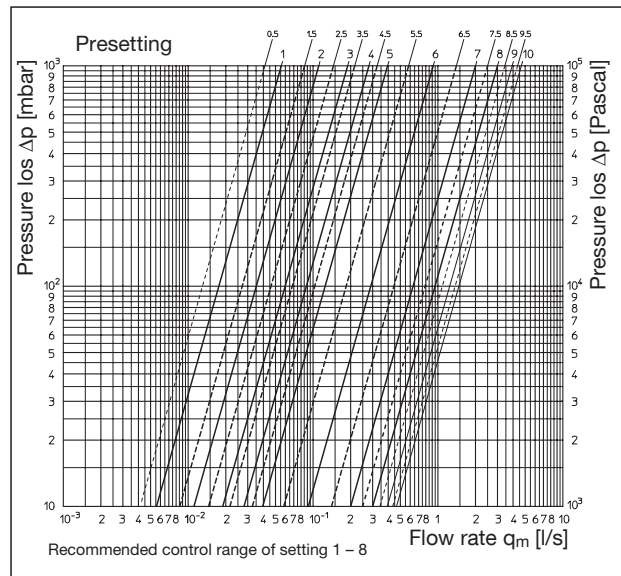
Size DN 15



Size DN 20



Size DN 25

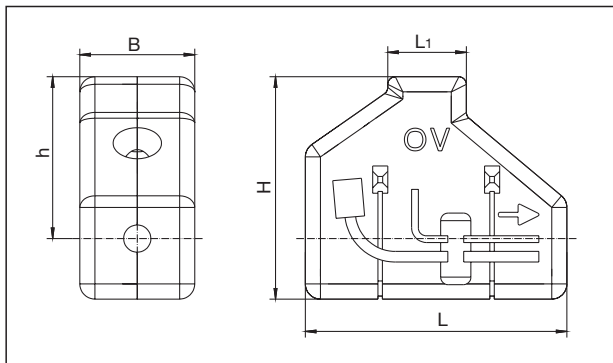


Size DN 32

Note regarding charts:

Avoid valve settings below the recommended range of setting. Too high a differential pressure across the valve unit may lead to noises and may cause damage to the valves.

Insulation shells:



Tender specification:

Insulation shells made of polystyrene, double shells with two stainless steel clamps

Sizes	Item no.:
DN 15/DN 20	4208181
DN 25	4208182
DN 32	4208183

DN	B	L	L ₁	H	h
15	76	173	52	147	107
20	76	173	52	147	107
25	97	220	42	154	114
32	97	224	52	175	130

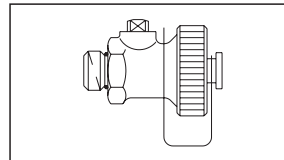
Dimensions

**“Aquastrum C” Double regulating and commissioning valves
for circulation pipes in potable water installations**

Accessories sets:

Set no. 1: 1 fill and drain ball valve G 1/4

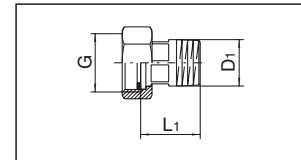
with hose connection G 3/4 and cap
(components in contact with the fluid free from brass)



Set no. 1 item no. 4200191

Set no. 2: Tailpipe (bronze), flat sealing, with male thread according to EN 10226-1, with collar nut and ring gasket (EPDM)

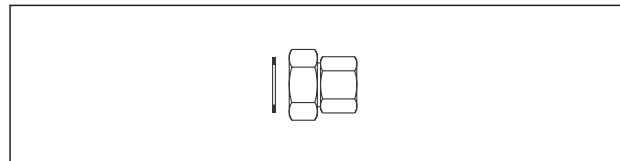
DN	Connection thread valve	L ₁	D ₁ according to EN 10226
15	G 3/4	31	R 1/2
20	G 1	34	R 3/4
25	G 1 1/4	40	R 1
32	G 1 1/2	46	R 1 1/4



Set no. 2 item no. 4201472-75

Set no. 3: Tailpipe (bronze), flat sealing, with female thread according to EN 10226-1, with collar nut and ring gasket (EPDM)

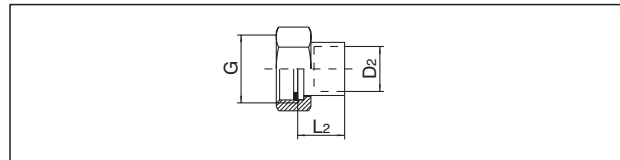
DN	Size
15	Rp 1/2 x G 3/4 collar nut (brass)
20	Rp 3/4 x G 1 collar nut (brass)
25	Rp 1 x G 1 1/4 collar nut (bronze)
32	Rp 1 1/4 x G 1 1/2 collar nut (bronze)



Set no. 3 item no. 4201372-75

Set no. 4: Solder tailpipe (bronze), flat sealing, with collar nut and ring gasket (EPDM)

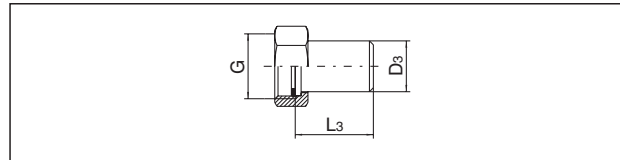
DN	Connection thread valve	L ₂	D ₂
15	G 3/4	18	15
15	G 3/4	20	18
20	G 1	23	22
25	G 1 1/4	27	28
32	G 1 1/2	32	35



Set no. 4 item no. 4202072-76

Set no. 5: Weldable tailpipe (steel), flat sealing, with collar nut and ring gasket (EPDM)

DN	Connection thread valve	L ₃	D ₃
15-32	G 3/4 - G 1 1/2	31.5-36	20.5-41



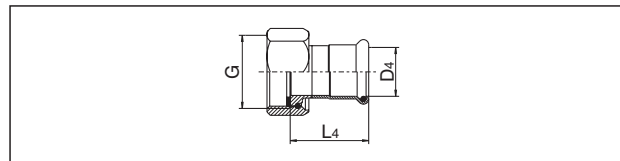
Set no. 5 item no. 4200572-75

Bronze or stainless steel press fittings

System mapress/system Viega

flat sealing with collar nut or as screwed fittings for copper and stainless steel pipes, also with silicone-free seals

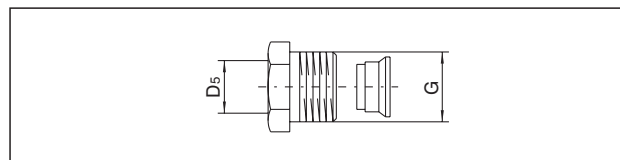
Ø 15 mm – Ø 35 mm system mapress 42015..
Ø 15 mm – Ø 35 mm system Viega 420120..



Item no. 4201572-76

Set of compression fittings for copper pipe, compression nut and compression ring made of brass, item no. 1027150-58

DN	G	D ₅
15	G 1/2	10 mm
15	G 1/2	12 mm
15	G 1/2	14 mm
15	G 1/2	15 mm
15	G 1/2	16 mm
20	G 3/4	18 mm
20	G 3/4	22 mm



Item no. 1027150-58

“Combi-System” see catalogue “Products”, product range 13 DVGW reg.-no. DW-8501AT2407

Composition pipe “Copipe”

DN 10 (14 mm) – DN 50 (63 mm)

Press connection with male thread “Cofit P”

DN 12 (16 mm) – DN 50 (63 mm)

Press connection with collar nut “Cofit P”

with flat seal

DN 12 (16 mm) – DN 32 (40 mm)

Compression fittings with male thread “Cofit S”

DN 10 (14 mm) – DN 25 (32 mm)

Nipple “Cofit S”

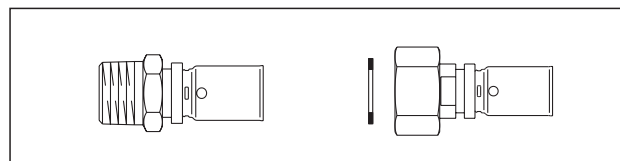
for the connection to valves and fittings with female thread

DN 12 (16 mm) – DN 25 (32 mm) (pipe dimension)

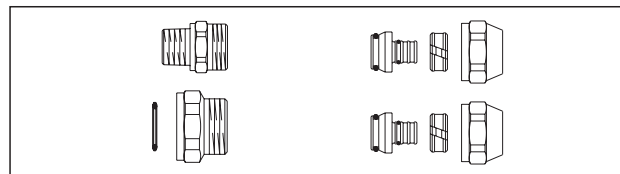
Connection piece “Cofit S” with flat seal

for the connection to valves and fittings with male thread

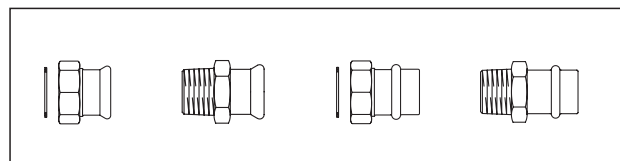
DN 12 (16 mm) – DN 25 (32 mm) (pipe dimension)



Connection system “Cofit P” for female and male threaded connection



Connection system “Cofit S” for female and male threaded connection



Item no. 42015/16..
System mapress/system Viega
Connection fittings

Subject to technical modification without notice.

Product range 12
ti 154-EN/20/MW
Edition 2020