

Application:

The Oventrop boiler connection system Regumat-130 DN 20 - pump length 130 mm - allows for a time-, cost- and space-saving connection of the boiler to the pipework. The Regumat-130 stations are available with or without high-efficiency pumps.

Advantages:

- pre-assembled connection system for pumps with a length of 130 mm
- high quality materials
- universal thermal insulation of modular construction supplied with each Regumat
- easy installation by use of tailpipe sets
- no hemp sealing
- integrated wall mounting device
- supply and return pipe can be changed on site

Choice of the Regumat-130 stations:

Product assembly DN 20 for pump length 130 mm

- as basic model (without mixing valve)
- as model with three-way mixing valve with check valve and mounted actuator

Outer dimensions thermal insulation:

H = 360 mm, W = 230 mm , D = 190 mm



Regumat M3-130 DN 20

	Model <u>without</u> mixing valve	Model <u>with</u> mixing valve
	Regumat S-130	Regumat M3-130
Isolation device with 2 ball valves, 2 thermometers and wall mounting device	X	X
Flanged pipe with check valve	X	
Distance piece	X	
Three-way mixing valve with check valve and actuator (suitable for standard boiler regulations)		X
Thermal insulation	X	X

Tailpipe sets are available as accessories.

Tender specification: Regumat S-130 DN 20 - constant temperature heating circuit

Product assembly for the connection of the boiler to the pipework.

Consisting of: Isolation device with 2 ball valves for the isolation of the heating circuit, 2 thermometers integrated in the handles of the ball valves for flow and return temperature display, wall mounting device, flanged pipe with check valve in the return pipe to avoid gravity circulation and universal thermal insulation of modular construction.

Materials:

Valves and fittings: Brass
Seals: EPDM

Connections:

To heating circuit: G 1 male thread, flat sealing
To boiler: G 1 male thread, flat sealing
Pump: G 1 male thread, flat sealing

Technical data:

Nominal size: DN 20
Max. operating pressure: 10 bar (PN10)
Max. operating temperature: 95 °C
Opening pressure check valve: 20 mbar
k_{vs} value: 5.8
Recommended application range: max. 42 kW
($\Delta T = 20 \text{ K}$, $\Delta p = 100 \text{ mbar}$)

Models:

without high-efficiency pump	Item no.: 1355051
with high-efficiency pump (EEI ≤ 0.2)	
Grundfos ALPHA 2.1 15-60	1355057
Wilo-Stratos PICO 15/1-6	1355059

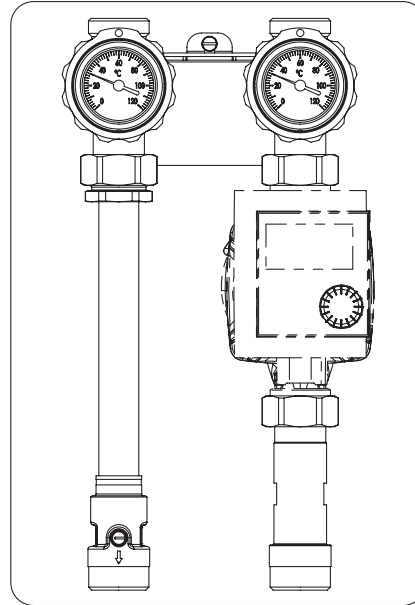
Function:

The station allows for the isolation of the supply and return pipe of the heating circuit. The check valve integrated in the return pipe avoids gravity circulation.

Note:

When the high-efficiency pump is switched off, a low gravity circulation depending on the circulation pressure is still possible within the heating system as the check valve is not tight sealing. On delivery, the supply pipe is on the right hand side. If required, the supply and the return pipe can be changed on site (see installation instructions).

To avoid malfunctions caused by impurities, the installation of an Oventrop strainer is recommended. The installation has to be flushed thoroughly before commissioning.



Regumat S-130

Tender specification: Regumat M3-130 DN 20 - variable temperature heating circuit

Product assembly for the connection of the boiler to the pipework.

Consisting of: Isolation device with 2 ball valves for the isolation of the heating circuit, 2 thermometers integrated in the handles of the ball valves for flow and return temperature display, wall mounting device, three-way mixing valve with check valve and mounted actuator and universal thermal insulation of modular construction.

Materials:

Valves and fittings: Brass
Seals: EPDM

Connections:

To heating circuit: G 1 male thread, flat sealing
To boiler: G 1 male thread, flat sealing
Pump: G 1 male thread, flat sealing

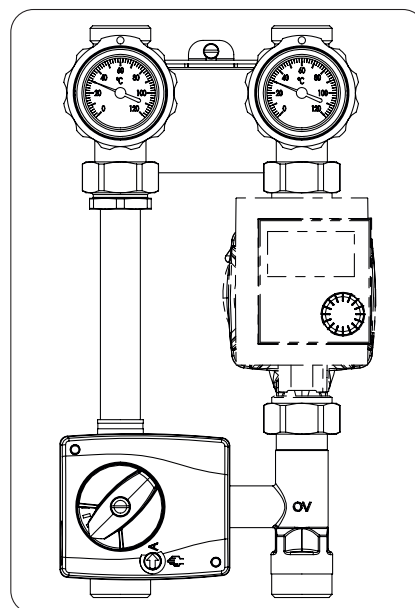
Technical data:

Nominal size: DN 20
Max. operating pressure: 10 bar (PN10)
Max. operating temperature: 95 °C
Opening pressure check valve: 20 mbar
Actuator: 230 V, 90°/140 sec., 5 Nm
k_{vs} value: 5.1
Recommended application range: max. 37 kW
($\Delta T = 20 \text{ K}$, $\Delta p = 100 \text{ mbar}$)

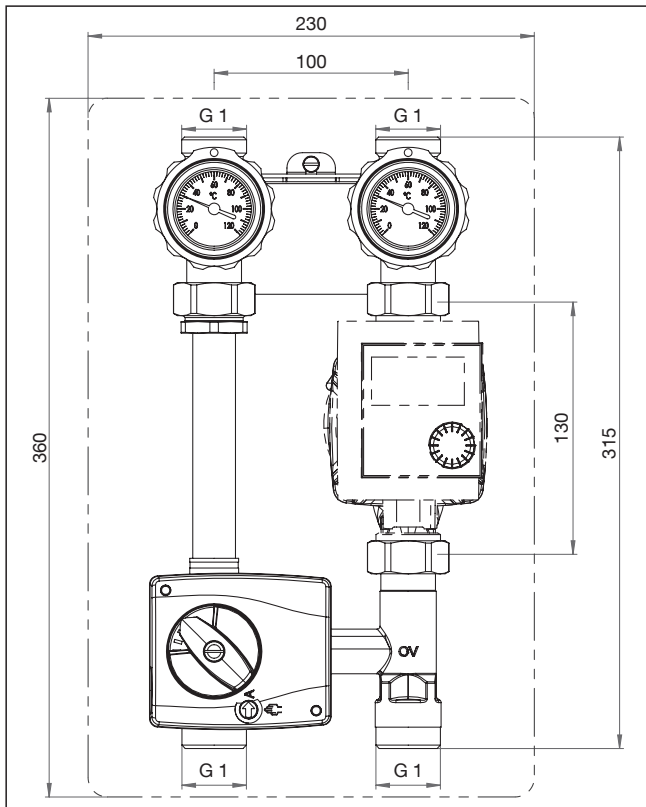
Models:

without high-efficiency pump	Item no.: 1355251
with high-efficiency pump (EEI ≤ 0.2)	
Grundfos ALPHA 2.1 15-60	1355257
Wilo-Stratos PICO 15/1-6	1355259

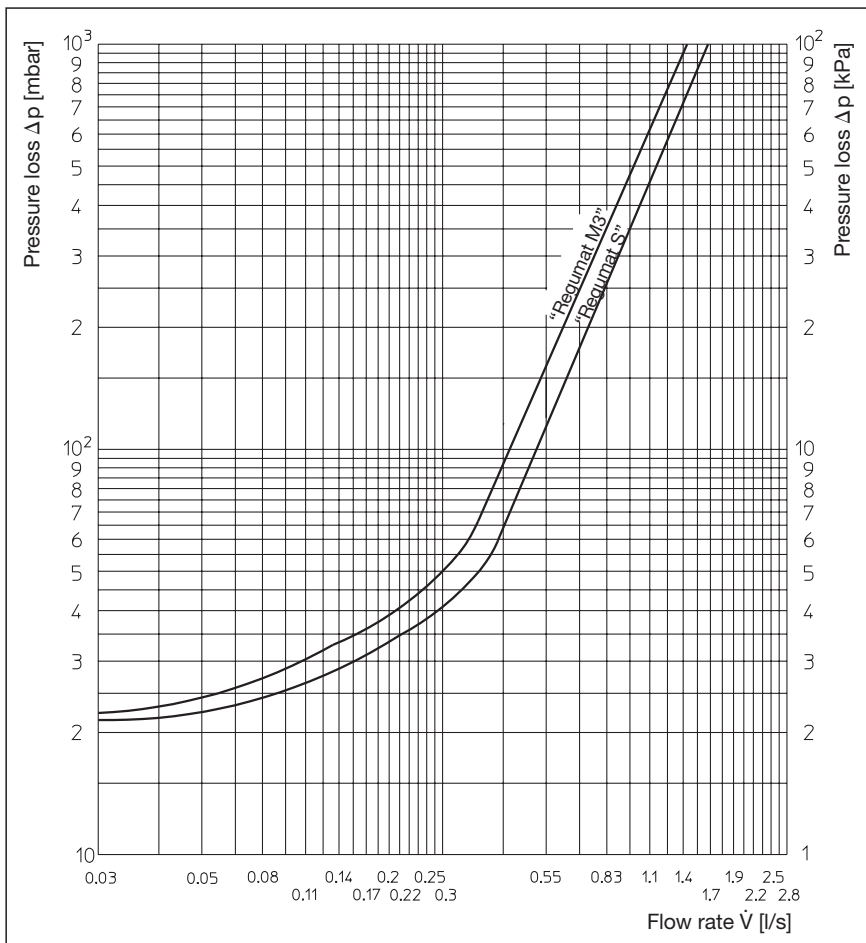
The Regumat M3-130 has the same design and function as the Regumat S-130. It is additionally equipped with a three-way mixing valve with check valve and mounted actuator. The three-way mixing valve serves to control the flow temperature.



Regumat M3-130



Dimensions Regumat M3-130 DN 20



Flow chart

Subject to technical modifications without notice.

Product range 3.1
ti 289-EN/10/MW
Edition 2020

