



Electromotive actuator  
"Aktor M ST L", 24 V, 0 - 10 V  
**Data sheet**



# 1. Functional description

## 1.1 Normal operation

The actuator opens or closes the valve depending on the applied control voltage.

The actuator can be adapted to the specific parameters of the valve used with the help of DIP switches.

## 1.2 Emergency end position

The actuator features an energy store.

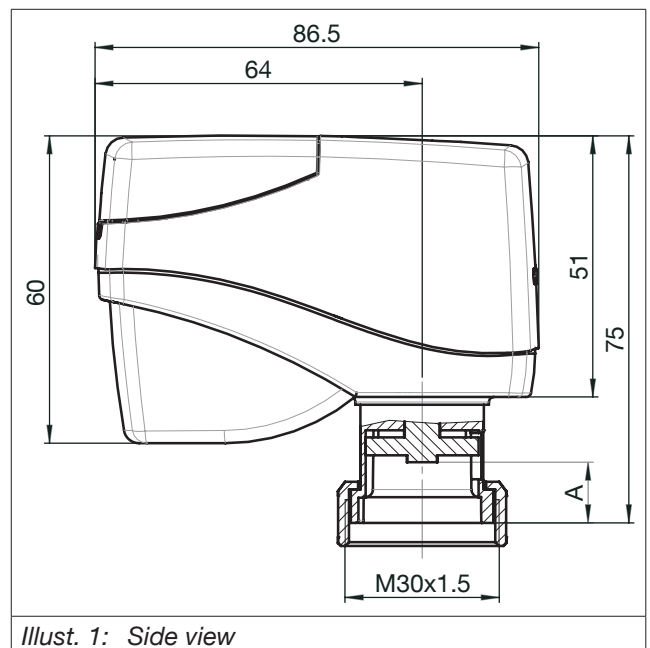
If the operating voltage fails, the stem of the actuator will move to the emergency end position.

# 2. Technical data

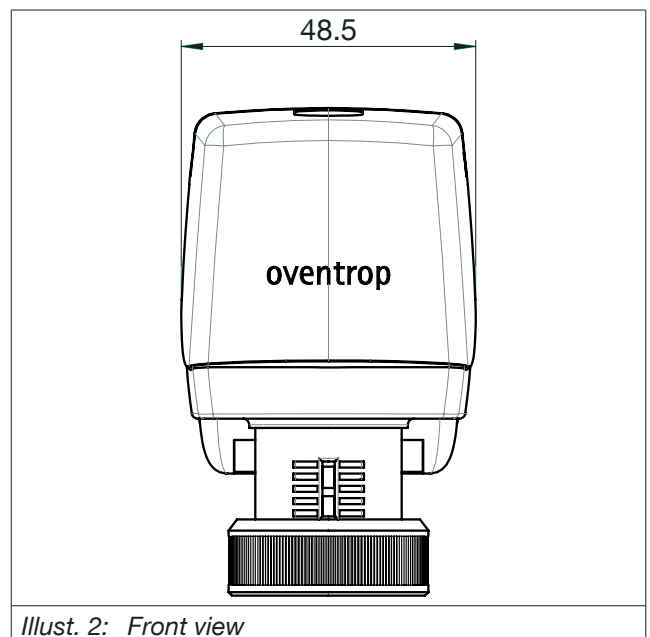
<b>Operating voltage</b>	24 V AC $\pm$ 10 %; 50/60 Hz; 24 V DC $\pm$ 10 %
<b>Power consumption</b>	Dimensioning: 6.8 VA (24 V AC); 3.3 W (24 V DC) nominal: 5.3 VA (24 V AC); 2.7 W (24 V DC)
<b>Start up load</b>	For short periods max. 12 A
<b>Drive</b>	Steady control 0 - 10 V DC; < 0.5 mA
<b>Connection</b>	Fixed pre-assembled cable 1.5 m; 5 x 0.5 mm <sup>2</sup>
<b>Display</b>	LED display for operating voltage and status
<b>Motor deactivation</b>	Drive stem: - extending = load-dependent - retracting = travel-dependent
<b>Piston stroke</b>	Max. 4 mm
<b>Floating time</b>	22 s/mm
<b>Emergency floating time</b>	about 5 s/mm
<b>Operating power</b>	Nominal 150 N
<b>Position indicator</b>	Stroke scale
<b>Position feedback</b>	2 - 10 V; DC, 5 mA for 0 -100 % travel
<b>Emergency control function</b>	Emergency end position adjustable
<b>Valve anti-blocking function</b>	Active
<b>Permissible fluid temperature in the valve</b>	0 °C - 120 °C

<b>Ambient temperature</b>	0 °C - 50 °C
<b>Ambient humidity</b>	0 - 85% r.h., not condensing
<b>Protection class</b>	IP54
<b>Protective system</b>	Degree of protection
<b>Installation position</b>	360°
<b>Maintenance</b>	maintenance-free
<b>Weight</b>	250 g

## 2.1 Construction



Illust. 1: Side view



Illust. 2: Front view

**OVENTROP**  
**GmbH & Co. KG**  
Paul-Oventrop-Straße 1  
59939 Olsberg  
GERMANY  
**[www.oventrop.com](http://www.oventrop.com)**

1012717\_DA

V01.01.2020