

Tender specification:

Oventrop cast iron "Y" type strainer, both ports flanged, PN 16. Fitted with stainless steel basket.

Body and cover made of cast iron (DN 15 - DN 300) or nodular cast iron (DN 350 - DN 600). Wire basket made of stainless steel. Asbestos free gasket.

PN 16, 0 °C up to 120 °C

Round flanges according to DIN EN 1092-2, PN 16

Technical data:

Max. operating pressure p_s : 16 bar (PN 16)

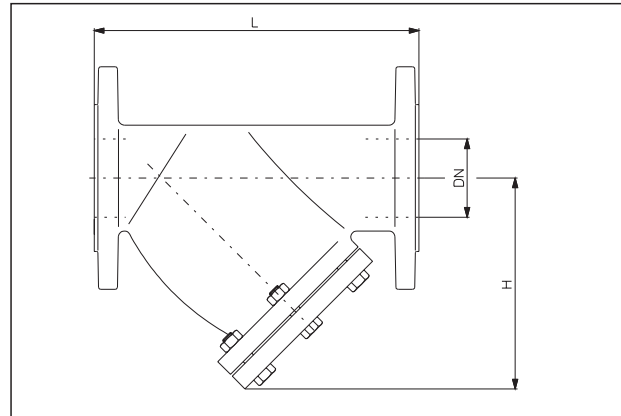
Operating temperature t_s : 0 °C up to 120 °C

Application:

The cast iron "Y" type strainers are installed in the supply and return pipe of central heating and cooling systems with closed circuits. They are suitable for the operation with non-aggressive, harmless fluids (e.g. water or suitable water and glycol mixtures according to VDI 2035/ÖNORM 5195).

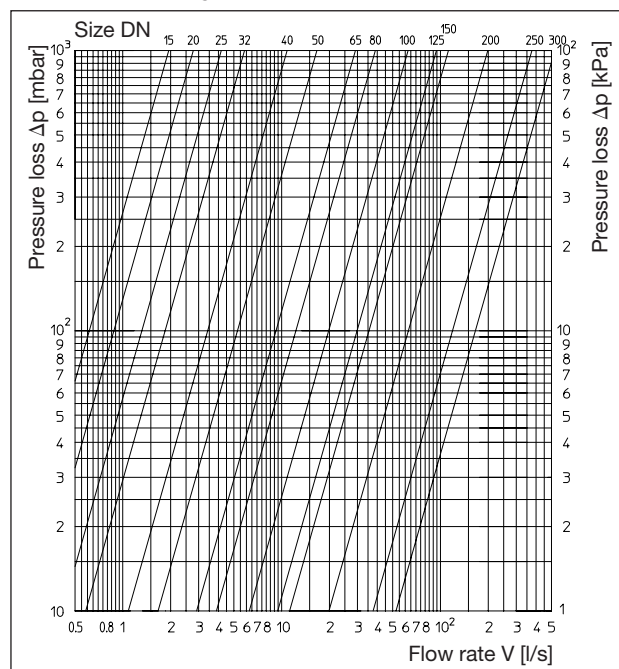
Material:

Body and bonnet made of cast iron (EN-GJL-250 DIN EN 1561, DN 15 - DN 300) or nodular cast iron (EN-GJS-500-7 DIN EN 1563, DN 350 - DN 600); wire basket made of stainless steel; asbestos free gasket.



DN	Mesh size	L	H	kg
15	1.0	130	85	3
20	1.0	150	90	4
25	1.0	160	95	5
32	1.0	180	105	7
40	1.5	200	120	8
50	1.5	230	148	11
65	1.5	290	193	16
80	1.5	310	205	18
100	1.5	350	245	27
125	1.5	400	295	38
150	1.5	480	325	47
200	2.0	600	390	85
250	2.0	730	460	145
300	2.0	850	500	200
350	3.0	960	750	320
400	3.0	1079	840	410
450	3.0	1168	910	540
500	3.0	1275	970	670
600	3.0	1450	1160	970

Dimensions and weights



Flow chart

Size:

k_{VS} value

Item no.:

DN 15	7	1122045
DN 20	10	1122046
DN 25	15	1122047
DN 32	21	1122048
DN 40	39	1122049
DN 50	60	1122050
DN 65	105	1122051
DN 80	140	1122052
DN 100	225	1122053
DN 125	340	1122054
DN 150	405	1122055
DN 200	715	1122056
DN 250	1355	1122057
DN 300	1890	1122058
DN 350	2970	1122059
DN 400	4150	1122060
DN 450	5540	1122061
DN 500	6850	1122062
DN 600	9280	1122063

Subject to technical modifications without notice.

Product range 2.3
ti 122-EN/10/MW
Edition 2020