



The Oventrop Quality Management System is certified to DIN-EN-ISO 9001

Cast iron swing check valve PN 16

Technical information

Tender specification:

Oventrop cast iron swing check valve, both ports flanged PN16.
 Body and cover made of cast iron. Valve seat made of brass.
 Asbestos free gaskets.
 PN 16, -10°C up to +120°C
 Max. flow velocity: 3 m/s
 Round flanges according to DIN EN 1092-2, PN 16 BS 4504, PN 16.

Function:

Oventrop cast iron swing check valves are suitable for non-aggressive fluids, for horizontal or vertical installation in the pipework.

In case of vertical flow direction, installation is only permissible if the flap can be opened upwards.

In case of horizontal flow direction, the flap suspension must point upwards.

Cast iron swing check valves are not suitable for use on pulsating flow and must be installed with a minimum of 10 D (10x nominal pipe diameter) of straight pipe behind the pump.

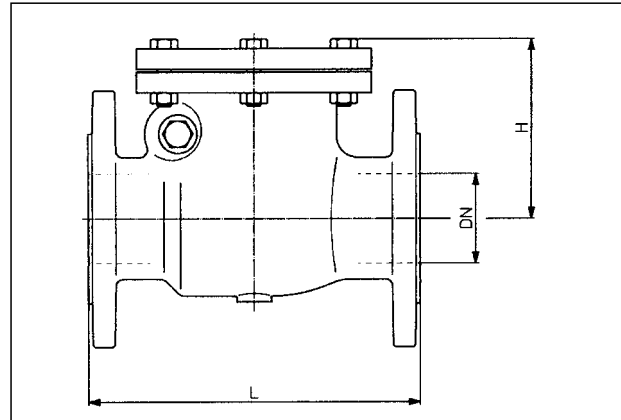
Material:

Body and cover made of cast iron (GG 25/EN-GJL-250 DIN EN 1561). Valve seat made of brass. Asbestos free gaskets.

Application:

Central heating and cooling systems, non-aggressive fluids up to 120°C, CE marking on size DN 150 and above according to guideline 97/23/EG.

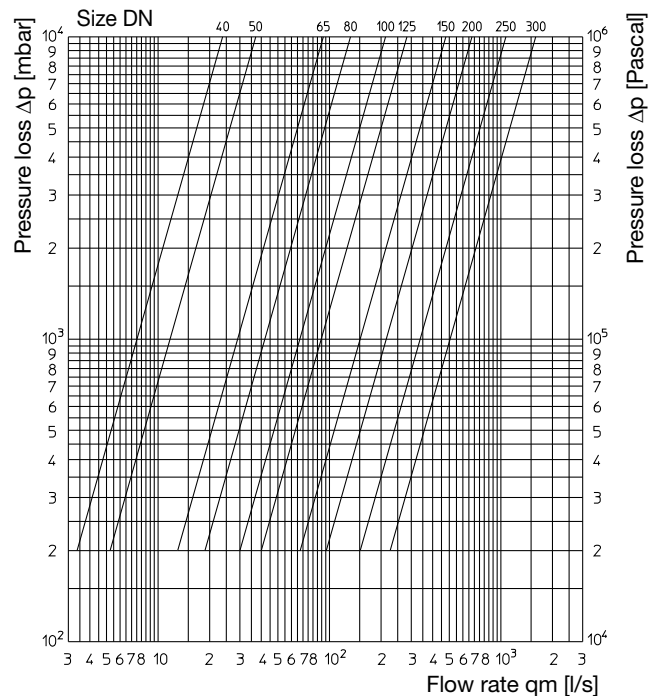
Dimensions:



DN	L	H	Kg
40	180	115	8
50	200	125	10
65	240	130	15
80	260	140	20
100	300	160	26
125	350	180	35
150	400	200	48
200	500	220	72
250	600	290	138
300	700	330	195

Size	Item no.	kvs value
DN 40	107 30 49	85
DN 50	107 30 50	132
DN 65	107 30 51	326
DN 80	107 30 52	490
DN 100	107 30 53	770
DN 125	107 30 54	1020
DN 150	107 30 55	1700
DN 200	107 30 56	2410
DN 250	107 30 57	3870
DN 300	107 30 58	5670

Flow chart:



Subject to technical modification without notice.

Product range 5
 ti 120-1/10/MW
 Edition 2005

OVENTROP UK LTD.
 Unit 1 – The Loddon Centre
 Wade Road
 Basingstoke, Hampshire RG24 8FL
 Telephone (0 12 56) 3304 41
 Telefax (Sales) (0 12 56) 3305 25
 Telefax (General) (0 12 56) 4709 70
 E-Mail sales@oventrop.co.uk

F. W. OVENTROP GmbH & Co. KG
 Paul-Oventrop-Straße 1
 D-59939 Olsberg
 Telephone (02962) 82 - 0
 Telefax (02962) 82 - 450
 Internet www.oventrop.de
 E-Mail mail@oventrop.de



Wafer swing check valve PN 16

Technical information

Tender specification:

Oventrop wafer swing check valve suitable for mounting between PN 16 flanges.

Body and flap made of nickel plated steel.

EPDM seal. Retaining pin of the flap made of stainless steel.

PN 16, -10°C up to +120°C

Max. flow velocity: 3 m/s

Function:

Oventrop wafer swing check valves are suitable for non-aggressive fluids, for horizontal or vertical installation in the pipework.

In case of vertical flow direction, installation is only permissible if the flap can be opened upwards.

In case of horizontal flow direction, the flap suspension must point upwards.

Oventrop wafer swing check valves are not suitable for use on pulsating flow and must be installed with a minimum of 10 D (10 x nominal pipe diameter) of straight pipe behind the pump.

Material:

Body and flap made of nickel plated steel.

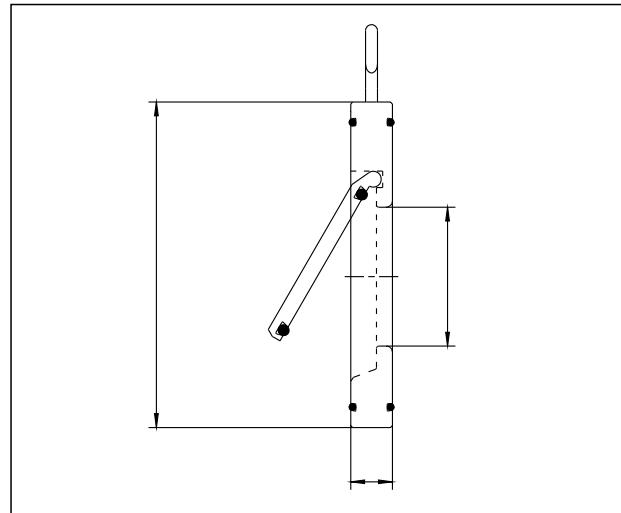
EPDM seal. Retaining ring of the flap made of stainless steel.

Application:

Central heating and cooling systems, non-aggressive fluids up to 120°C, CE marking on size DN 150 and above according to guideline 97/23/EG.

Size	kv value	Item no.
DN 65	72	107 25 51
DN 80	125	107 25 52
DN 100	205	107 25 53
DN 125	400	107 25 54
DN 150	590	107 25 55
DN 200	1050	107 25 56
DN 250	1800	107 25 57
DN 300	2300	107 25 58

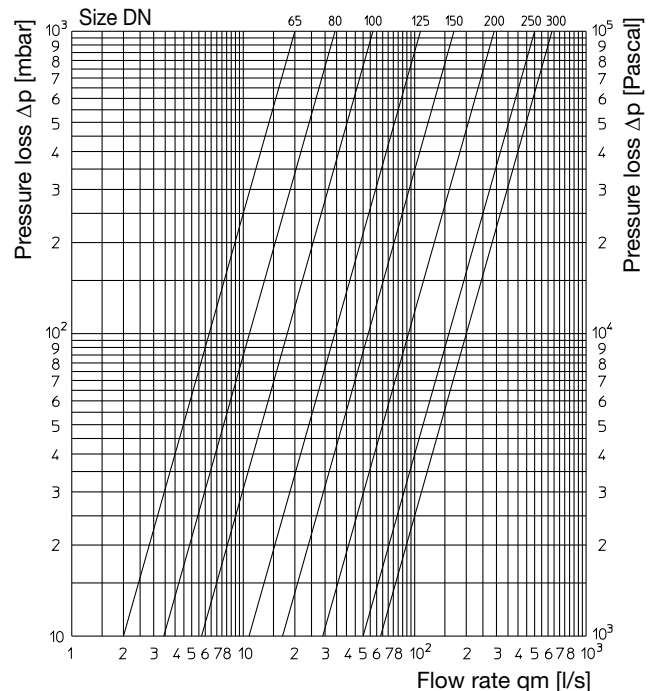
Dimensions:



DN	A	B	C	Min*	KG
65	124	14	40	62.7	1.2
80	137	14	54	77.9	1.5
100	164	18	70	102.3	2.4
125	195	18	92	128.2	3.4
150	216	20	112	154.1	4.6
200	273	22	154	202.7	7.5
250	330	26	200	254.5	13.1
300	380	32	240	304.9	20.4

* Min. refers to the minimum pipe bore

Flow chart:



Subject to technical modification without notice.

Product range 5
ti 121-1/10/MW
Edition 2005

OVENTROP UK LTD.
Unit I – The Loddon Centre
Wade Road
Basingstoke, Hampshire RG24 8FL
Telephone (0 1256) 330441
Telefax (Sales) (0 1256) 330525
Telefax (General) (0 1256) 47 09 70
E-Mail sales@oventrop.co.uk

F. W. OVENTROP GmbH & Co. KG
Paul-Oventrop-Straße 1
D-59939 Olsberg
Telephone (02962) 82-0
Telefax (02962) 82-450
Internet www.oventrop.de
E-Mail mail@oventrop.de