



Room and return temperature control
"Unibox TQ-RTL vario"
Data sheet



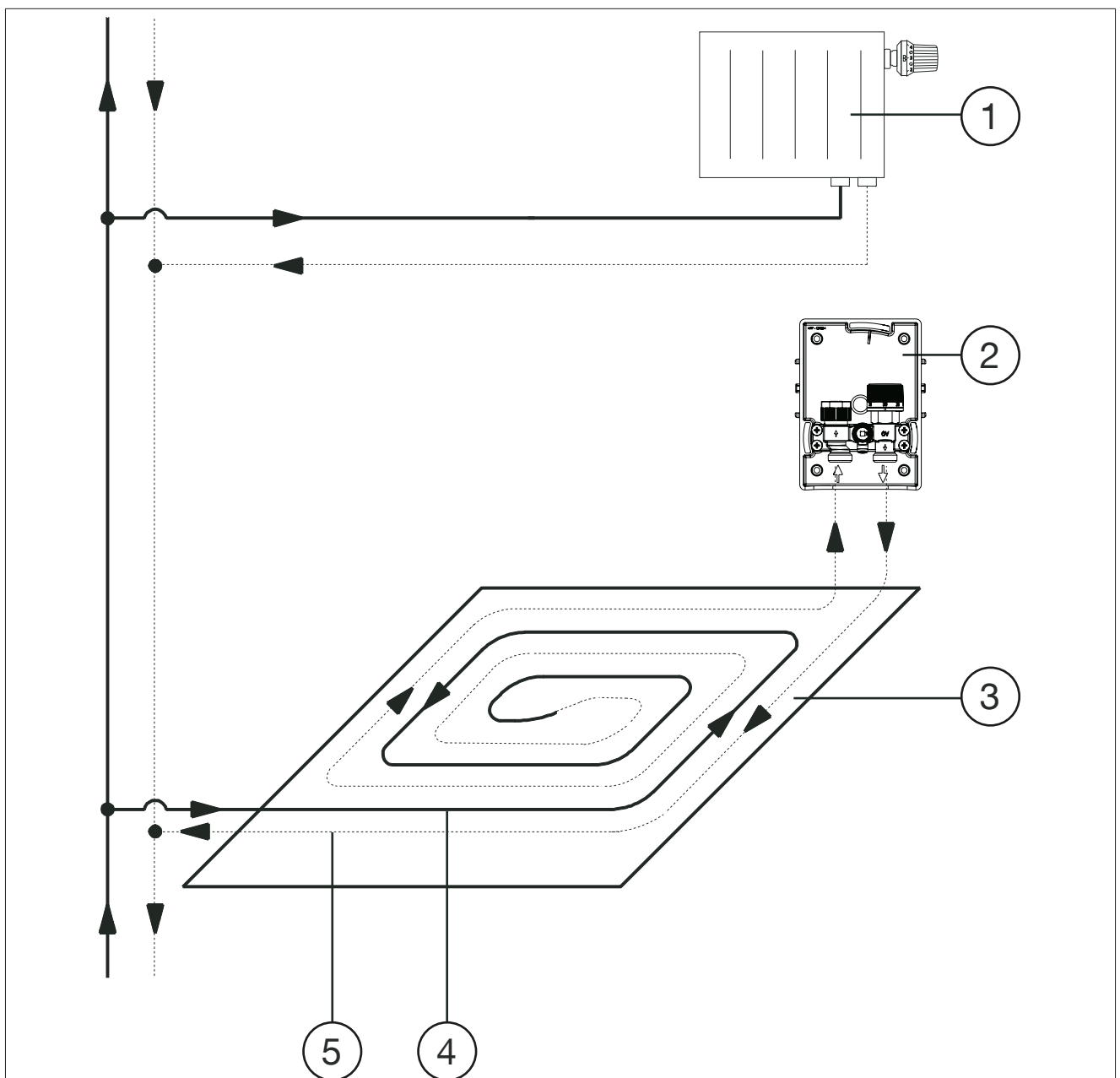
1. Functional description

The “Unibox TQ-RTL vario” is used for return temperature limitation in a surface temperature regulation system. Room temperature control is also possible by mounting a thermostat with remote control “Uni FH” or a room thermostat and an actuator.

The integrated infinitely adjustable, diaphragm controlled and differential pressure independent valve insert “QA” allows for an automatic flow control (hydraulic balancing) of the surface temperature regulation system. The flow control unit integrated in the valve insert maintains the differential pressure at a constant level via the presetting and regulating cross-section of the valve.

The installation position of the “Unibox TQ-RTL vario” has to be chosen so that heating fluid passes first through the heating circuit and then through the valve of the “Unibox TQ-RTL vario”. On its way from the entry into the heating surface to the “Unibox TQ-RTL vario”, the heating fluid cools down. The flow rate is controlled by the sensor element being in touch with the heating fluid. The automatic thermostat controls the desired room temperature. You can modify the surface temperature by turning the handwheel of the return temperature limiter. You can set the desired room temperature by turning the handgrip of the automatic thermostat.

1.1 Connection



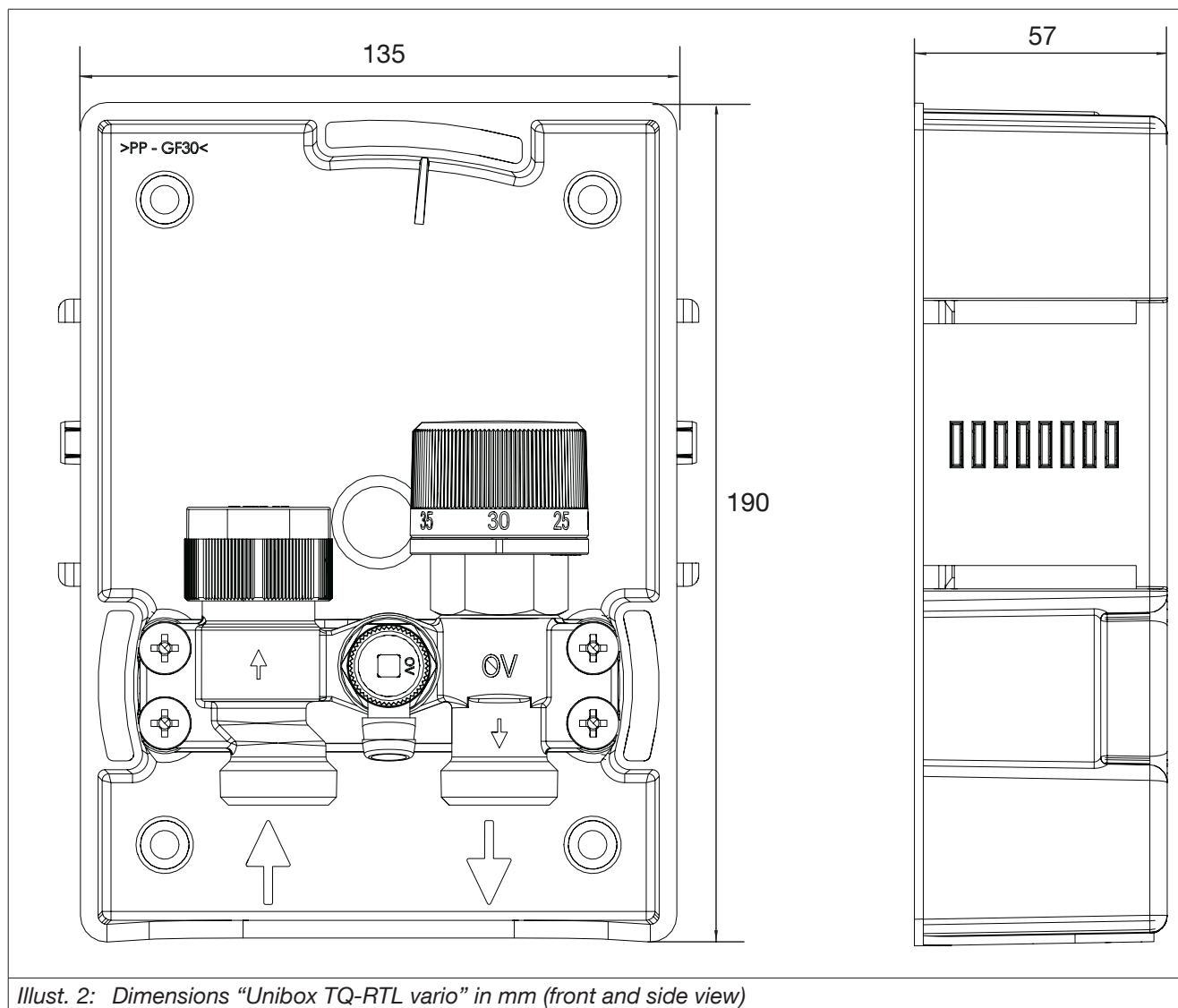
Illust. 1: Connection

(1)	Radiator
(2)	“Unibox TQ-RTL vario”
(3)	Surface temperature regulation circuit
(4)	Supply
(5)	Return

1.2 Technical data

Max. operating temperature t_s	100°C
Max. operating pressure p_s	10 bar
Control range	10-170 l/h
Installation depth	57 mm
Thermostat connection thread	M30x1.5
Fluid	Water, mixtures of water and glycol

1.2.1 Dimensions



Illust. 2: Dimensions “Unibox TQ-RTL vario” in mm (front and side view)

OVENTROP
GmbH & Co. KG
Paul-Oventrop-Straße 1
59939 Olsberg
GERMANY
www.ventrop.com

1022736_DA

V01.12.2019